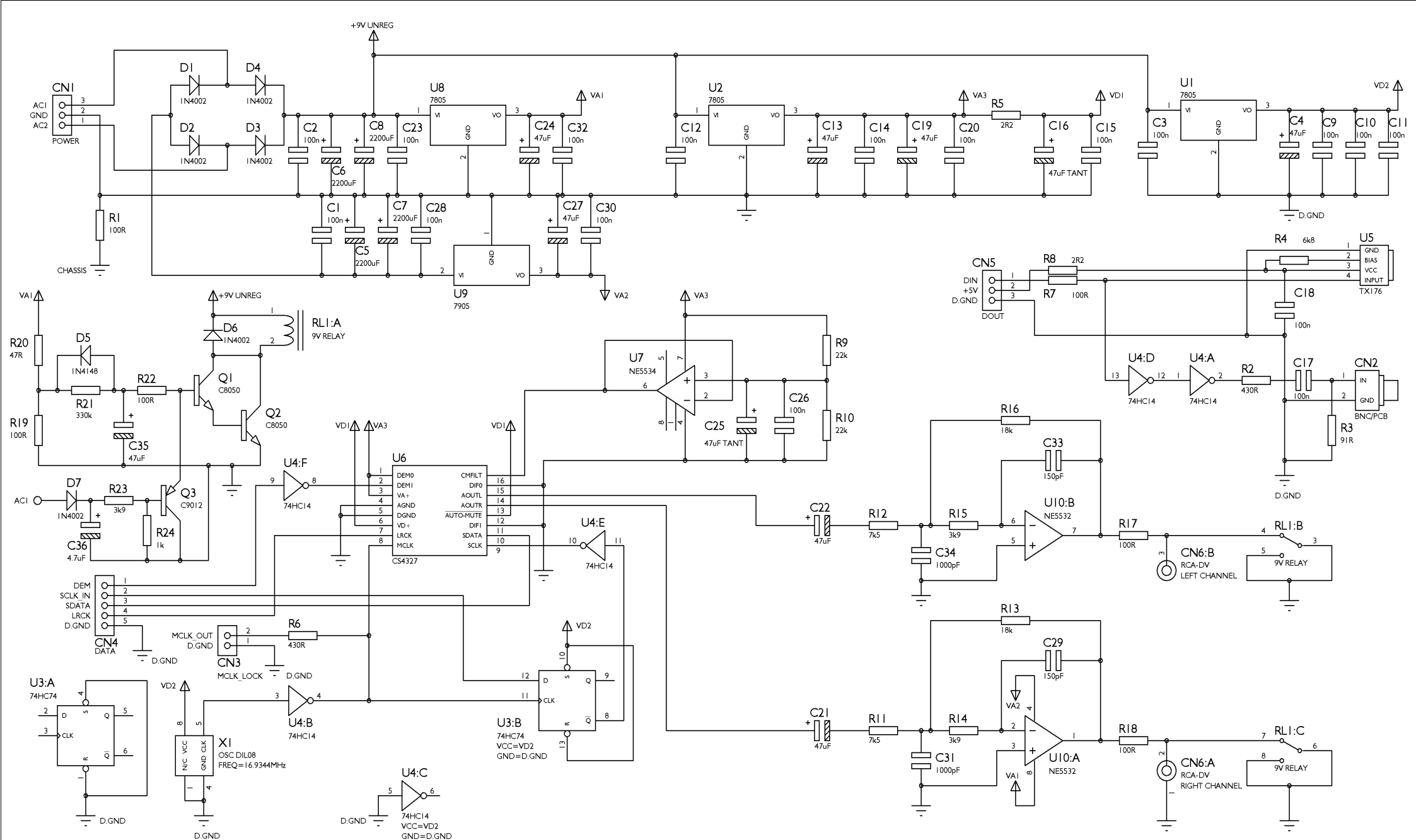


© COPYRIGHT
 The Audio Partnership
 Garry Clark
 Henry Place
 LONGCOTE SE143D
 Tel: +44 (0) 171 940 2200
 Fax: +44 (0) 171 940 2233

GENERAL NOTES
 1. UN- NOT USED
 2.
 3.
 4.
 5.

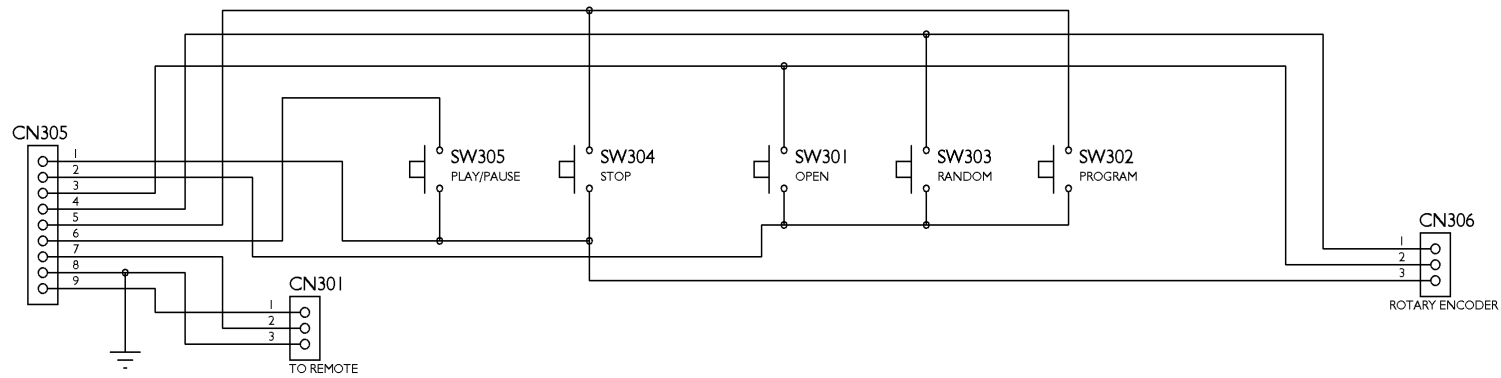
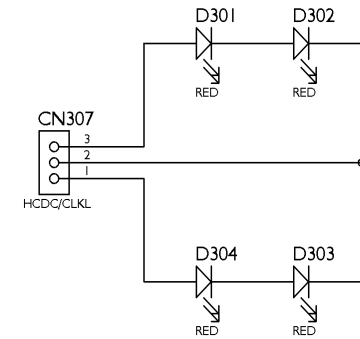
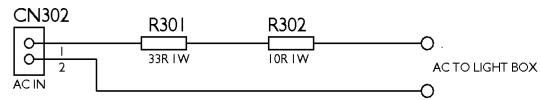
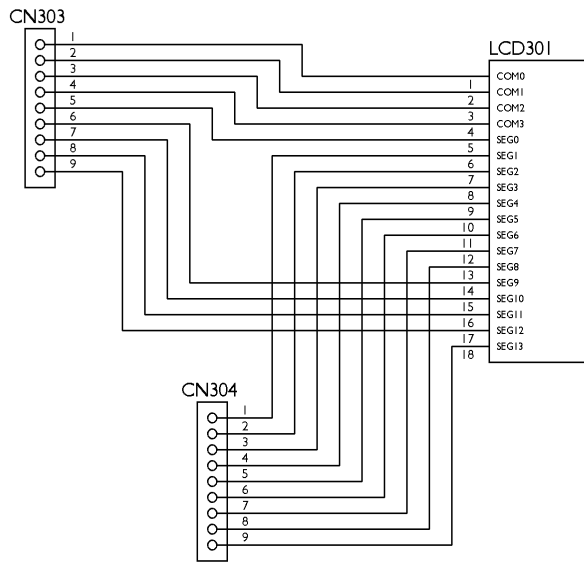
DRAWING TITLE AP SERVO PCB	DRAWN BY GC
SHEET TITLE	DATE 12/01/99
DRAWING No. AP10648/H	CHECKED BY
PAGE 1/2	



© COPYRIGHT
The Audio Partnership
 Gallery Court
 Hankey Place
 LONDON SE1 4BB
 Tel: +44 (0)171 940 2200
 Fax: +44 (0)171 940 2233

- GENERAL NOTES
- 1.
 - 2.
 - 3.
 - 4.
 - 5.

DRAWING TITLE CS4327 DAC 1		DRAWN BY NF	
SHEET TITLE COMPLETE SYSTEM		DATE 11/03/99	
DRAWING No. API0251/5	PAGE 1/1	CHECKED BY	



© COPYRIGHT

The Audio Partnership
 Gallery Court
 Hankey Place
 LONDON SE1 4BB

Tel : +44 (0)171 940 2200
 Fax : +44 (0)171 940 2233

GENERAL NOTES

- 1.
- 2.
- 3.
- 4.
- 5.

DRAWING TITLE
 D Series CD PLAYER FRONT PANEL

SHEET TITLE

DRAWING No. AP10532/4

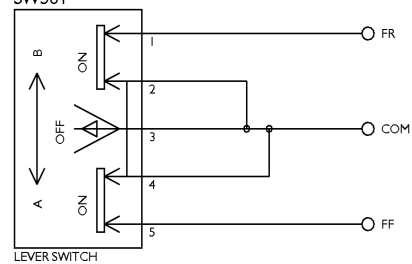
DRAWN BY SC

DATE 12/07/99

PAGE 1/1

CHECKED BY

SW501



© COPYRIGHT

The Audio Partnership

Gallery Court
Hankey Place
LONDON SE1 4BB

Tel : +44 (0)171 940 2200
Fax : +44 (0)171 940 2233

GENERAL NOTES

- 1.
- 2.
- 3.
- 4.
- 5.

DRAWING TITLE

CD PLAYER SHUTTLE SWITCH PCB

SHEET TITLE

DRAWING No.

AP10704/1

PAGE

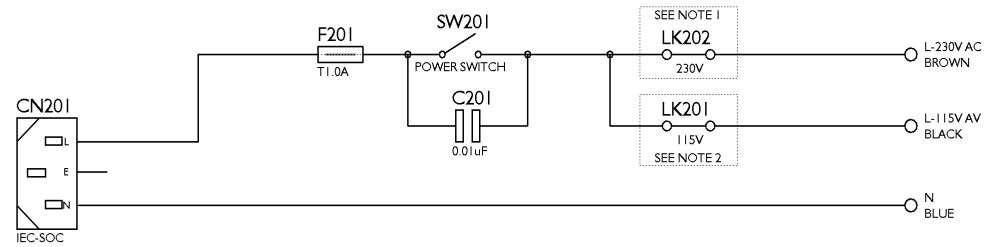
1/1

DRAWN BY SC

DATE

05/01/99

CHECKED BY



© COPYRIGHT

The Audio Partnership

Gallery Court
Hankey Place
LONDON SE1 4BB

Tel : +44 (0)171 940 2200
Fax : +44 (0)171 940 2233

GENERAL NOTES

1. LK202 IS ONLY FITTED IN UK & EU PRODUCTS
2. LK201 IS ONLY FITTED IN CU PRODUCTS.
- 3.
- 4.
- 5.

DRAWING TITLE
Power Switch & IEC PCB Schemat

SHEET TITLE

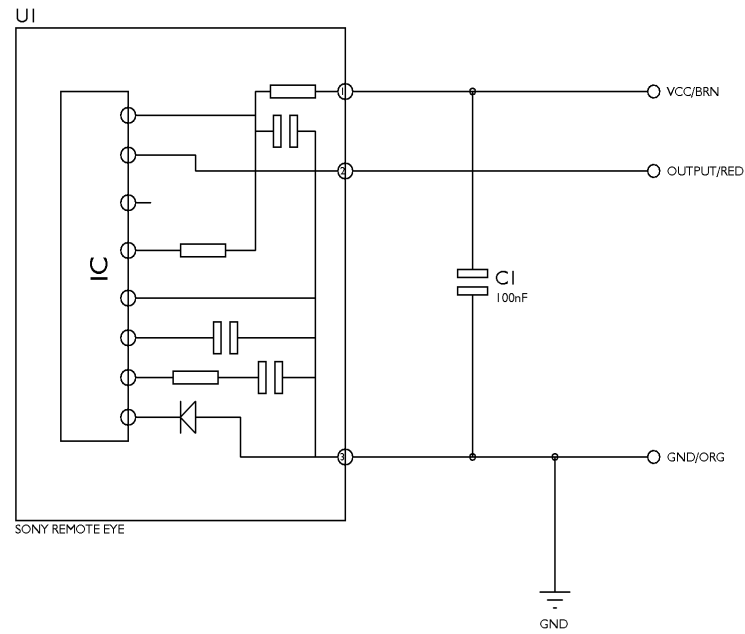
DRAWING No. AP10495/1

PAGE 1/1

DRAWN BY SC

DATE 25/01/99

CHECKED BY



© COPYRIGHT

The Audio Partnership

Gallery Court
Hankey Place
LONDON SE1 4BB

Tel: +44 (0)171 940 2200
Fax: +44 (0)171 940 2233

GENERAL NOTES

- 1.
- 2.
- 3.
- 4.
- 5.

DRAWING TITLE

CAMBRIDGE AUDIO REMOTE EYE PCB

SHEET TITLE

DRAWING No.

AP10715/1

PAGE

1/1

DRAWN BY
SC

DATE
19/01/99

CHECKED BY