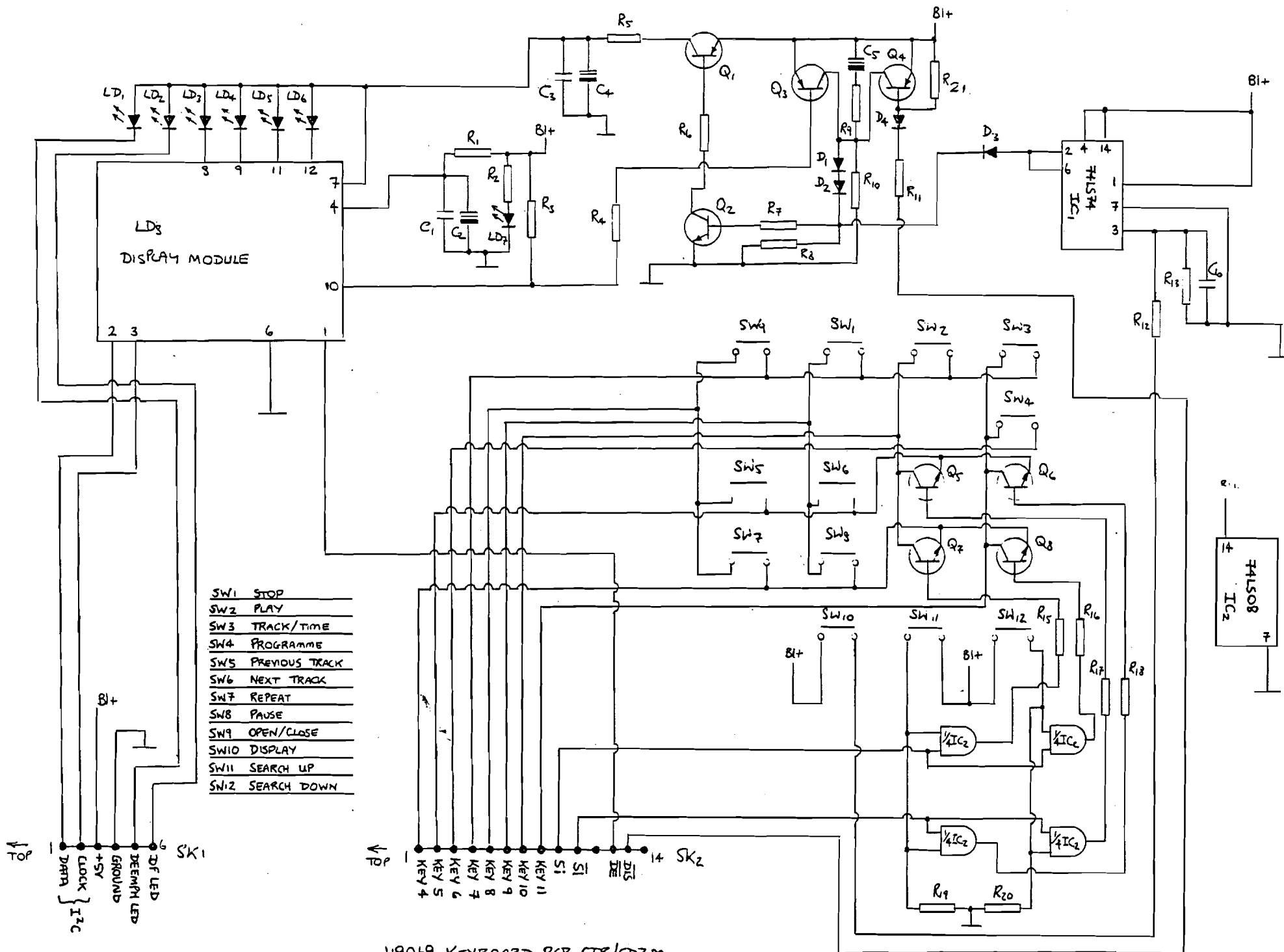
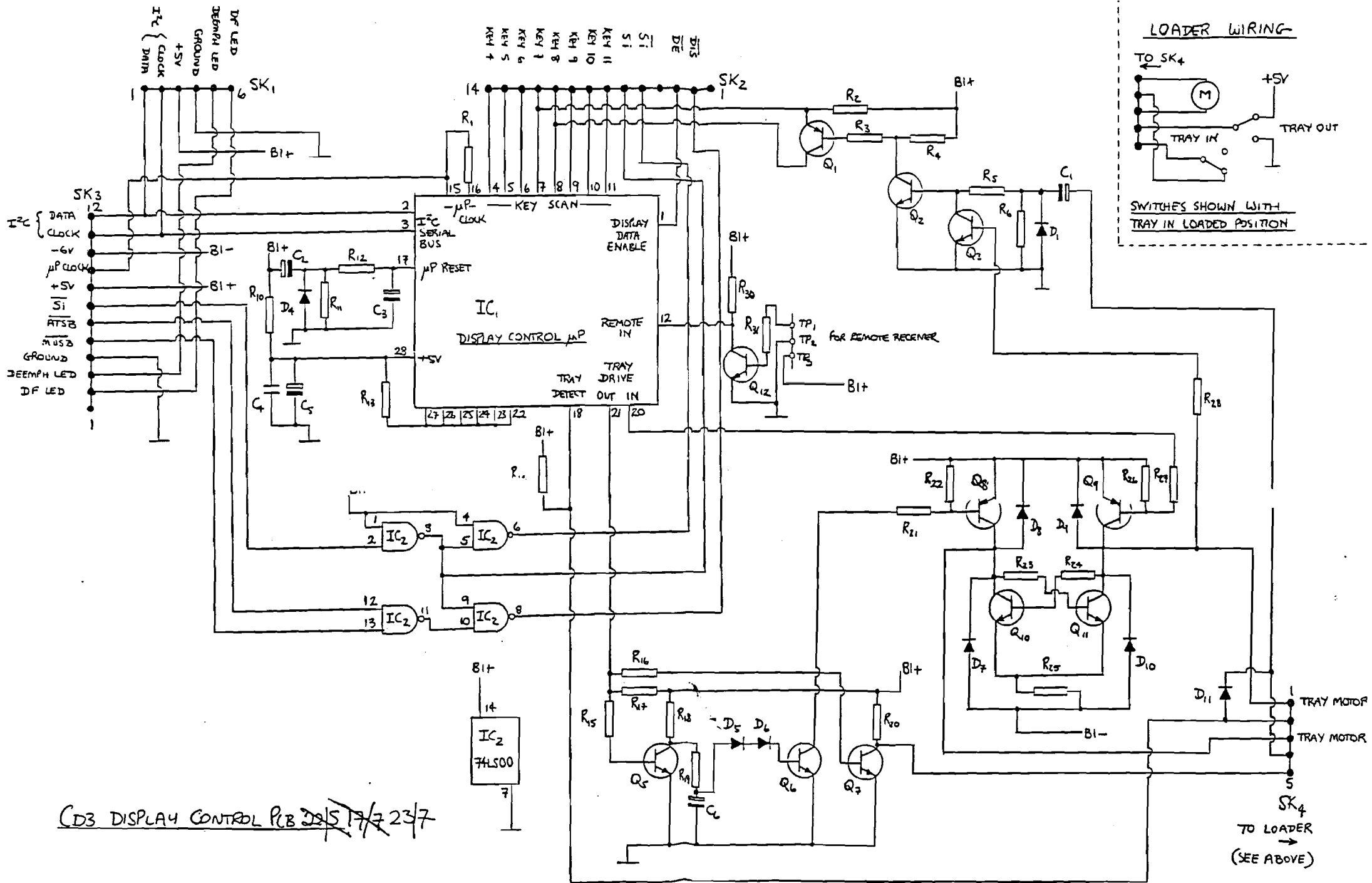


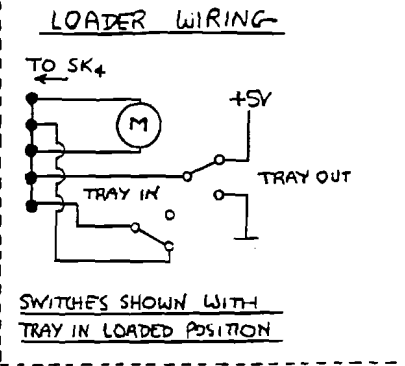
119068 DIGITAL PCB CD3



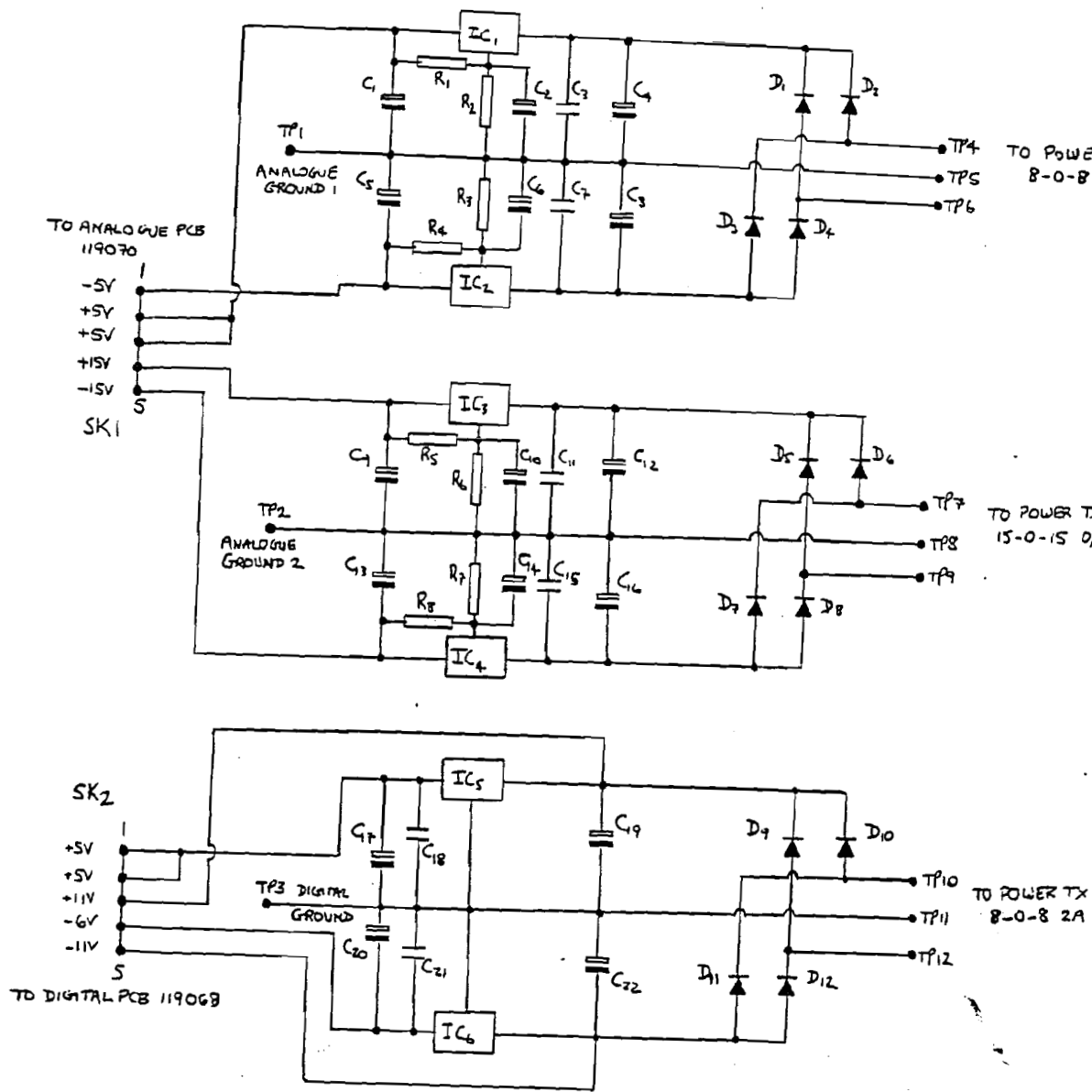
319069 KEYBOARD PCB CDS/CD3M



CD3 DISPLAY CONTROL PCB 20/5/77 23/7

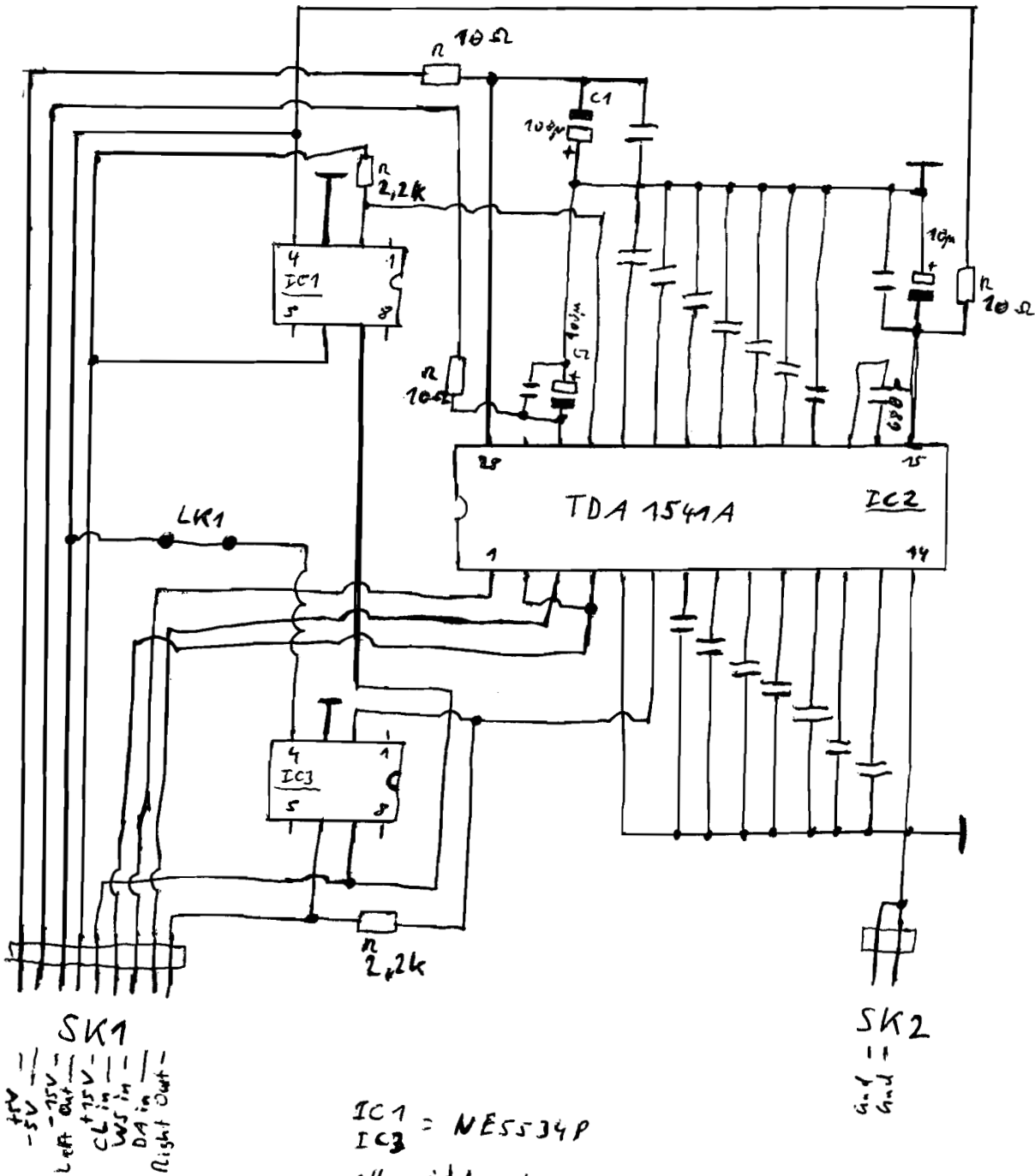


SK4
TO LOADER
→
(SEE ABOVE)



119066 POWER SUPPLY PCB CP3/CD3M

Cambridge Audio CD-3 DAC-Boards (PCB 119016)



IC1 = NE5534P
 IC3
 alle nicht gekennzeichneten C := 220n