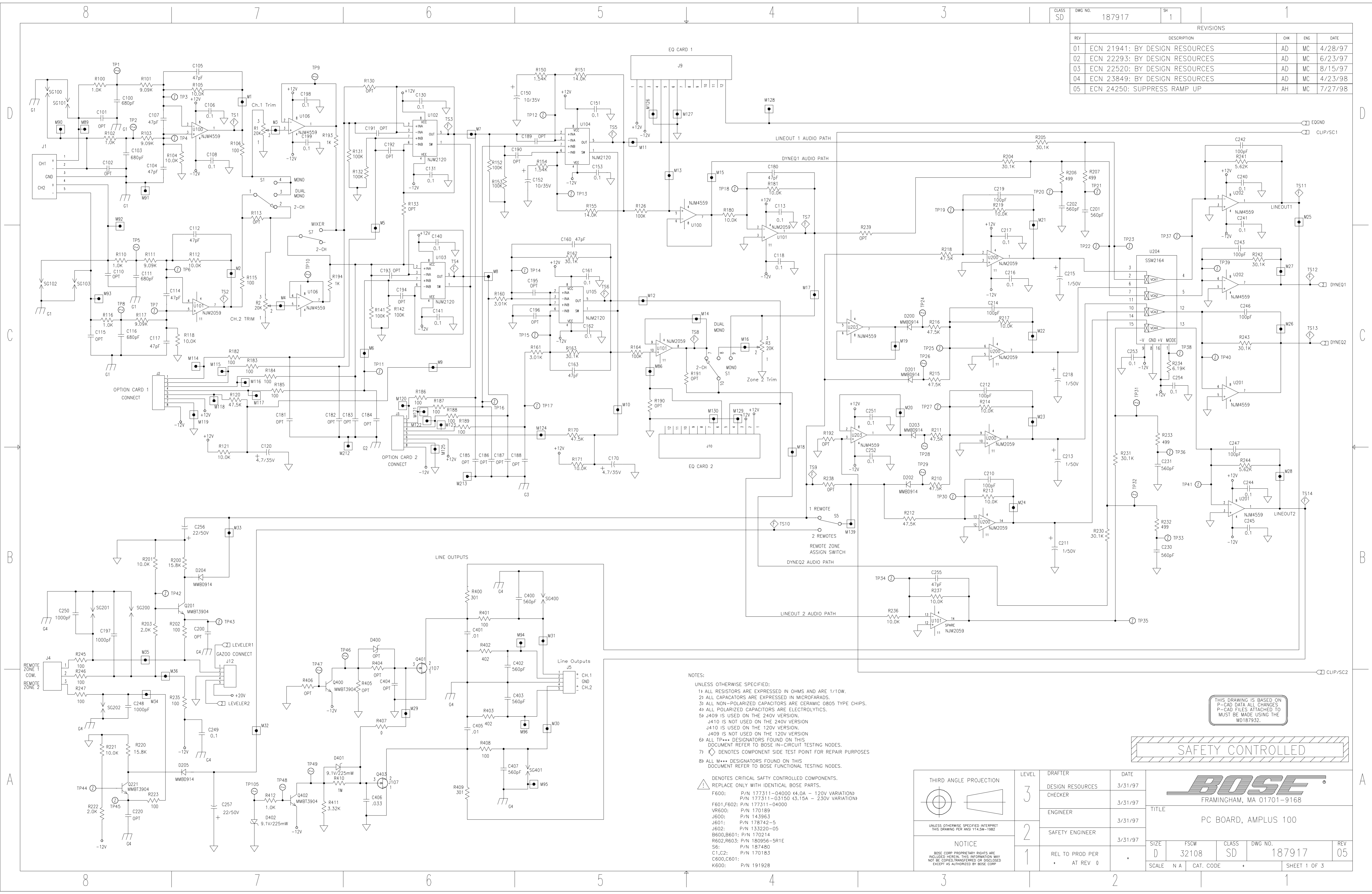


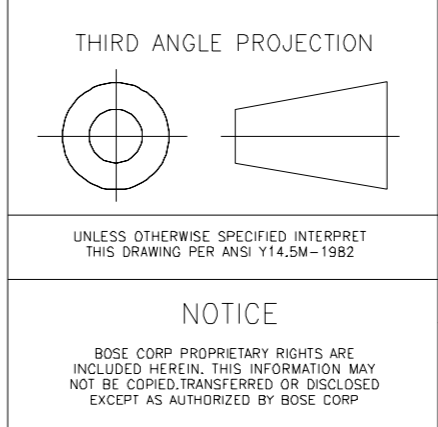
CLASS	DWG NO.	SR	REVISIONS		
SD	187917	1	REV	DESCRIPTION	CHK
			01	ECN 21941: BY DESIGN RESOURCES	AD MC 4/28/97
			02	ECN 22293: BY DESIGN RESOURCES	AD MC 6/23/97
			03	ECN 22520: BY DESIGN RESOURCES	AD MC 8/15/97
			04	ECN 23849: BY DESIGN RESOURCES	AD MC 4/23/98
			05	ECN 24250: SUPPRESS RAMP UP	AH MC 7/27/98



- NOTES:
- 1) ALL RESISTORS ARE EXPRESSED IN OHMS AND ARE 1/10W.
  - 2) ALL CAPACITORS ARE EXPRESSED IN MICROFARADS.
  - 3) ALL NON-POLARIZED CAPACITORS ARE CERAMIC 0805 TYPE CHIPS.
  - 4) ALL POLARIZED CAPACITORS ARE ELECTROLYTICS.
  - 5) J409 IS USED ON THE 240V VERSION. J410 IS NOT USED ON THE 120V VERSION.
  - 6) ALL TP\*\*\* DESIGNATORS FOUND ON THIS DOCUMENT REFER TO BOSE IN-CIRCUIT TESTING NODES.
  - 7) ♦ DENOTES COMPONENT SIDE TEST POINT FOR REPAIR PURPOSES.
  - 8) ALL M\*\*\* DESIGNATORS FOUND ON THIS DOCUMENT REFER TO BOSE FUNCTIONAL TESTING NODES.
- ♦ DENOTES CRITICAL SAFETY CONTROLLED COMPONENTS. REPLACE ONLY WITH IDENTICAL BOSE PARTS.
- F600: P/N 177311-04000 (4.0A - 120V VARIATION)  
 VR600: P/N 170189  
 J600: P/N 143363  
 J601: P/N 178742-5  
 J602: P/N 133220-05  
 B600,B601: P/N 170214  
 R602,R603: P/N 180956-5R1E  
 S6: P/N 187480  
 C1,C2: P/N 170183  
 C600,C601: P/N 191928  
 K600: P/N 191928

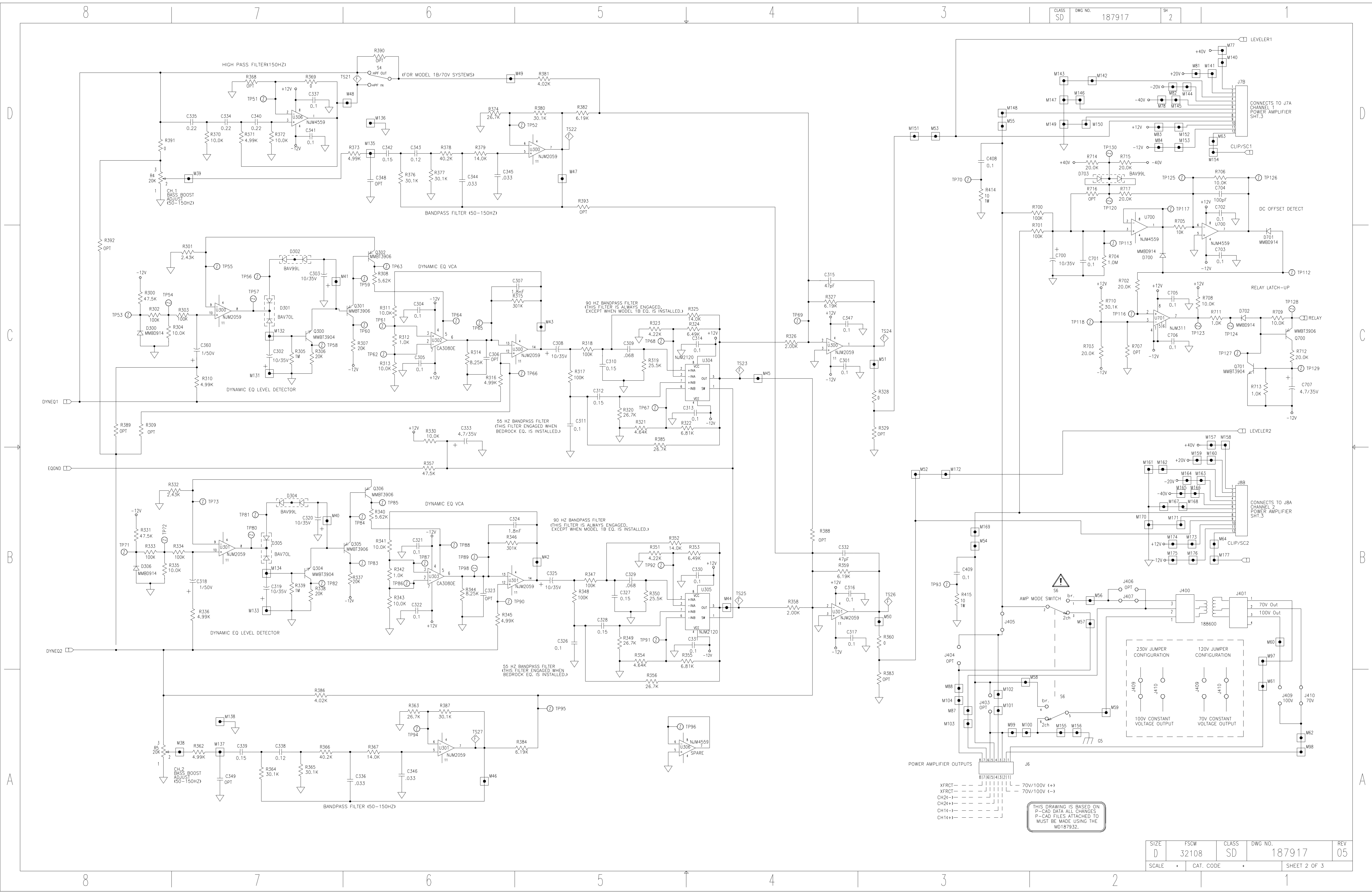
THIS DRAWING IS BASED ON P-CAD DATA. ALL CHANGES P-CAD FILES ATTACHED TO MUST BE MADE USING THE MD187932.

SAFETY CONTROLLED



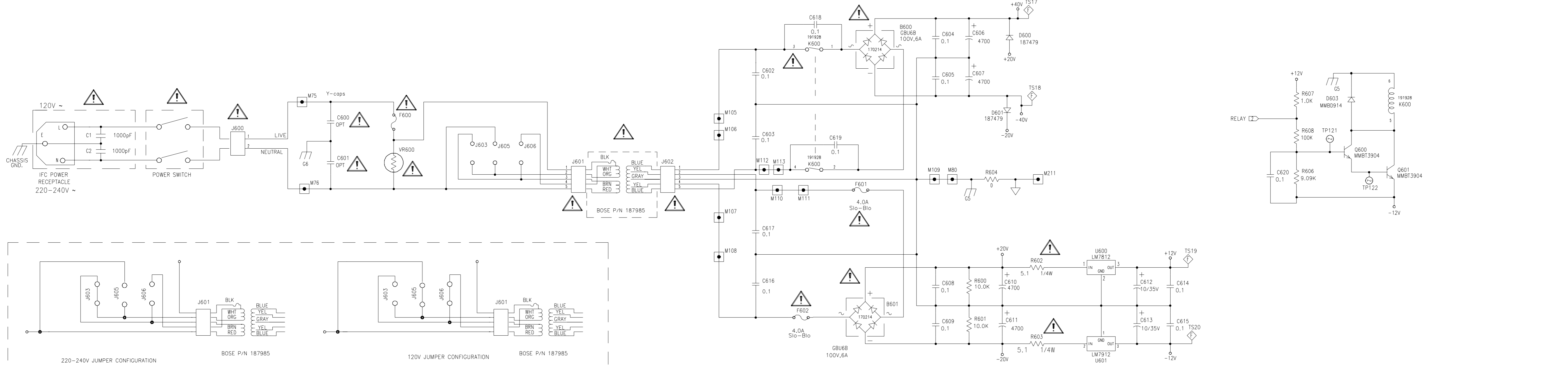
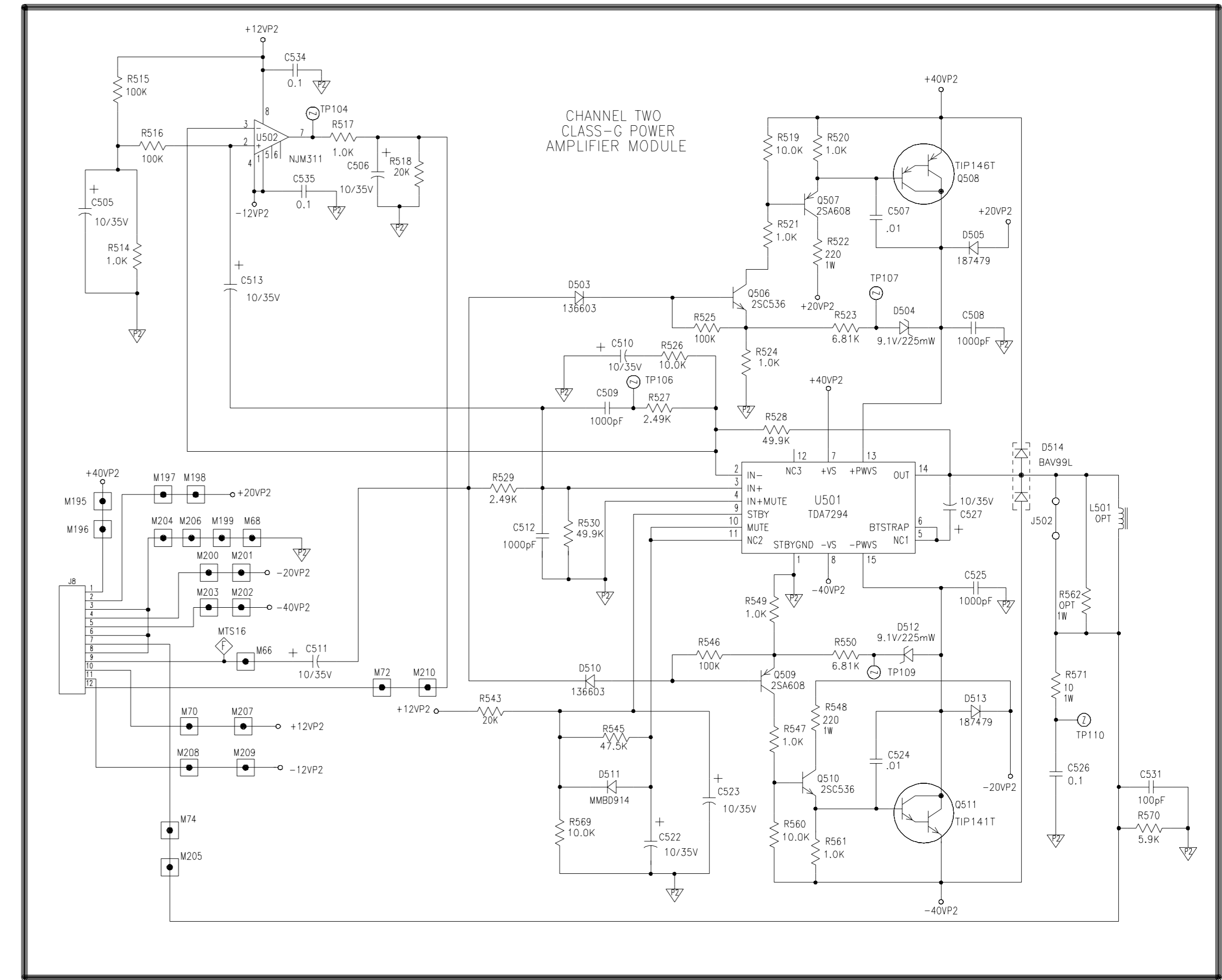
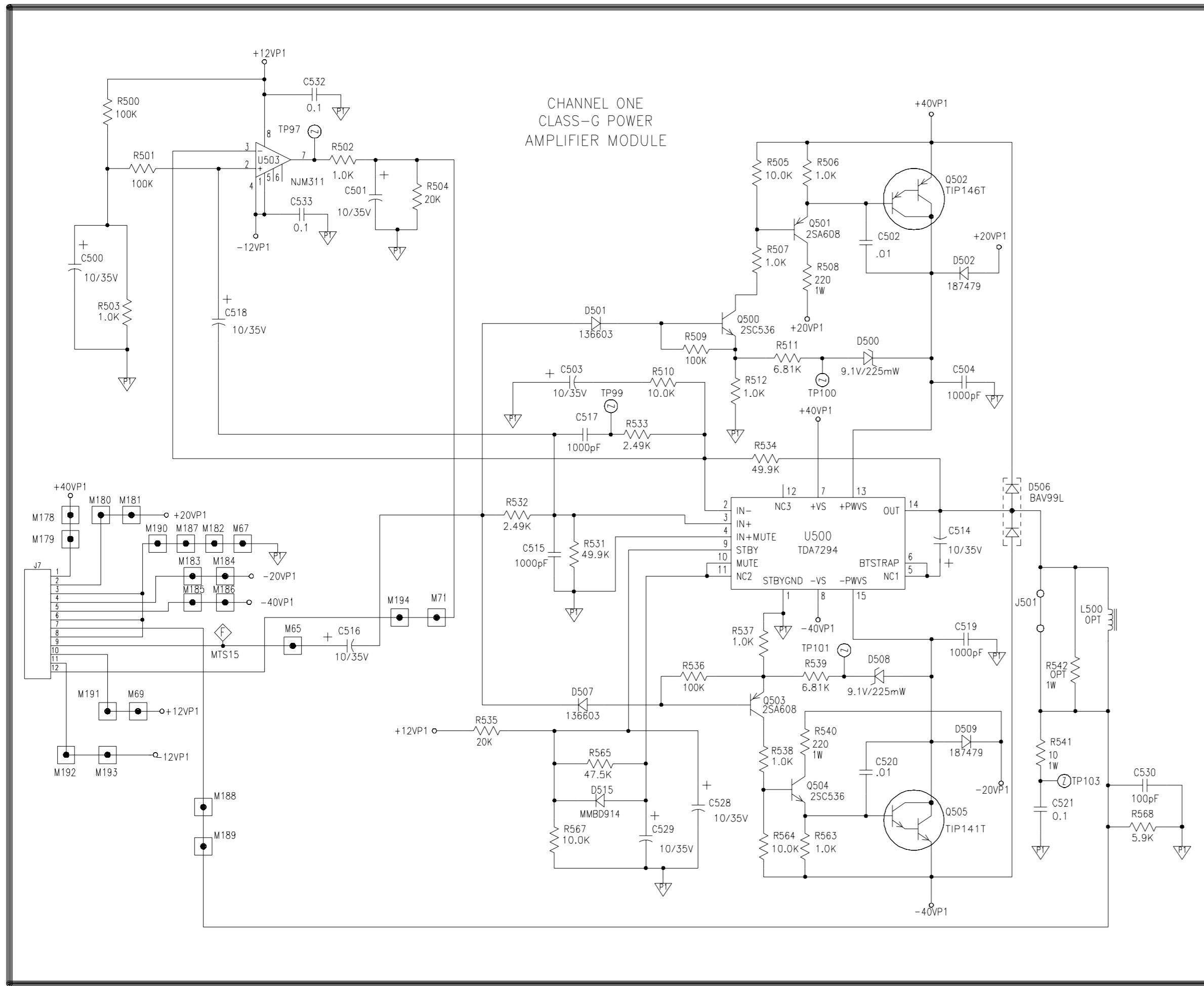
THIRD ANGLE PROJECTION	LEVEL	DRAFTER	DATE
	3	DESIGN RESOURCES	3/31/97
		CHECKER	3/31/97
		ENGINEER	3/31/97
	2	SAFETY ENGINEER	3/31/97
	1	REL TO PROD PER	
		AT REV 0	

TITLE		PC BOARD, AMPLUS 100	
SIZE	FSCM	CLASS	DWG NO.
D	32108	SD	187917
SCALE	N A	CAT. CODE	SHEET 1 OF 3



THIS DRAWING IS BASED ON P-CAD DATA ALL CHANGES P-CAD FILES ATTACHED TO MUST BE MADE USING THE MD187932.

SIZE	FSCM	CLASS	DWG NO.	REV
D	32108	SD	187917	05
SCALE	CAT. CODE	SHEET 2 OF 3		



THIS DRAWING IS BASED ON 3D-CAD DATA ALL CHANGES P-CAD FILES ATTACHED TO MUST BE MADE USING THE M0187932.

SIZE D	FSCM 32108	CLASS SD	DWG NO. 187917	REV 05
SCALE	CAT. CODE	SHEET 3 OF 3		