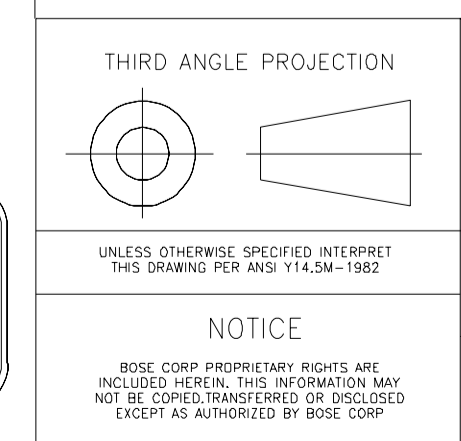


- NOTES:  
UNLESS OTHERWISE SPECIFIED:
- ALL RESISTORS ARE EXPRESSED IN OHMS AND ARE: 0805 - 1/10W, 1%. 0805 - 1/10W, 1%.
  - ALL CAPACITORS ARE EXPRESSED IN MICROFARADS.
  - ALL NON-POLARIZED CAPACITORS ARE CERAMIC CHIPS.
  - ALL POLARIZED CAPACITORS ARE ELECTROLYTICS.
  - ALL DIODES ARE 1N4148.
  - IC SUPPLY PINOUTS:  
CA3280 -> PIN 4 = -11V, PINS 11,14 = +11V  
LM339 -> PIN 3 = +11V, PIN 12 = -11V  
LM339 (U600) -> PIN 3 = +11V, PIN 12 = GND1  
TL074 -> PIN 4 = +11V, PIN 11 = -11V  
4559 -> PIN 4 = -11V, PIN 8 = +11V
  - ⊕ DENOTES TEST POINTS FOR ZENTEL.
  - ⊖ DENOTES TEST POINTS FOR M.E.T.S.
  - SWITCH S601 USED ON DUAL VOLTAGE VERSION ONLY.
  - Y603 USED ON 220-240V VERSION ONLY.
  - Y601, Y602 USED ON 120V VERSION ONLY.
  - FUSE VALUE IS 3.0A FOR 120V & 115V/230V VERSIONS, 1.6A FOR 220-240V.
  - CB-20 (COUCHBOY) VARIATION ONLY
  - M147-M152 USED BY FIELD SERVICE, FUNCTION TEST, REPAIR, AND SUB-ASSY.

- ⚠ DENOTES CRITICAL COMPONENTS. REPLACE ONLY WITH IDENTICAL BOSE PARTS.
- J6: P/N 146563 (120V, 115/230V)  
P/N 145306 (220-240V)
- J7: P/N 172323-5
- S601: P/N 145307 (115/230V)  
F601: P/N 181561-3000 (120V, 115/230V)  
P/N 181561-1600 (220-240V)
- Q605: P/N SGS BTA06-400  
U604: P/N MOC3023T  
B1, B2: P/N 170214



LEVEL	3	DRAFTER	DATE	08-06-97
	2	CHECKER		08/06/97
	1	ENGINEER		08/07/97
		SAFETY ENGINEER		08/07/97
		REL TO PROD PER		08/07/97
		NDI AT REV 00		

SAFETY CONTROLLED

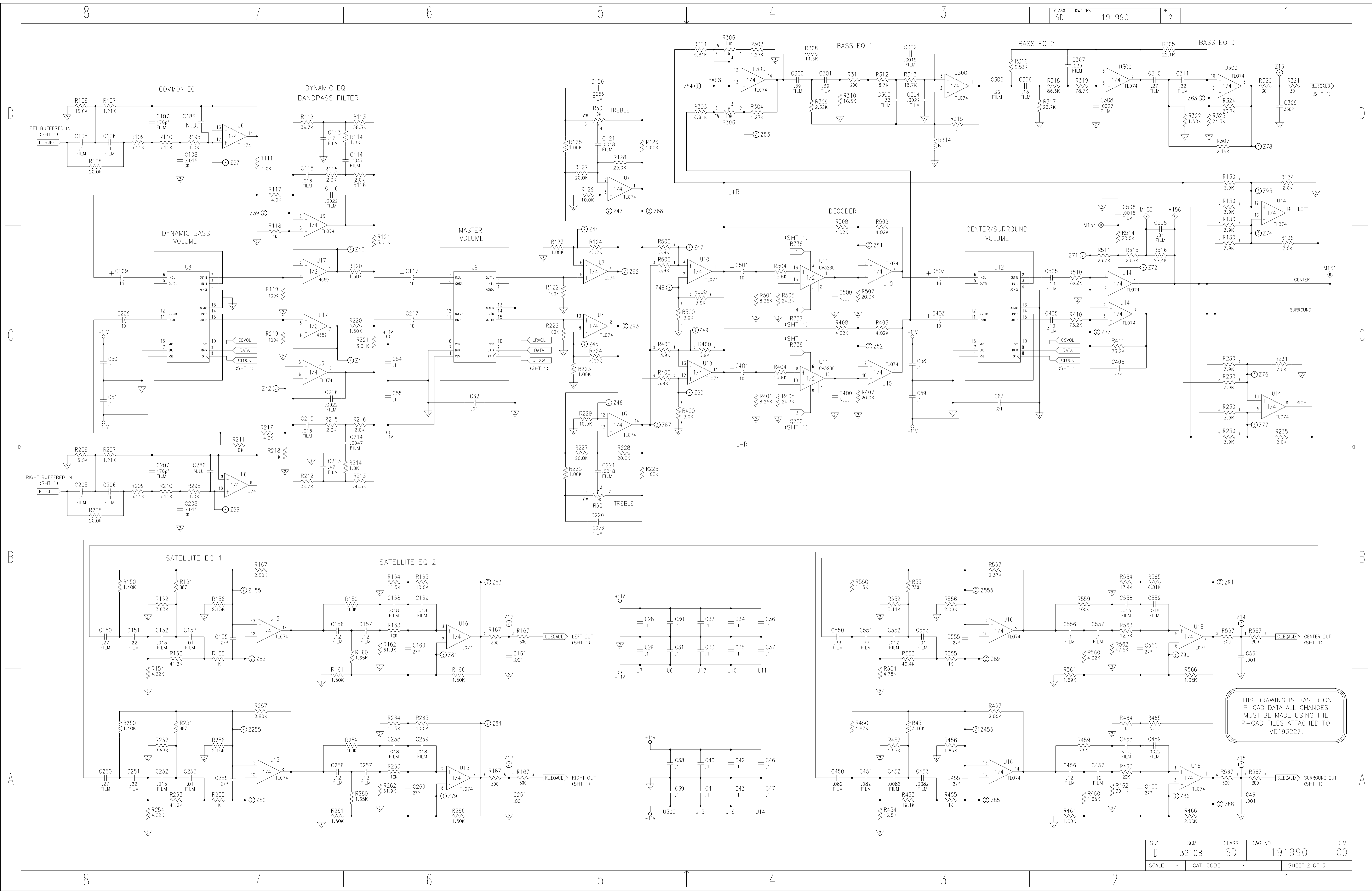
FRAMINGHAM, MA 01701-9168

TITLE: SCHEMATIC AM8P

SIZE	FSCM	CLASS	DWG NO.	REV
D	32108	SD	191990	00
SCALE	CAT. CODE			SHEET 1 OF 3

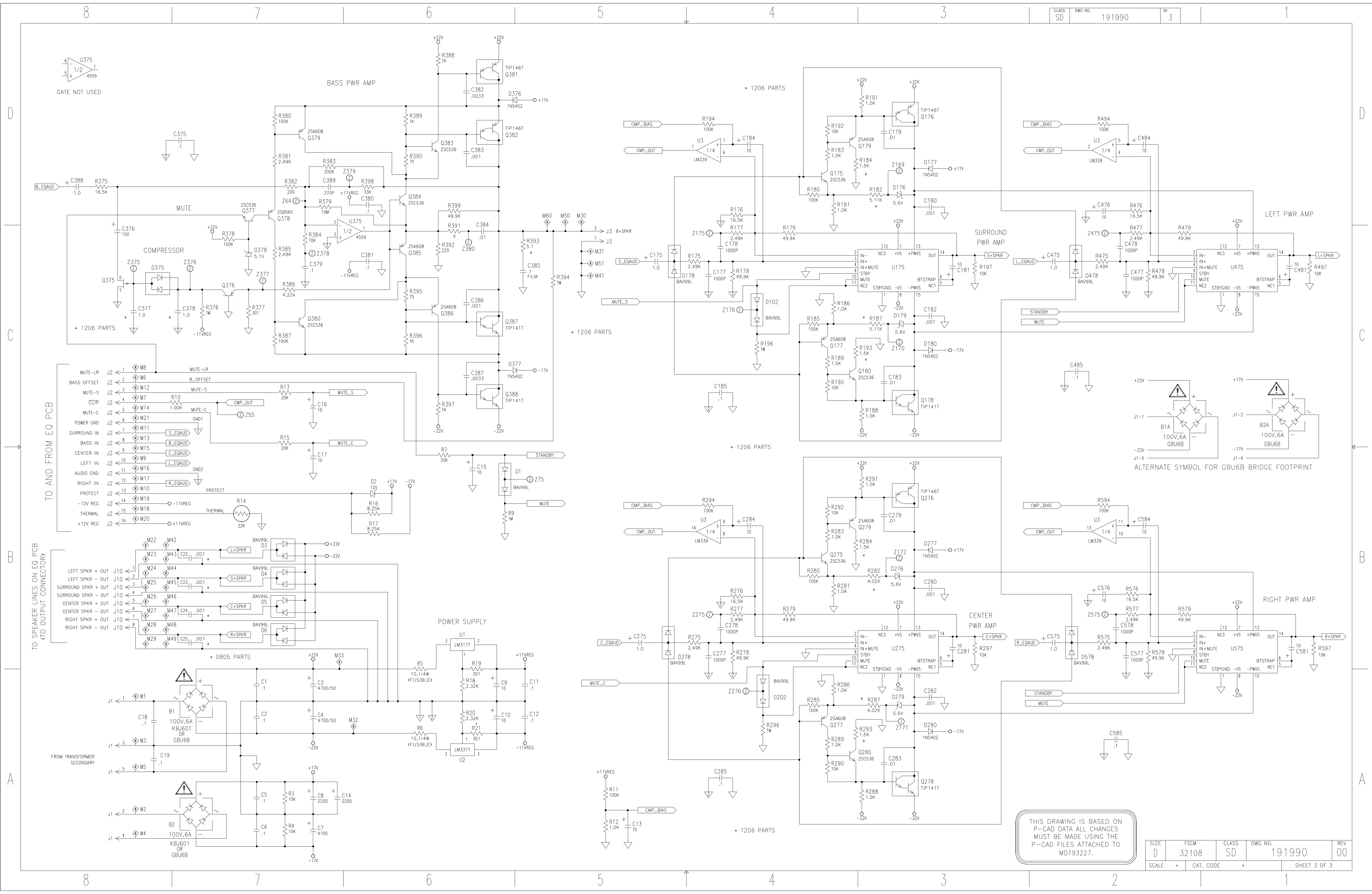
THIS DRAWING IS BASED ON P-CAD DATA ALL CHANGES MUST BE MADE USING THE P-CAD FILES ATTACHED TO MD193227.

NOTICE  
BOSE CORP PROPRIETARY RIGHTS ARE INCLUDED HEREIN. THIS INFORMATION MAY NOT BE COPIED, TRANSMITTED OR DISCLOSED EXCEPT AS AUTHORIZED BY BOSE CORP.



THIS DRAWING IS BASED ON P-CAD DATA ALL CHANGES MUST BE MADE USING THE P-CAD FILES ATTACHED TO MD193227.

SIZE D	FSCM 32108	CLASS SD	DWG NO. 191990	REV 00
SCALE	CAT. CODE	SHEET 2 OF 3		



THIS DRAWING IS BASED ON P-CAD DATA ALL CHANGES MUST BE MADE USING THE P-CAD FILES ATTACHED TO MD193227.

SIZE	FSCM	CLASS	DWG NO.	REV
D	32108	SD	191990	00
SCALE	CAT. CODE	SHEET 3 OF 3		