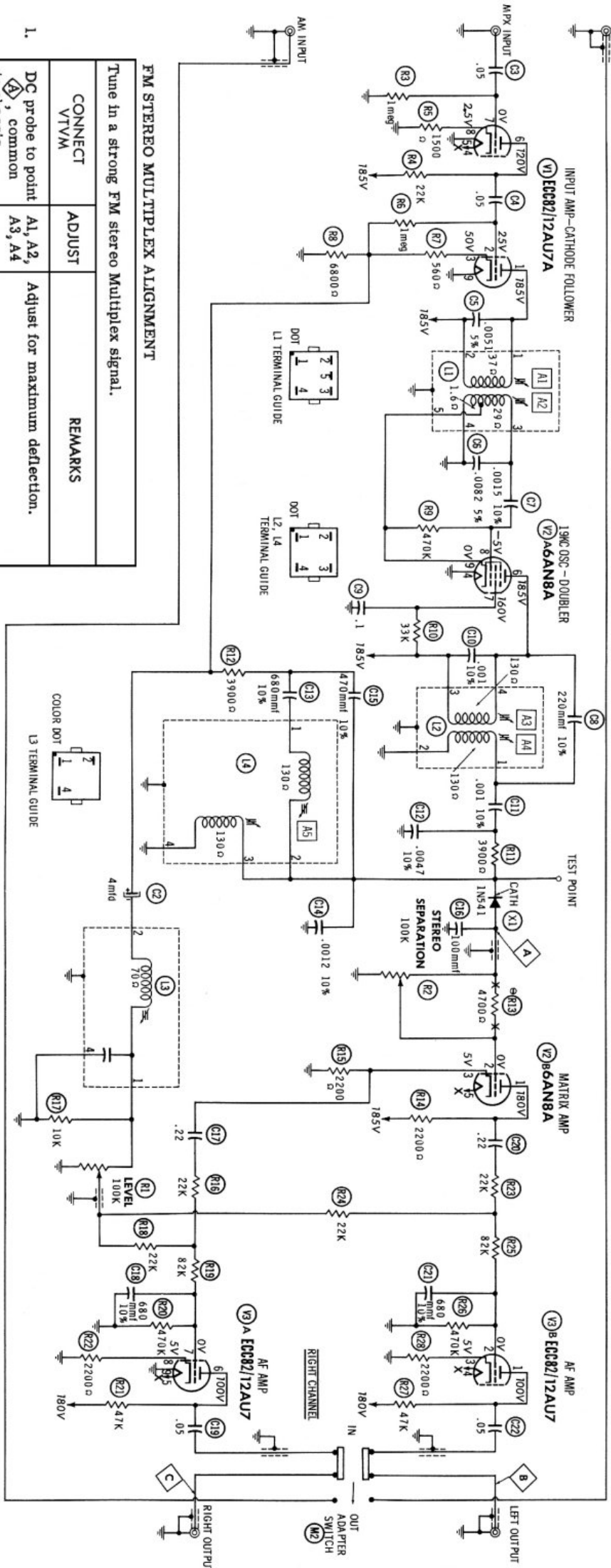


FM INPUT

LEFT CHANNEL

RIGHT CHANNEL



FM STEREO MULTIPLEX ALIGNMENT

Tune in a strong FM stereo Multiplex signal.

CONNECT	ADJUST	REMARKS
V1YV CONNECT	A1, A2, A3, A4	Adjust for maximum deflection.
DC probe to point \diamond , common to chassis. CONNECT		
SCOPE		
Vert. amp. to point \diamond Horiz. Input to point \diamond low side to chassis.	R1	Adjust to maximum counterclockwise and clockwise position and adjust scope to produce diagonal response shown in Fig. 1. Set R1 at the point producing the round pattern shown in Fig. 1.
None	A5	Adjust A5 to eliminate whistle or tweet interference.

- 1.
- 2.
- 3.

BOGEN PX60



FIG. 1

