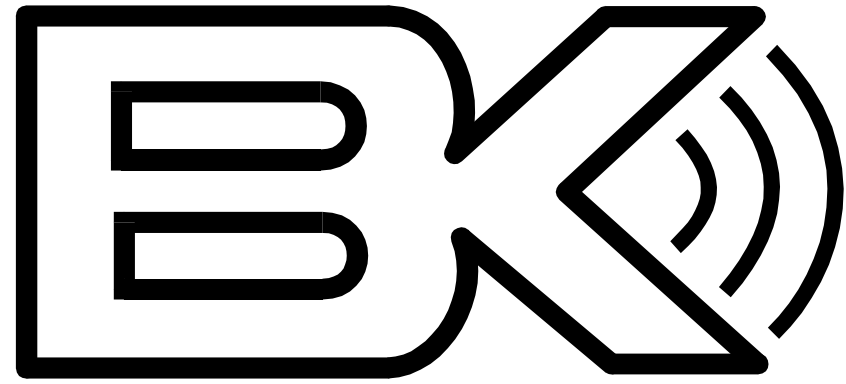




ST3030 Series II

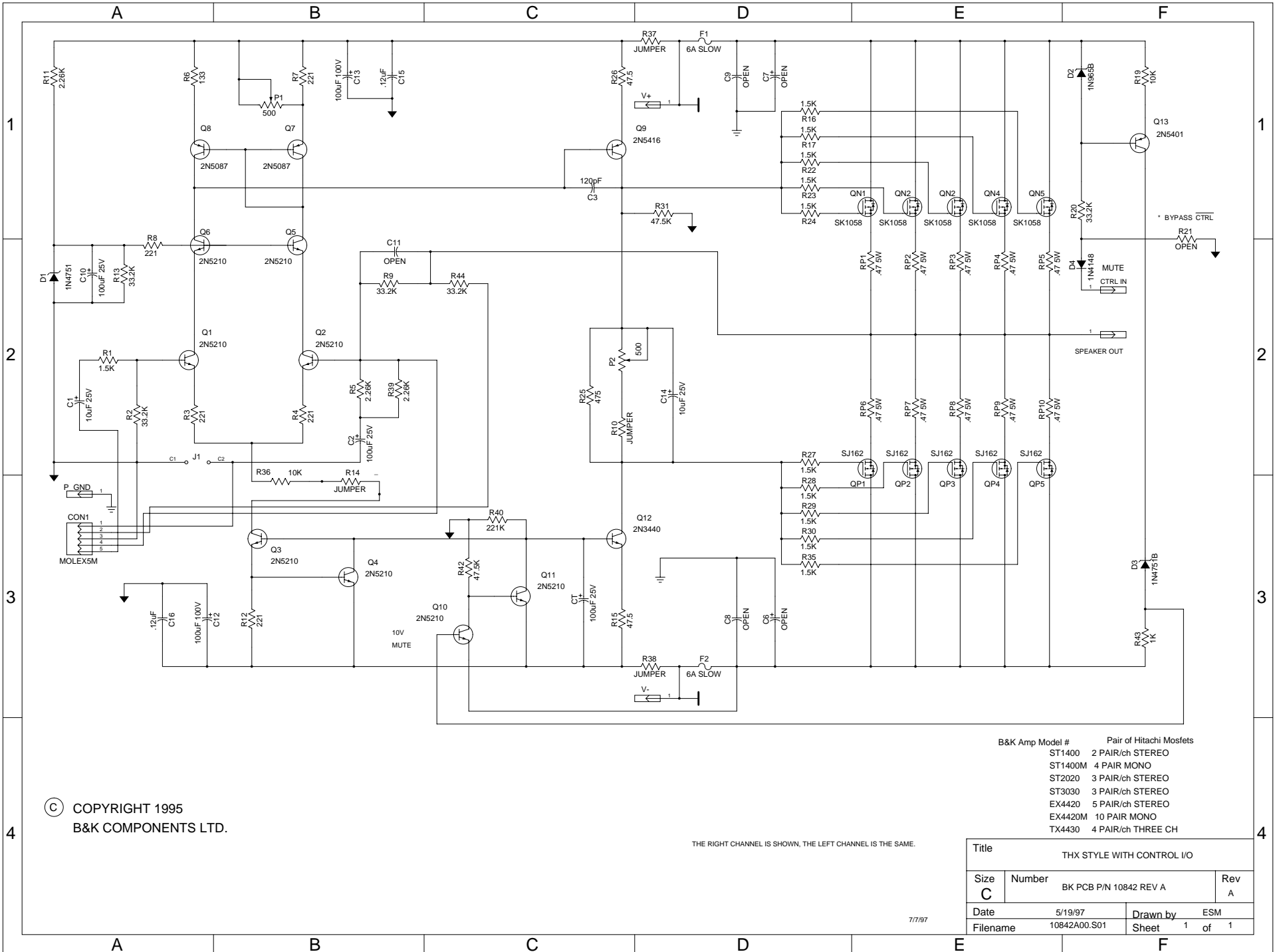
SERVICE MANUAL

B&K COMPONENTS, LTD.
2100 Old Union Road
Buffalo, New York 14227-2725
U.S.A.



Schematics

B&K COMPONENTS, LTD.
2100 Old Union Road
Buffalo, New York 14227-2725
U.S.A.

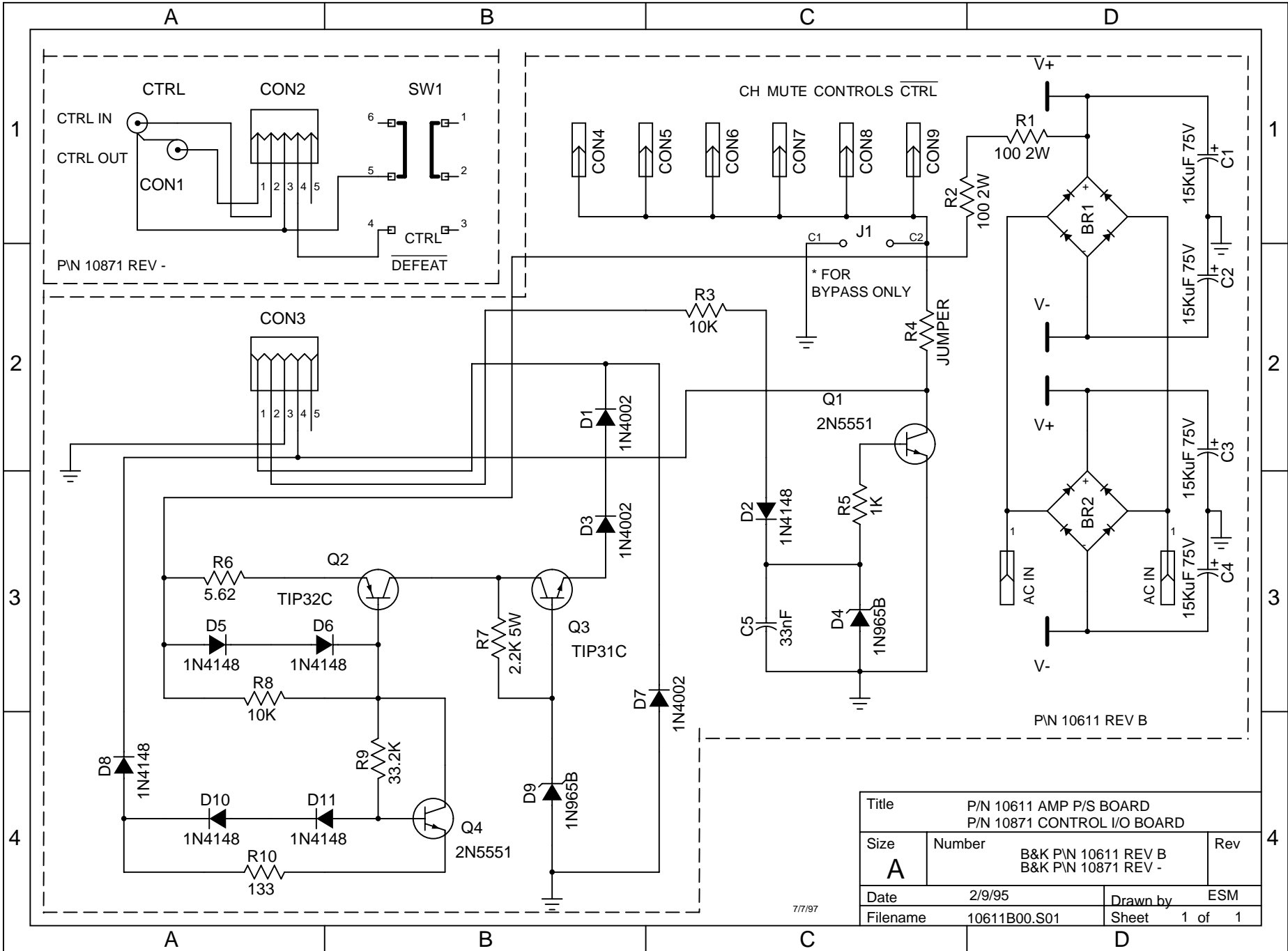


© COPYRIGHT 1995
B&K COMPONENTS LTD.

THE RIGHT CHANNEL IS SHOWN, THE LEFT CHANNEL IS THE SAME.

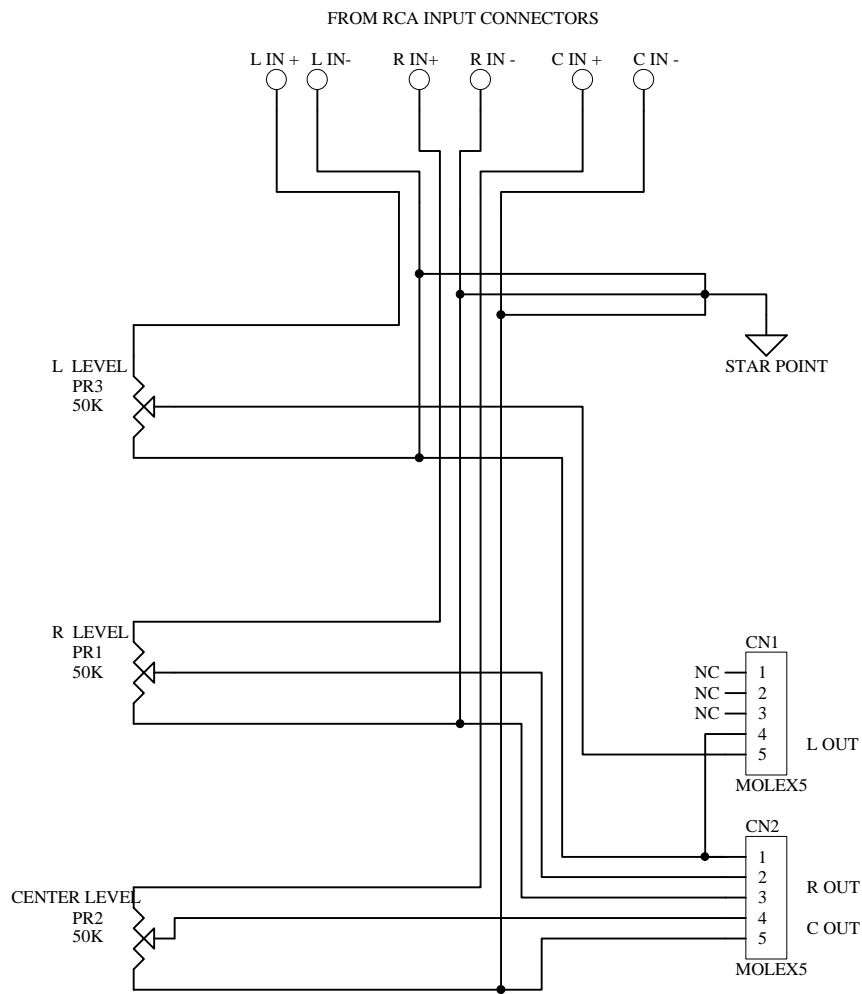
- B&K Amp Model # Pair of Hitachi Mosfets
 ST1400 2 PAIR/ch STEREO
 ST1400M 4 PAIR MONO
 ST2020 3 PAIR/ch STEREO
 ST3030 3 PAIR/ch STEREO
 EX4420 5 PAIR/ch STEREO
 EX4420M 10 PAIR MONO
 TX4430 4 PAIR/ch THREE CH

Title			THX STYLE WITH CONTROL I/O		
Size	Number	BK PCB P/N 10842 REV A			Rev
C					A
Date	5/19/97	Drawn by	ESM		
Filename	10842A00.S01	Sheet	1 of 1		



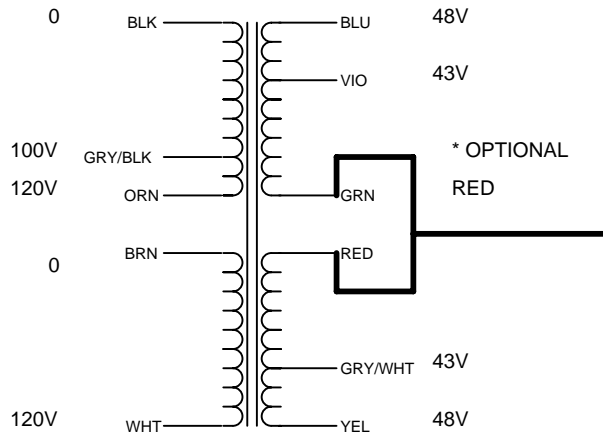
Title			
P/N 10611 AMP P/S BOARD			
P/N 10871 CONTROL I/O BOARD			
Size	Number	Rev	
A	B&K P/N 10611 REV B B&K P/N 10871 REV -		
Date	2/9/95	Drawn by	ESM
Filename	10611B00.S01	Sheet	1 of 1

7/7/97



Title			
3 CH POWER AMPLIFIER LEVEL CONTROL			
Size	Number	Revision	
A	B&K P/N 11021	---	
Date:	8-Mar-1999	Sheet of	1 OF 1
File:	F:\USERS\...\11021-00.SCH	Drawn By:	MVB

625VA MULTI SEC/PRI TOROID



THE SECONDARY VOLTAGES LISTED ARE FOR FULL LOAD CONDITIONS.

APPROX. MAX DIMENSIONS OF TOROIDAL TRANSFORMER:

HEIGHT: 3.5"

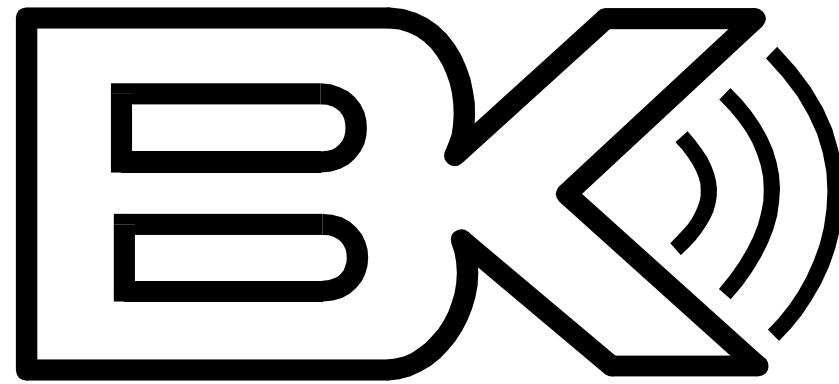
APPROX. MAX MOUNTING DIM. 6.0"

LEAD LENGTH: 9"

THE ABOVE PHYSICAL DIMENSIONS ARE MAXIMUM DIMENSIONS.

7/22/97

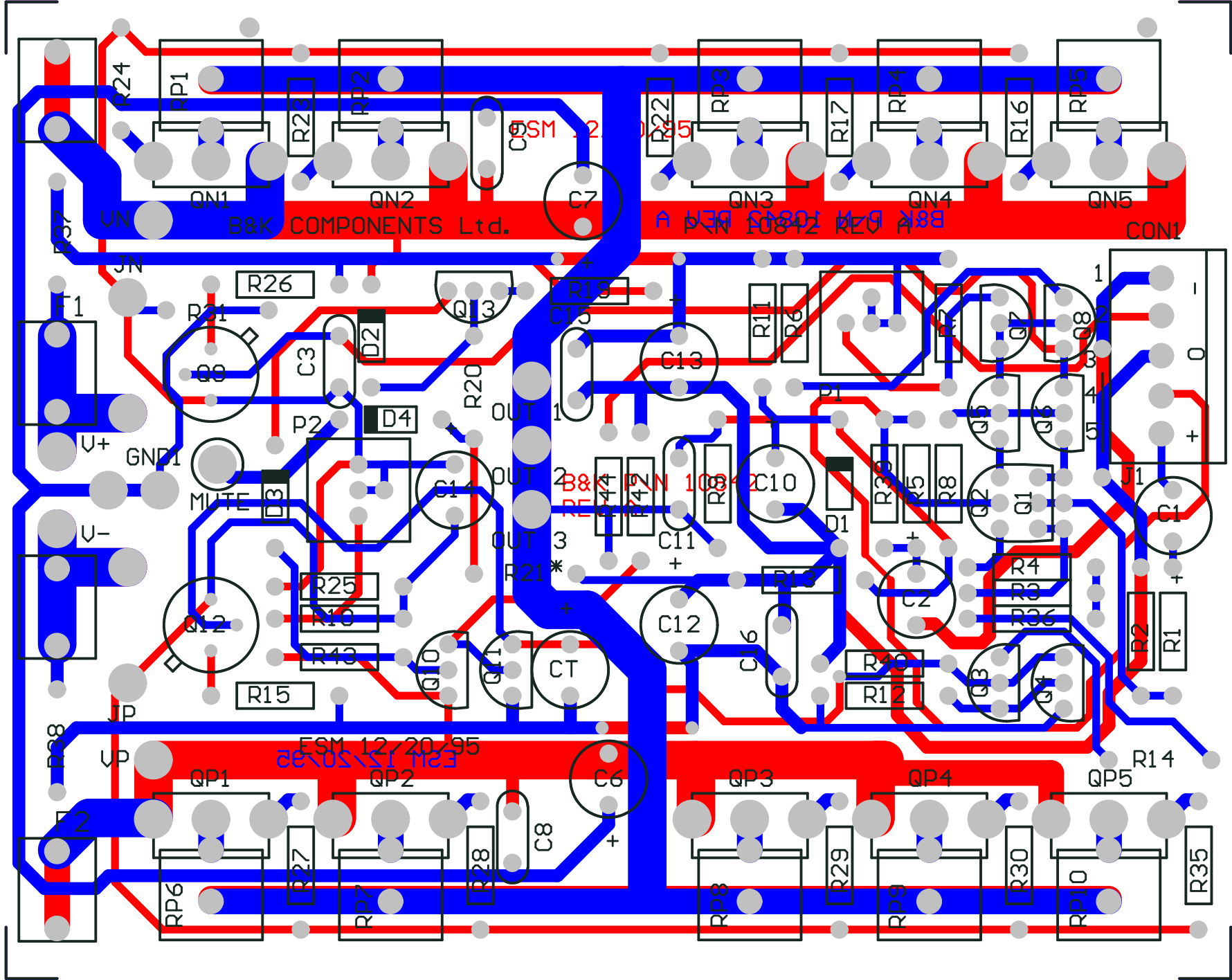
Title			
B&K COMPONENTS LTD.			
Size	Number	B&K P/N 10085	Rev
A	625VA MULTI SEC/PRI		-
Date	1/18/95	Drawn by	ESM
Filename	10085.S01	Sheet	1 of 1



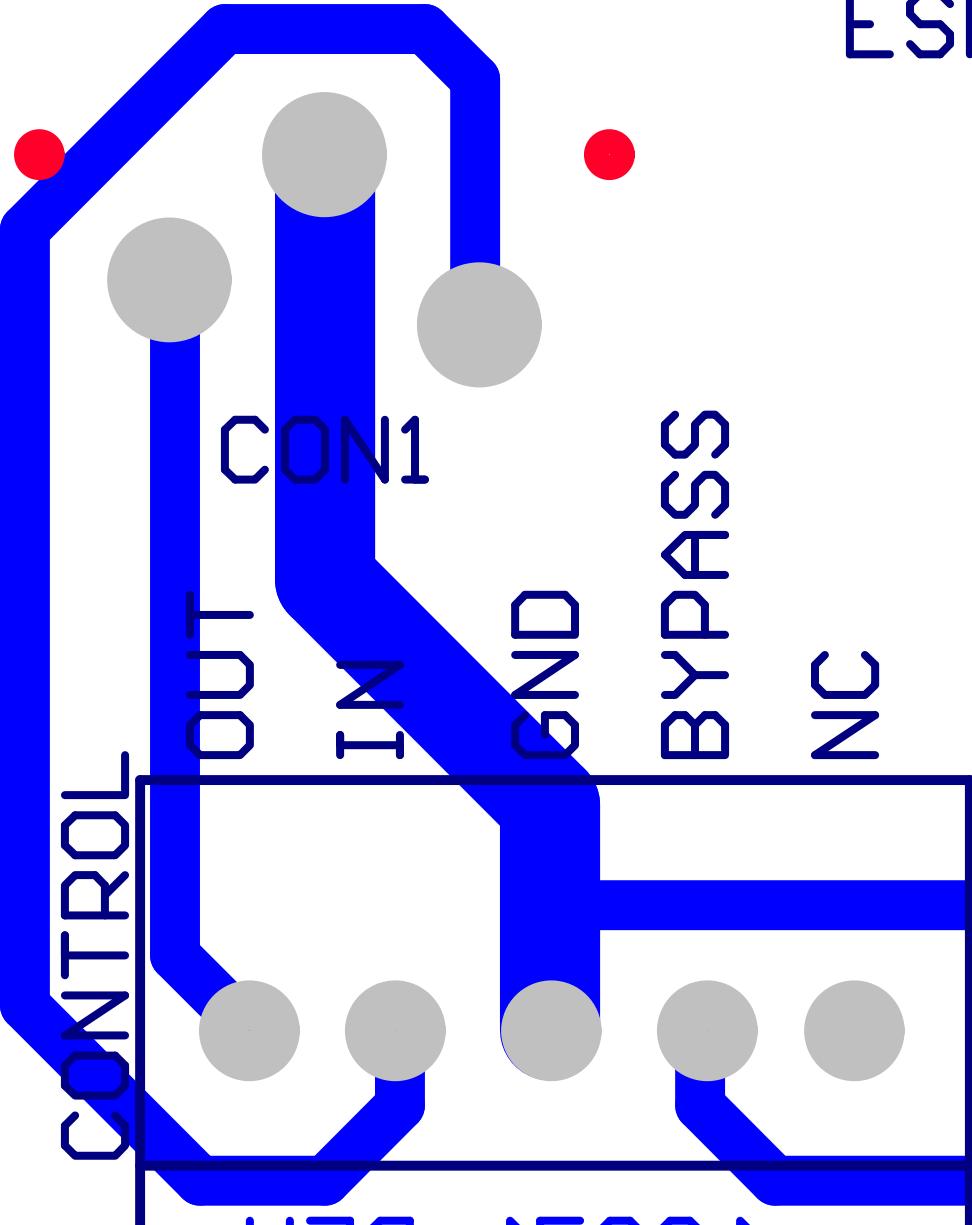
Printed Circuit Boards

PCB's

B&K COMPONENTS, LTD.
2100 Old Union Road
Buffalo, New York 14227-2725
U.S.A.



ESM 2/28/95



CON2 REF 10871 REV -

SW1

CONTROL

OUT

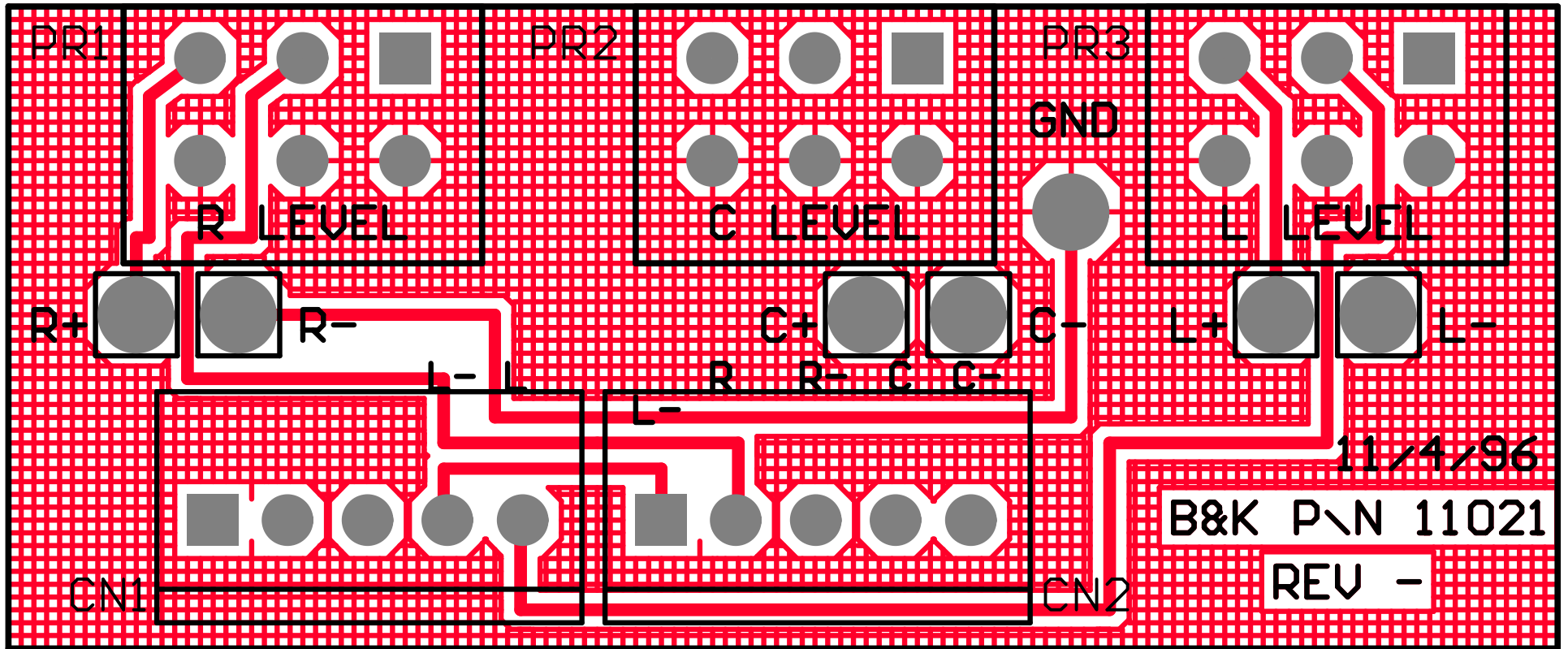
IN

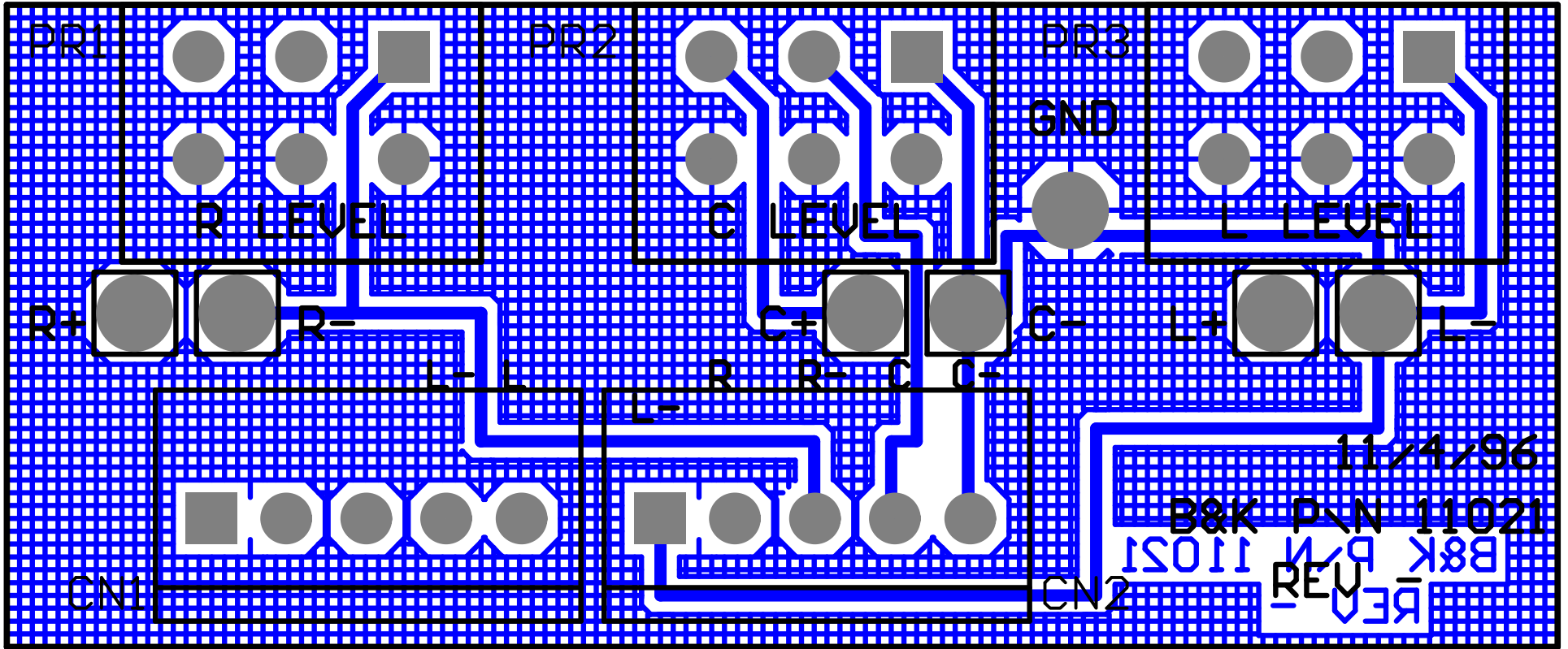
GND

BYPASS

NC

CON1





PR1

PR2

PR3

R LEVEL

C LEVEL

L LEVEL

GND

R+

R-

C+

C-

L+

L-

L-

L-

R-

R-

C-

C-

11/4/96

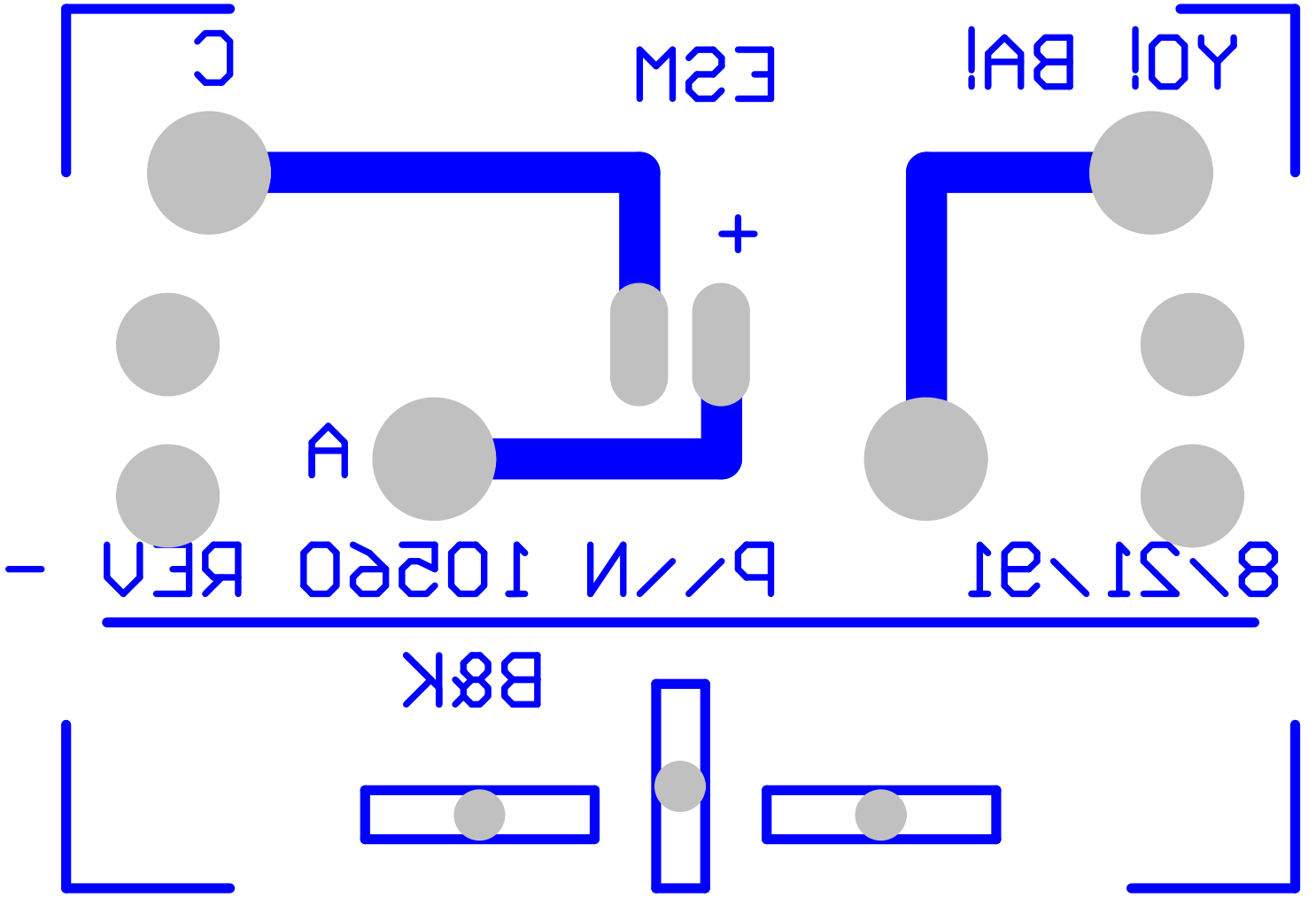
B&K P\N 11021

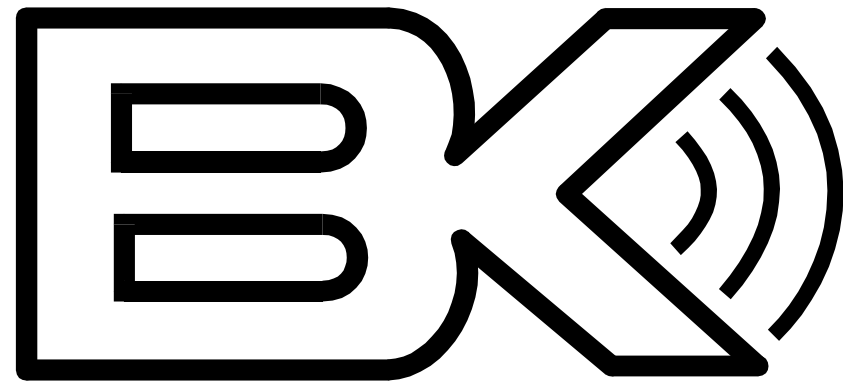
B&K P\N 11021

CN1

CN2

REV -





Bill of Materials

BOM's

B&K COMPONENTS, LTD.
2100 Old Union Road
Buffalo, New York 14227-2725
U.S.A.

Bill of Material for P/N 10842
ST1400/ST1400M/ST2020/ST3030/EX4420/EX4420M/TX4430 AMP BOARD WITH
CONTROL I/OF

Comment	Pattern	Quantity	Components
.12uF	RAD200	2	C15, C16
.47 5W	R5W.S	10	RP1, RP2, RP3, RP4, RP5, RP6, RP7, RP8, RP9, RP10
1.5K	RES500	1	R1
100uF 100V	CAP200RP	2	C12, C13
100uF 25V	CAP200RP	3	C2, C10, CT
10K	RES500	2	R19, R36
10uF 25V	CAP200RP	2	C1, C14
120pF	RAD200	1	C3
133	RES500	1	R6
1K	RES400	1	R24
1.5K	RES500	10	R16, R17, R22, R23, R27, R28, R29, R30, R35, R43
1N4148	DIODE.4	1	D4
1N4751	D0-35	1	D1
1N4751	DIODE.4	1	D3
1N965B	DIODE.4	1	D2
2.26K	RES500	3	R5, R11, R39
221	RES500	5	R3, R4, R7, R8, R12
221K	RES500	1	R40
2N3440	TO5	1	Q12
2N5087 M	TO92	2	Q7, Q8
2N5210 M	TO92	4	Q1, Q2, Q5, Q6
2N5210 U	TO92	4	Q3, Q4, Q10, Q11
2N5401	TO92	1	Q13
2N5416	TO5	1	Q9
33.2K	RES500	4	R2, R9, R13, R44
47.5	RES500	2	R15, R26
47.5K	RES400	2	R20, R31
47.5K	RES500	1	R42
475	RES500	1	R25
5 MOLEX M	MOLEX5	1	CON1
500	POT	2	P1, P2
FUSE 6A SB	FUSE.3AG	2	F1, F2
JUMPER	JUMP.5	1	J1
JUMPER	RES400	4	R14, R21, R37, R38
JUMPER	RES500	1	R10
OPEN	CAP200RP	2	C6, C7
OPEN	RAD200	3	C8, C9, C11
SJ162	TO3P	5	QP1, QP2, QP3, QP4, QP5
SK1058	TO3P	5	QN1, QN2, QN3, QN4, QN5

Bill of Material for P/N 10611
 POWER SUPPLY BOARD FOR LARGE CHASSIS AMPS

Comment	Pattern	Quantity	Components
100 2W	AXIAL0.7	2	R1, R2
10K	RES500	2	R3, R8
133	RES500	1	R10
15000uF 75V	PCAP.BIG	4	C1, C2, C3, C4
1K	RES500	1	R5
1N4002	D0-35	3	D1, D3, D7
1N4148	D0-35	6	D2, D5, D6, D8, D10, D11
1N965B	D0-35	2	D4, D9
2.2K 5W	RES5WAXIAL	1	R7
2N5551	TO92	2	Q1, Q4
33.2K	RES500	1	R9
33nF	RAD200	1	C5
400V 40A	BRIDGE.HP	2	BR1, BR2
5 PIN	MOLEX5	1	CON3
5.62	RES500	1	R6
JUMPER	JUMP.5	1	J6
JUMPER	JUMP.8	13	J2, J3, J4, J5, J7, J8, J9, J10, J11, J12, J13, J14, J15
JUMPER	RES500	1	R4
PCB FASTON	FASTON.25	6	CON4, CON5, CON6, CON7, CON8, CON9
TIP31C	TO220	1	Q3
TIP32C	TO220	1	Q2
OPEN	AXIAL500	1	J1