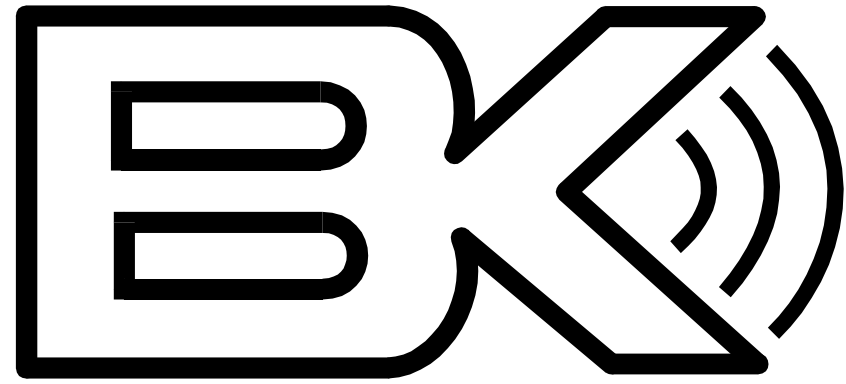


# **ST1200 Series II**

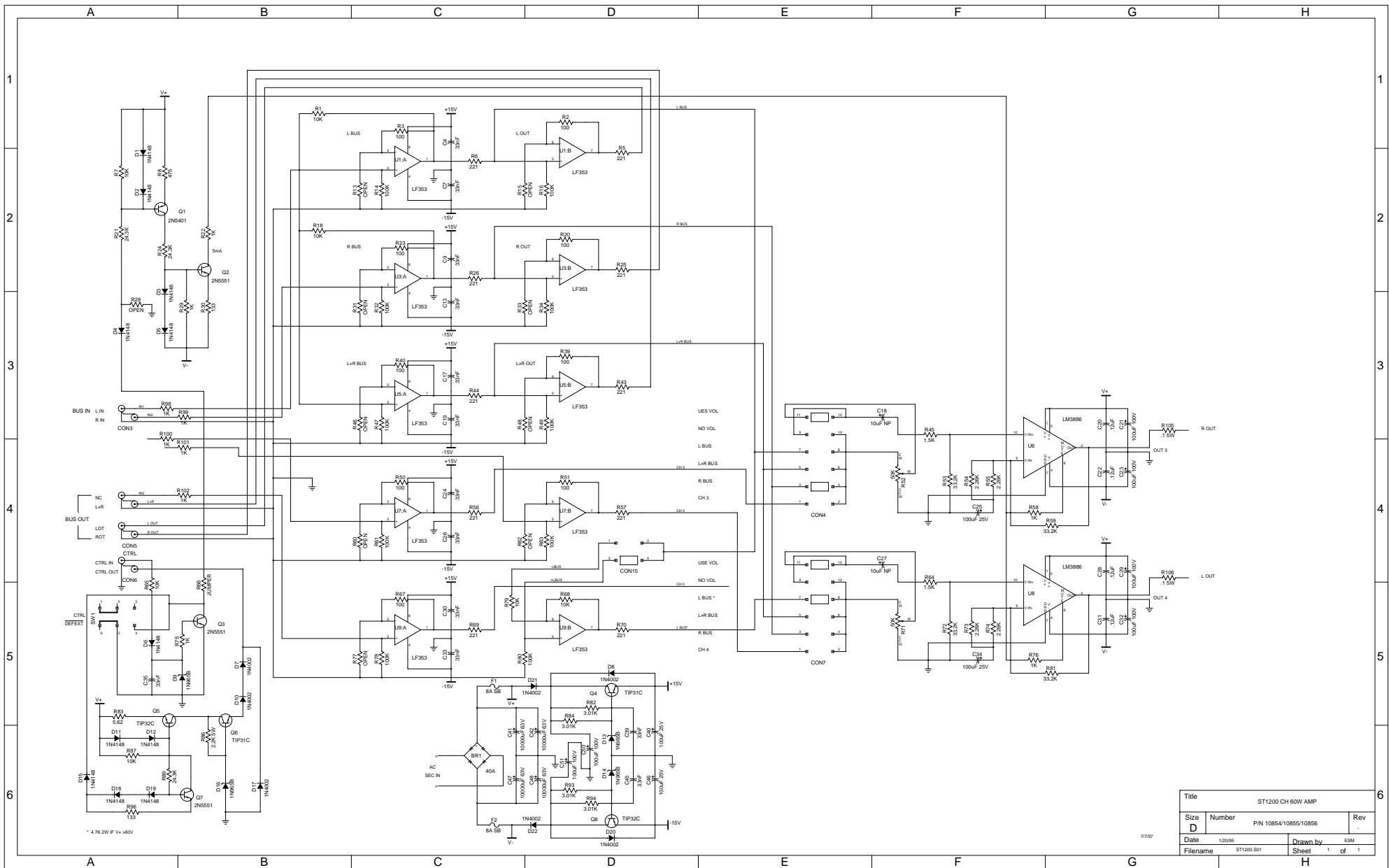
## **SERVICE MANUAL**

B&K COMPONENTS, LTD.  
2100 Old Union Road  
Buffalo, New York 14227-2725  
U.S.A.



# Schematics

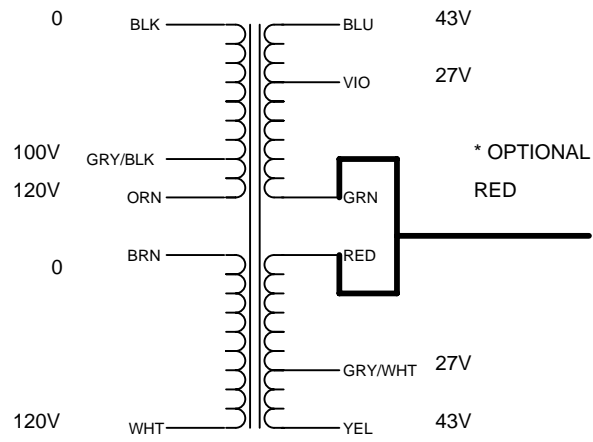
B&K COMPONENTS, LTD.  
2100 Old Union Road  
Buffalo, New York 14227-2725  
U.S.A.



\* 4.7K 2W if V+ = 40V

Title				ST1200 CH 60W AMP	
Size	D	Number	PIN 10854/10855/10856		Rev
Date	12/0/95		Drawn by		EDM
Filename	ST1200.501		Sheet	1 of 1	

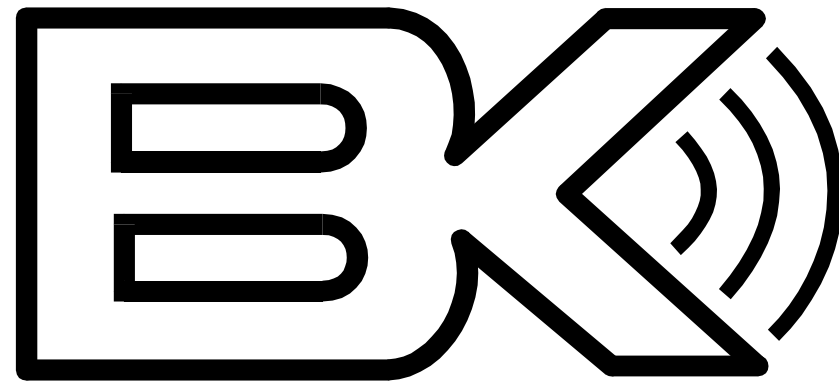
300VA MULTI SEC/PRI TOROID



THE SECONDARY VOLTAGES LISTED ARE FOR FULL LOAD CONDITIONS.  
 APPROX. MAX DIMENSIONS OF TOROIDAL TRANSFORMER:  
 HEIGHT: 2.65"  
 APPROX. MAX MOUNTING DIM. 4.5"  
 LEAD LENGTH: 9"  
 THE ABOVE PHYSICAL DIMENSIONS ARE MAXIMUM DIMENSIONS.

Title				B&K COMPONENTS LTD.			
Size	Number	B&K P/N 10866		Rev			
A		300VA MULTI SEC/PRI		-			
Date	1/18/95			Drawn by	ESM		
Filename	10866.S01			Sheet	1 of 1		

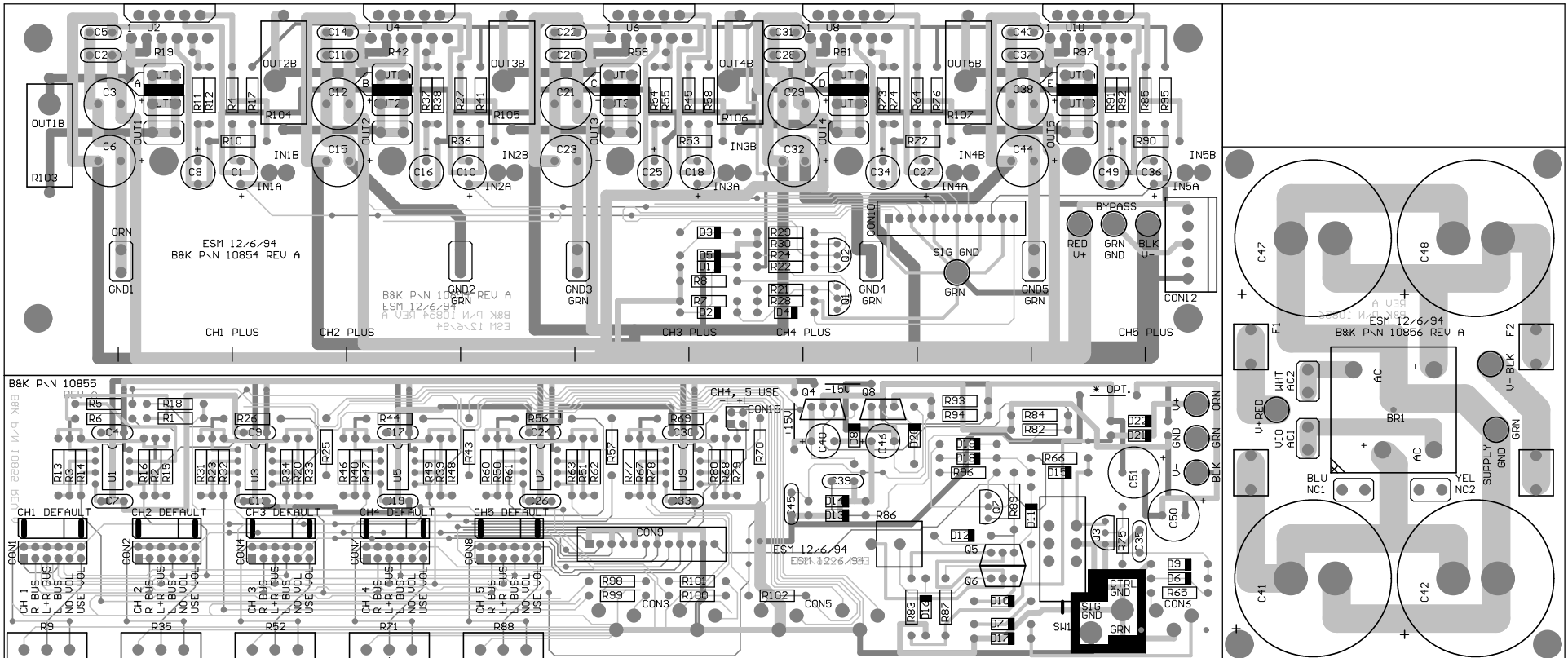
7/22/97

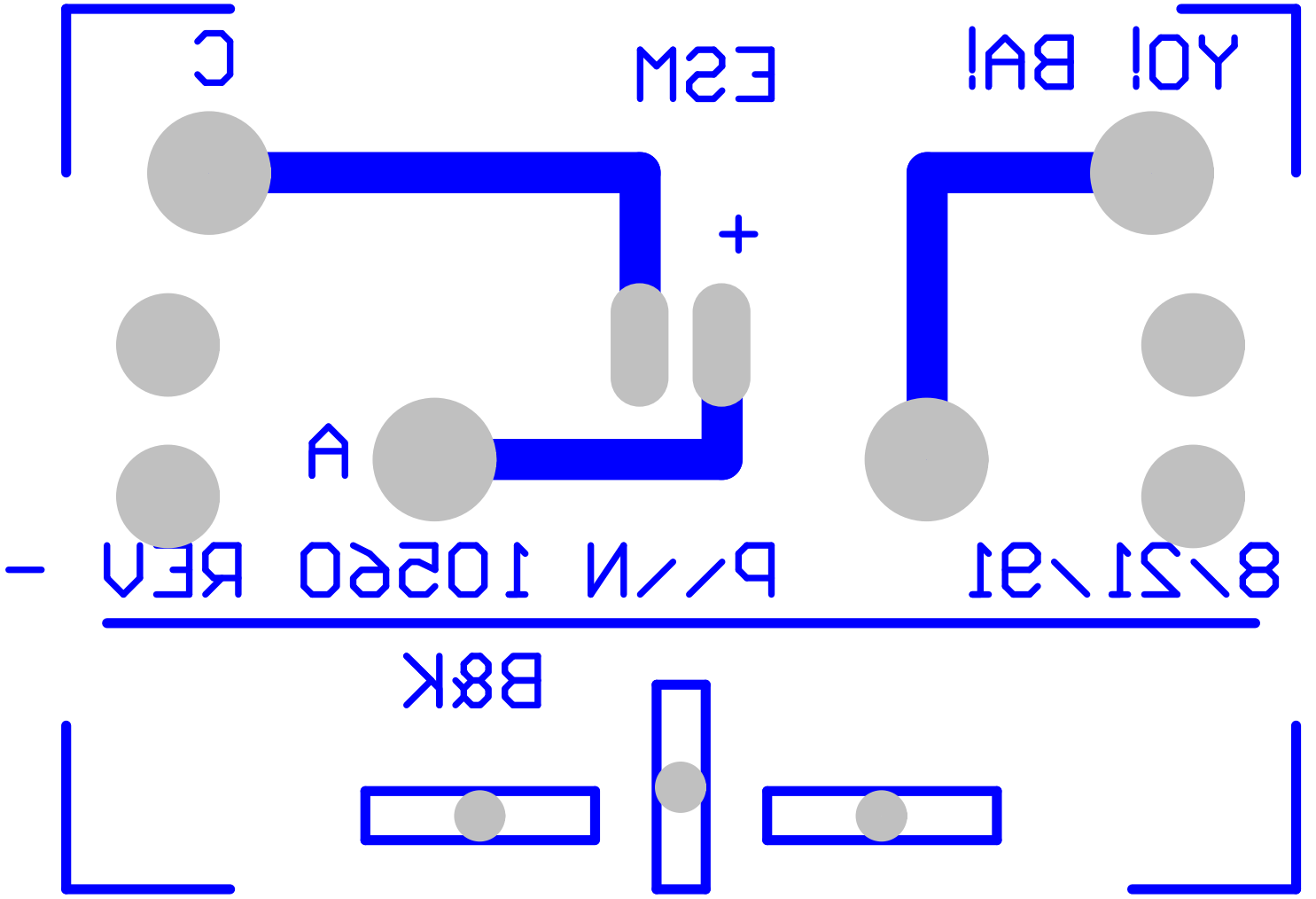


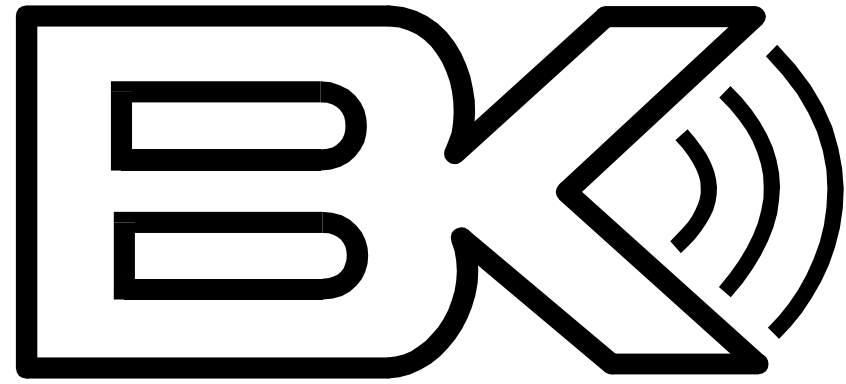
# Printed Circuit Boards

## PCB's

B&K COMPONENTS, LTD.  
2100 Old Union Road  
Buffalo, New York 14227-2725  
U.S.A.







# **Bill of Materials**

## **BOM's**

B&K COMPONENTS, LTD.  
2100 Old Union Road  
Buffalo, New York 14227-2725  
U.S.A.



Bill of Materials for ST1200  
ST1200 MAIN BOARD/POWER SUPPLY/INPUT/VOLUME CONTROL BOARD

Comment	Pattern	Quantity	Components
12HEADER	12PINHEAD	2	CON4,CON7
2PDTPUSH	2PDT.24	1	SW1
4HEADER	4PINHEAD	1	CON15
5 PIN	MOLEX5	1	CON12
PCB.SPADE	FASTON.25	8	OUT3, OUT4, AC1, AC2, GND3, GND4, NC1, NC2
400V 40A	BRIDGE	1	BR1
33nF	CAP	16	C4, C7, C13, C17, C19, C20, C22, C24, C26, C28, C30, C31, C33, C35, C39, C45
1N4148	DIODE	18	D1, D2, D3, D4, D5, D6, D7, D8, D10, D11, D12, D15, D17, D18, D19, D20, D21, D22
FUSE 8A SB	FUSE	2	F1,F2
LF353	DIP8	5	U1,U3,U5,U7,U9
LM3886	LM3886	2	U6,U8
2N5551	TO92	3	Q2,Q3,Q7
TIP31C	TO220	2	Q4,Q6
2N5401	TO92	1	Q1
TIP32C	TO220	2	Q5,Q8
10uF NP	CAP200RP	2	C18,C27
100uF 100V POL	CAP200RP	6	C21,C23,C29,C32, C50, C51
100uF 25V POL	CAP200RP	4	C25, C34, C40, C46
10000uF 50V POL	CAP200RP	4	C41, C42, C47, C48
50K POT	VOLSS.2	2	R52, R71
RCA.X1	RCA.X1	2	CON3, CON6
RCA.X2	RCA.X2	1	CON5
10K	RES	7	R1, R7, R18, R65, R68, R79, R87
1K	RES	10	R22, R29, R58, R75, R76, R98, R99, R100, R101, R102
.1 5W	RES	2	R105, R106
OPEN	RES	10	R13, R15, R28, R31, R33, R46, R48, R60, R62, R77
100K	RES	10	R14, R16, R32, R34, R47, R49, R61, R63, R78, R80
100	RES	9	R2, R3, R20, R23, R39, R40, R50, R51, R67
24.3K	RES	3	R21, R24, R89
221	RES	10	R5, R6, R25, R26, R43, R44, R56, R57, R69, R70
133	RES	2	R30, R96
1.5K	RES	2	R45, R64
33.2K	RES	4	R53, R59, R72, R81

133	RES	2	R30, R96
1.5K	RES	5	R4, R27, R45, R64, R85
2.26K	RES	10	R11, R12, R37, R38, R54, R55, R73, R74, R91, R92
JUMPER	RES	1	R66
475	RES	1	R8
3.01K	RES	4	R82, R84, R93, R94
5.62	RES	1	R83
2.2K 5W	R5W.R	1	R86
33.2K	RES400	10	R10, R19, R36, R42, R53, R59, R72, R81, R90, R97
LF353	DIP8	5	U1, U3, U5, U7, U9
1N965B	D0-35	4	D9, D13, D14, D16