

B & K

WE SIMPLY SOUND BETTER.

PT-5

SERVICE MANUAL

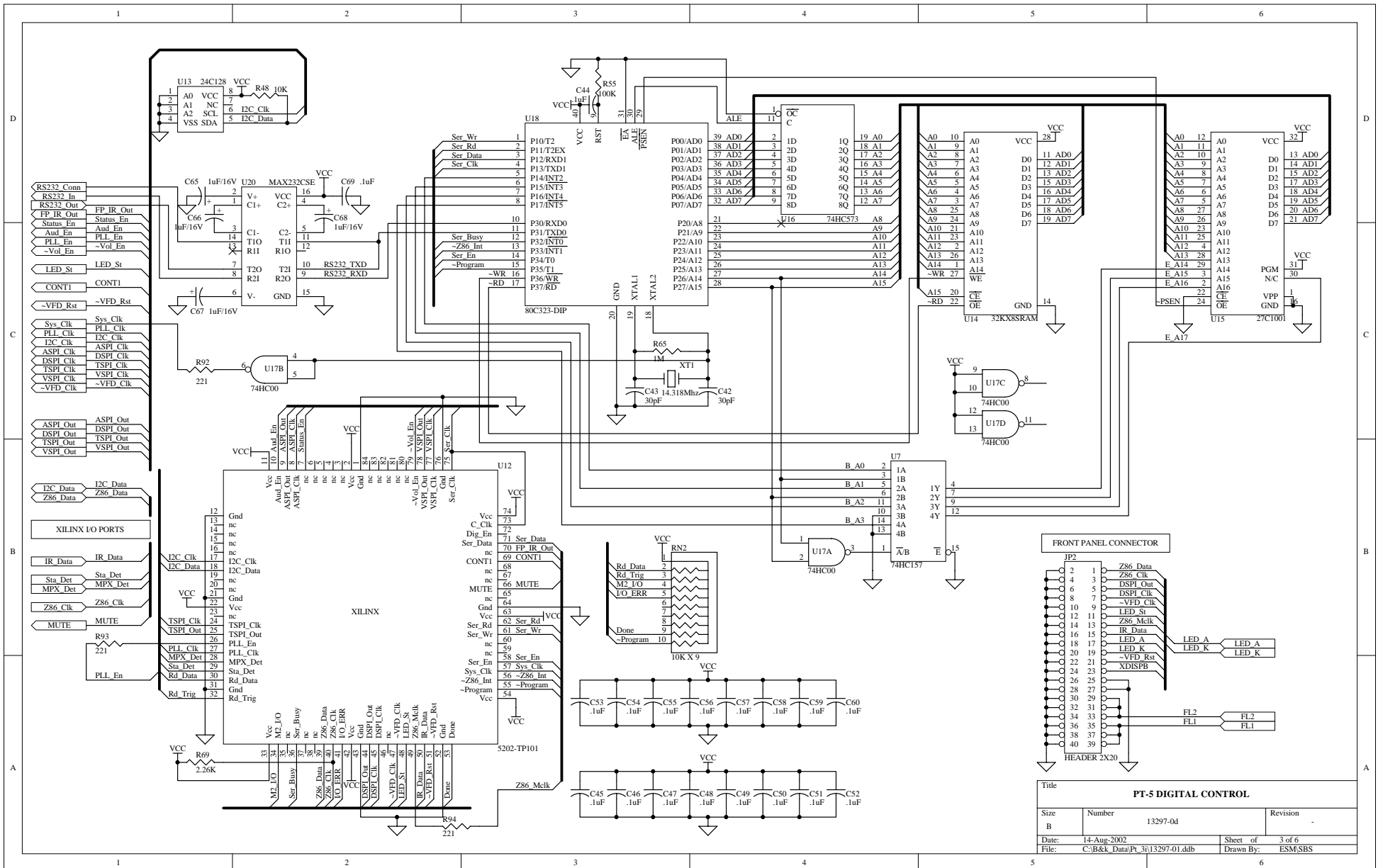
B&K COMPONENTS, LTD.
2100 Old Union Road
Buffalo, New York 14227-2725
U.S.A.

B & K

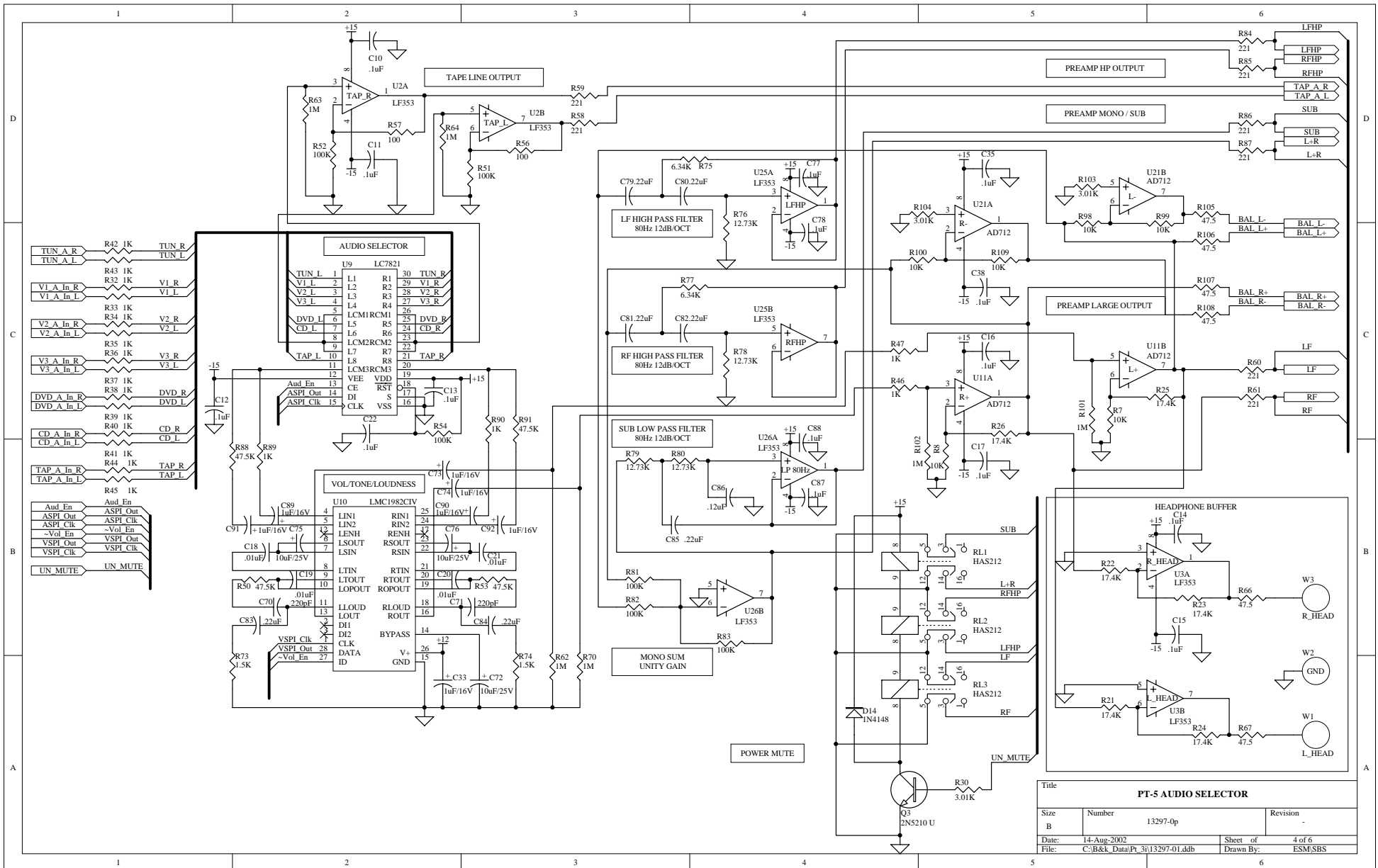
WE SIMPLY SOUND BETTER.

Schematics

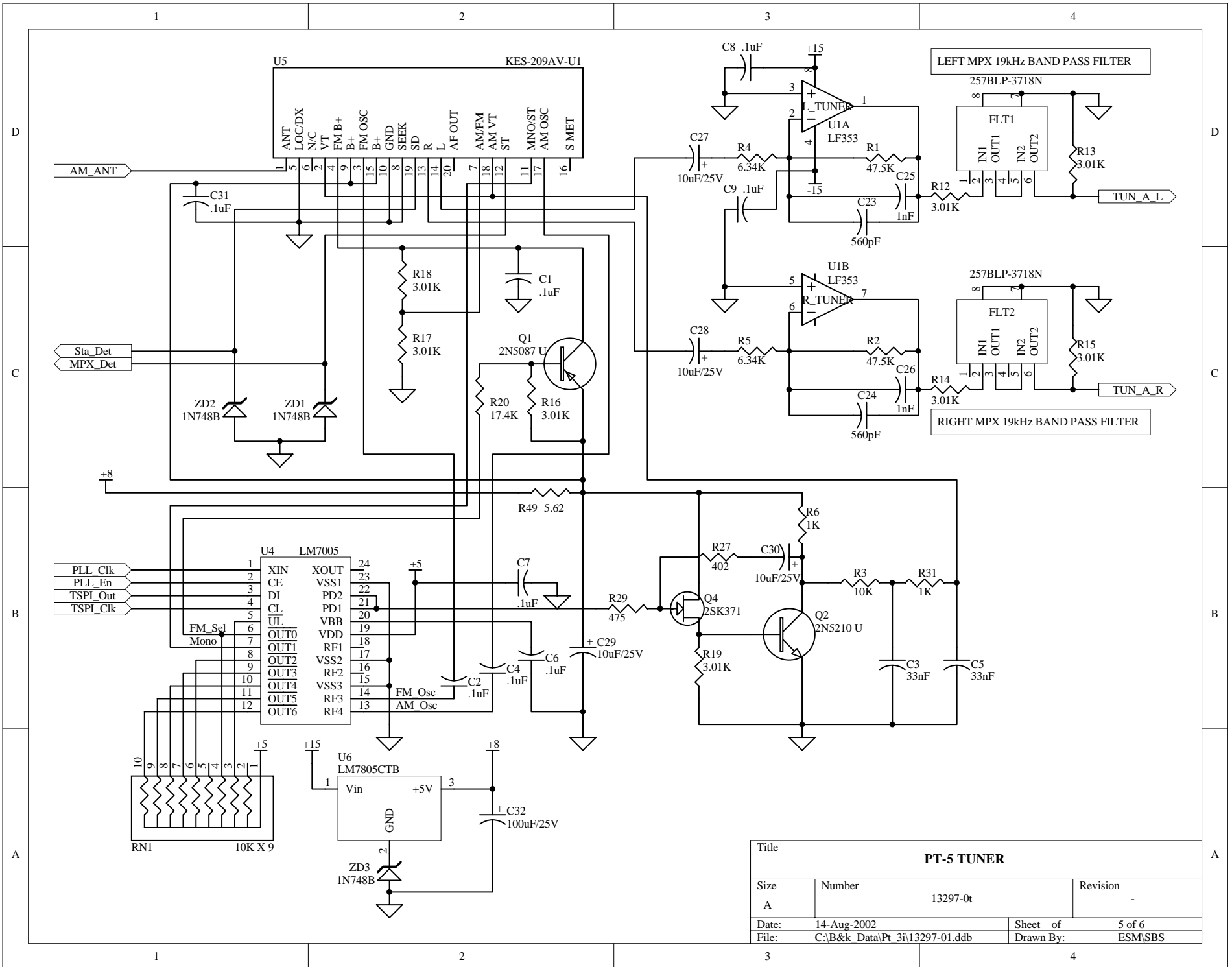
B&K COMPONENTS, LTD.
2100 Old Union Road
Buffalo, New York 14227-2725
U.S.A.



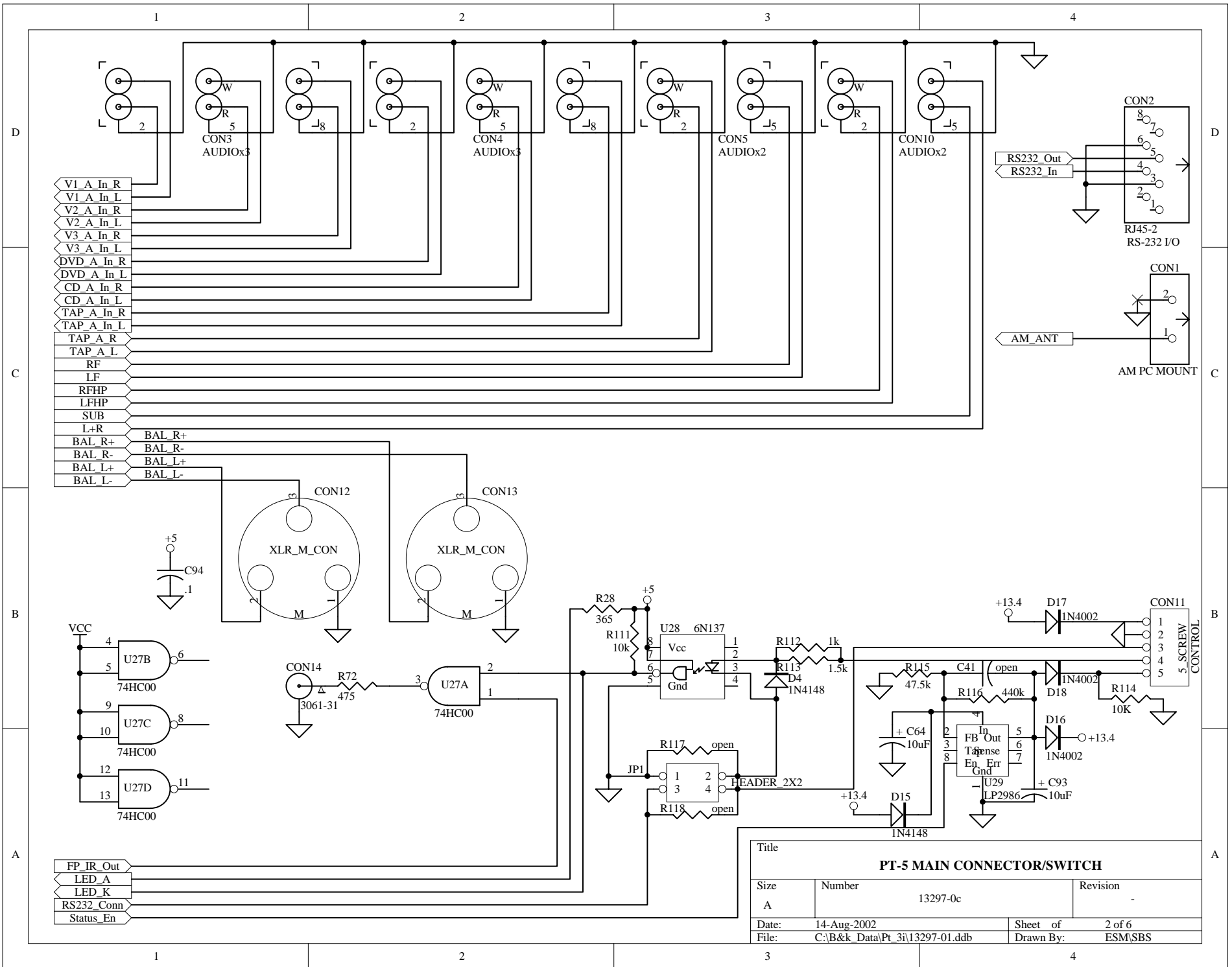
Title			
PT-5 DIGITAL CONTROL			
Size	Number	13297-0d	Revision
B			
Date:	14-Aug-2002	Sheet of	3 of 6
File:	C:\B&k Data\Pl_3\13297-01.ddb	Drawn By:	ESM/SBS



Title			
PT-5 AUDIO SELECTOR			
Size	Number	13297-0p	Revision
B			-
Date:	14-Aug-2002	Sheet of	4 of 6
File:	C:\B&k Data\PI_3\13297-01.ddb	Drawn By:	ESM/SBS



Title		
PT-5 TUNER		
Size	Number	Revision
A	13297-0t	-
Date:	14-Aug-2002	Sheet of 5 of 6
File:	C:\B&k_Data\Pt_3i\13297-01.ddb	Drawn By: ESM\SBS



Title			
PT-5 MAIN CONNECTOR/SWITCH			
Size	Number	Revision	
A	13297-0c	-	
Date:	14-Aug-2002	Sheet of	2 of 6
File:	C:\B&k_Data\Pt_3i\13297-01.ddb	Drawn By:	ESM/SBS

1

2

3

4

D

D

C

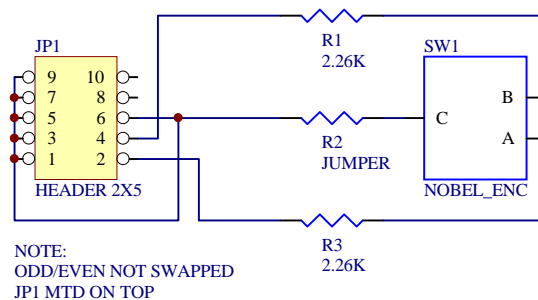
C

B

B

A

A



NOTE:
 ODD/EVEN NOT SWAPPED
 JP1 MTD ON TOP

Title		
AVP/AVR/REF/TP ROTARY ENCODER BOARD		
Size	Number	Revision
A		A
Date:	7-Aug-2000	Sheet 1 of 1
File:	C:\B&k_Data\BKPROD\SeriesII\Manufact\PCB\B&k\B&k_12760a00.DDB	

1

2

3

4