

1

2

3

4

D

D

C

C

B

B

A

A

DIGITAL CONTROL
12719c0D.sch

AM/FM TUNER
12719c0T.sch

PREAMPLIFIER
12719c0P.sch

CONNECTORS
12719c0C.sch

POWER SUPPLY
12719c0V.sch

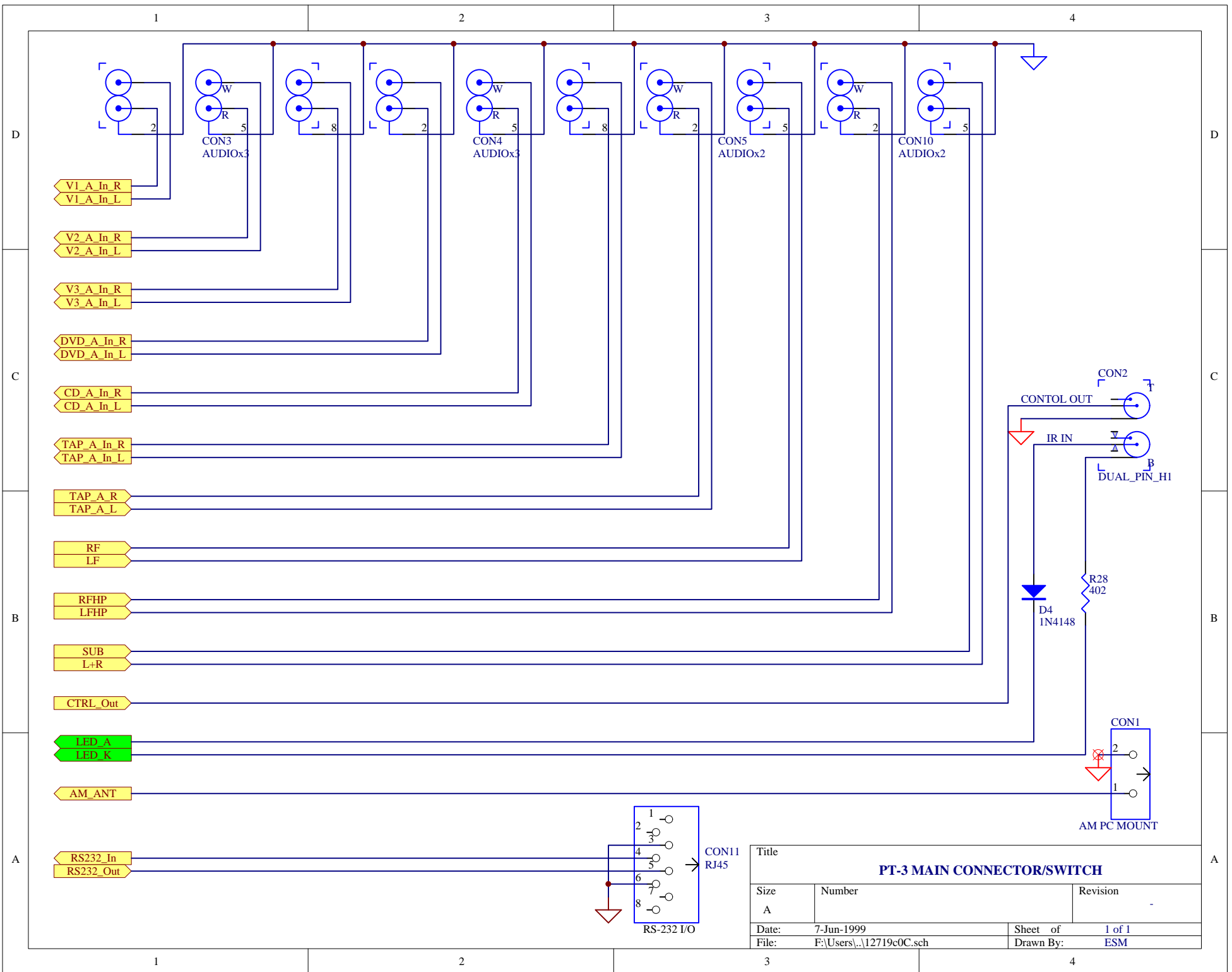
Title				PT-3 TUNER PREAMP MAIN BOARD PROJECT			
Size	Number			Revision			
A				-			
Date:	7-Jun-1999			Sheet of	1 of 1		
File:	F:\Users\...\12719C00.PRJ			Drawn By:	ESM		

1

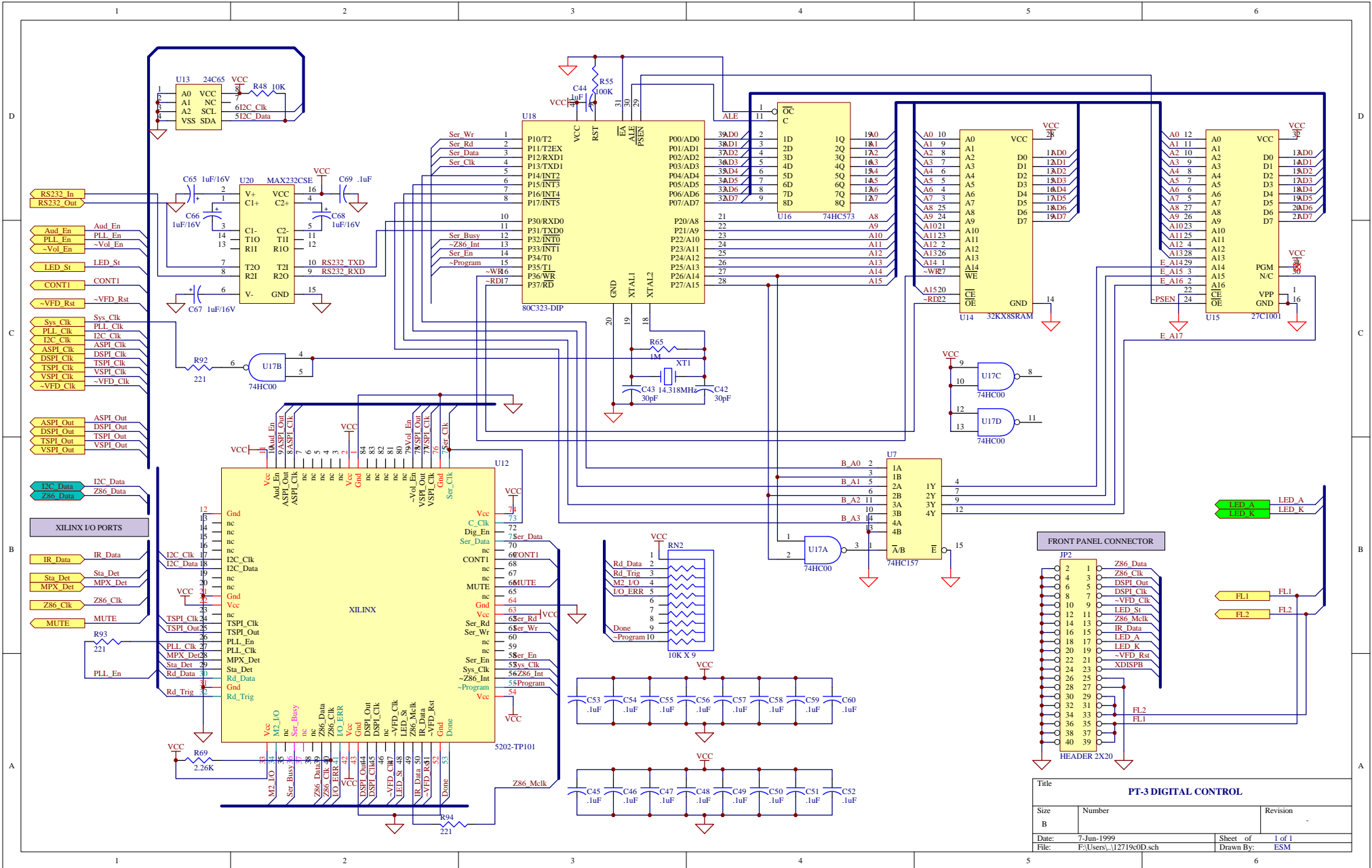
2

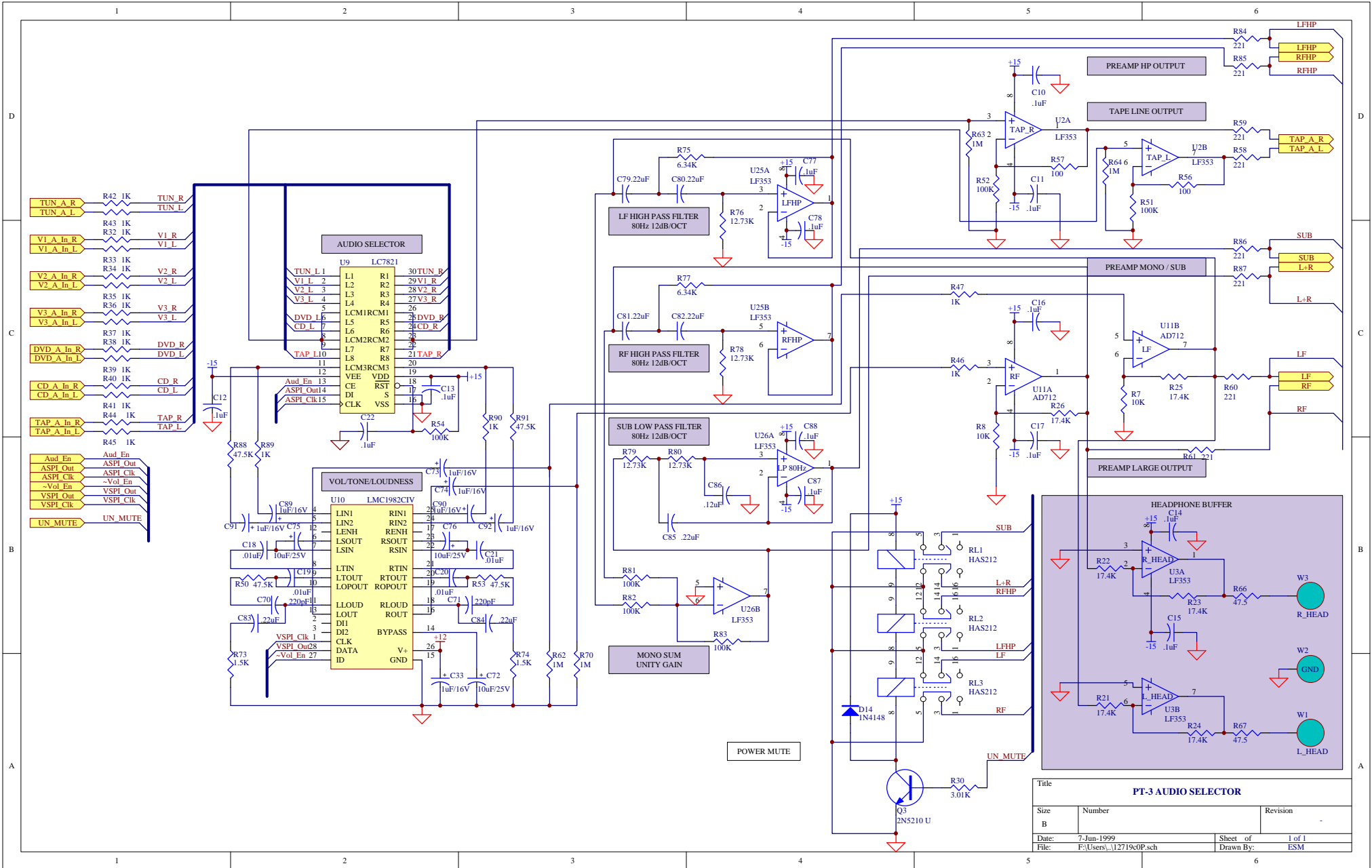
3

4

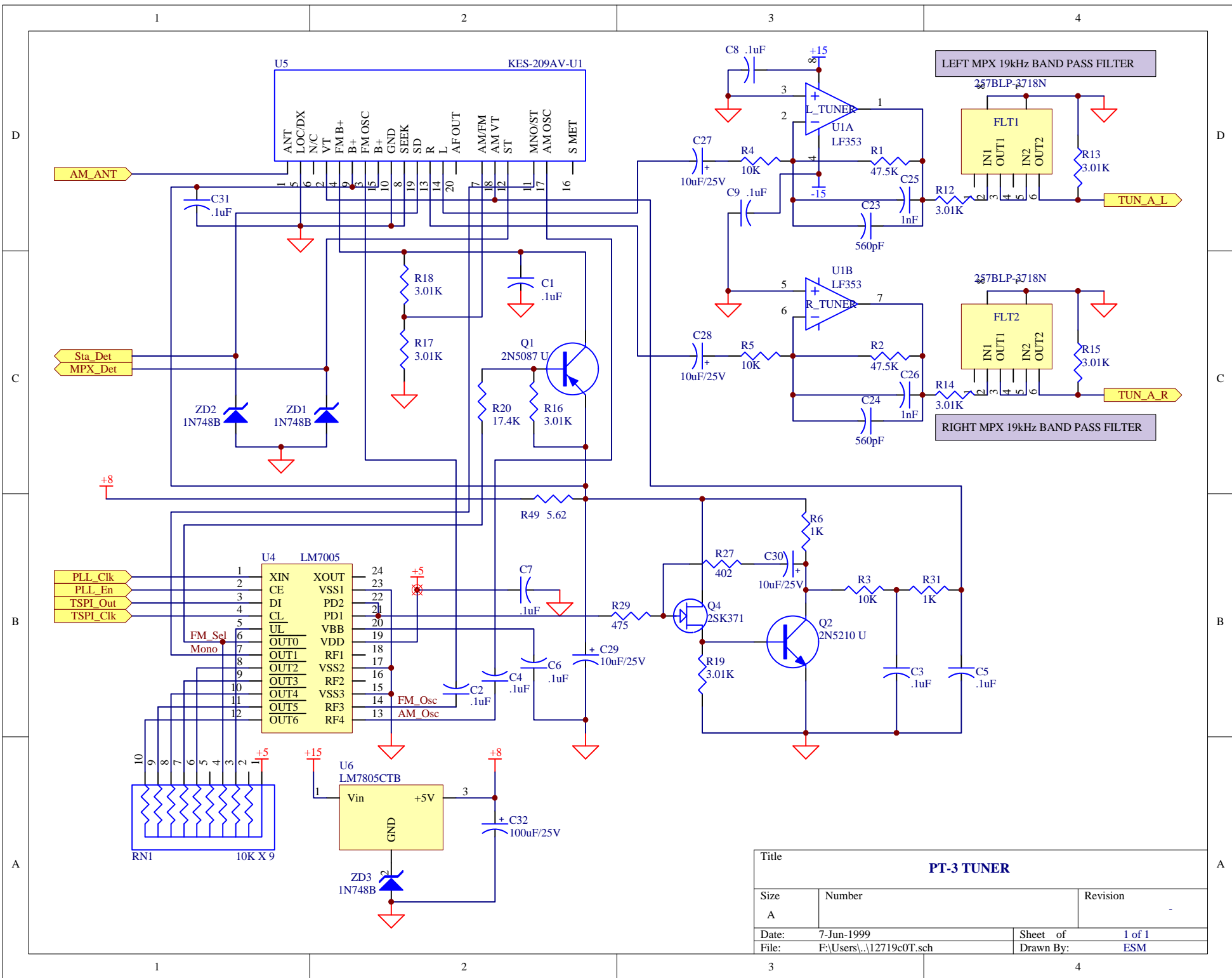


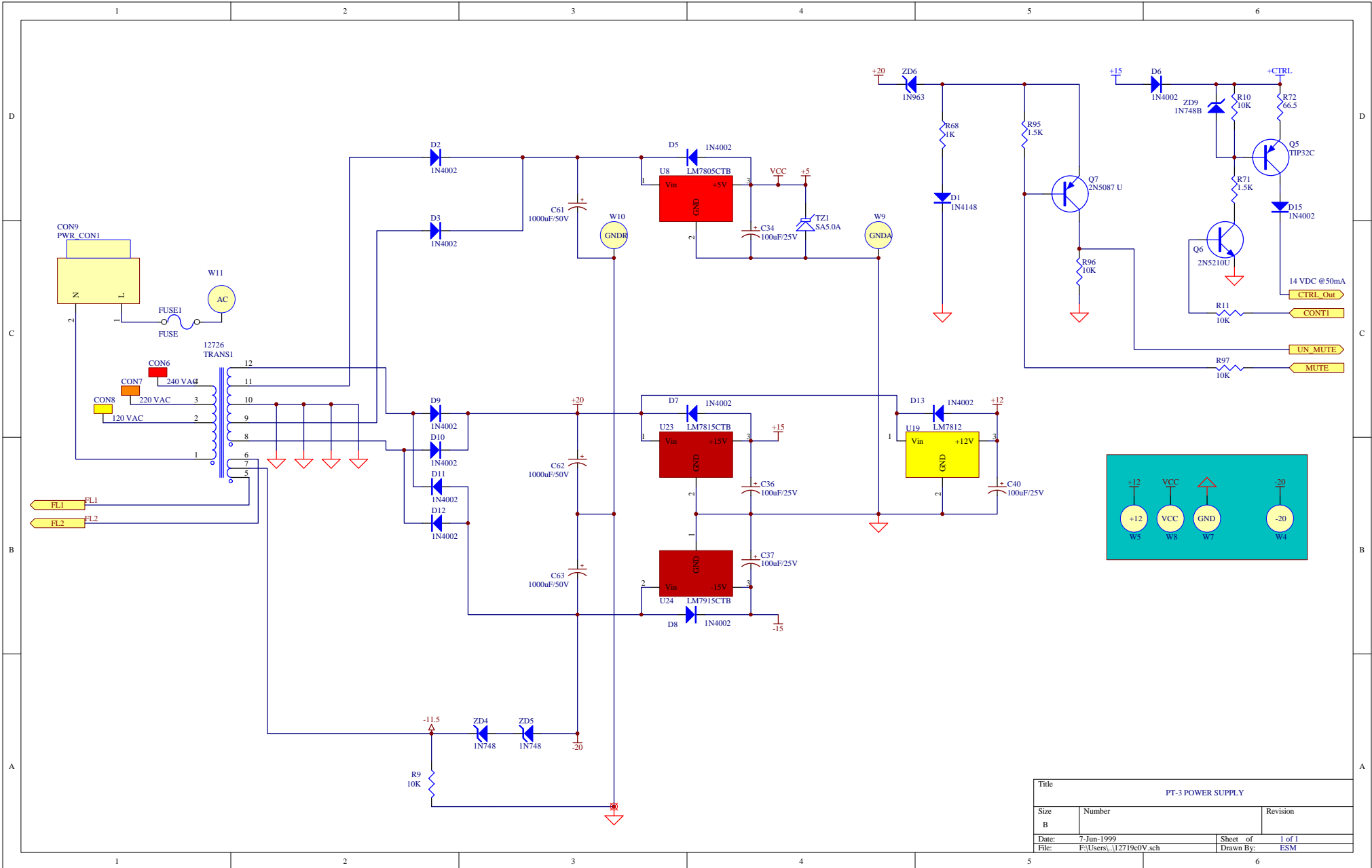
Title		
PT-3 MAIN CONNECTOR/SWITCH		
Size	Number	Revision
A		-
Date:	7-Jun-1999	Sheet of 1 of 1
File:	F:\Users\...\12719c0C.sch	Drawn By: ESM





Title		
PT-3 AUDIO SELECTOR		
Size	Number	Revision
B		
Date:	7-Jun-1999	Sheet of 1 of 1
File:	F:\Users\12719\OP.sch	Drawn By: ESM





Title		
PT-3 POWER SUPPLY		
Size	Number	Revision
B		
Date:	7-Jun-1999	Sheet of 1 of 1
File:	F:\Users\...12719;0V.sch	Drawn By: ESM