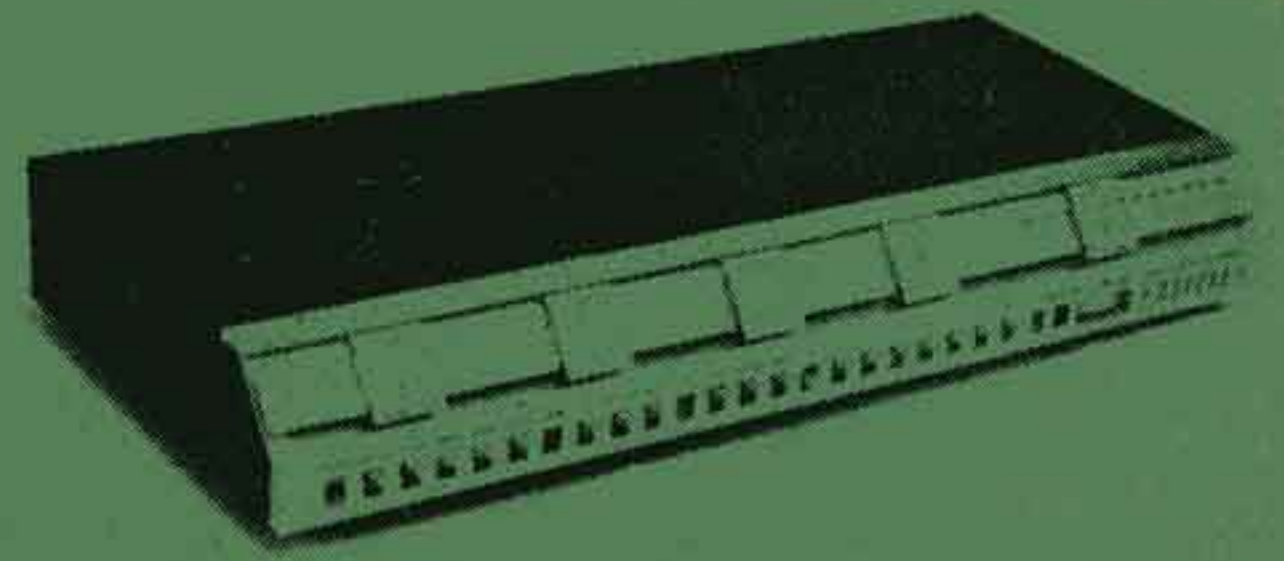


I

Bang & Olufsen

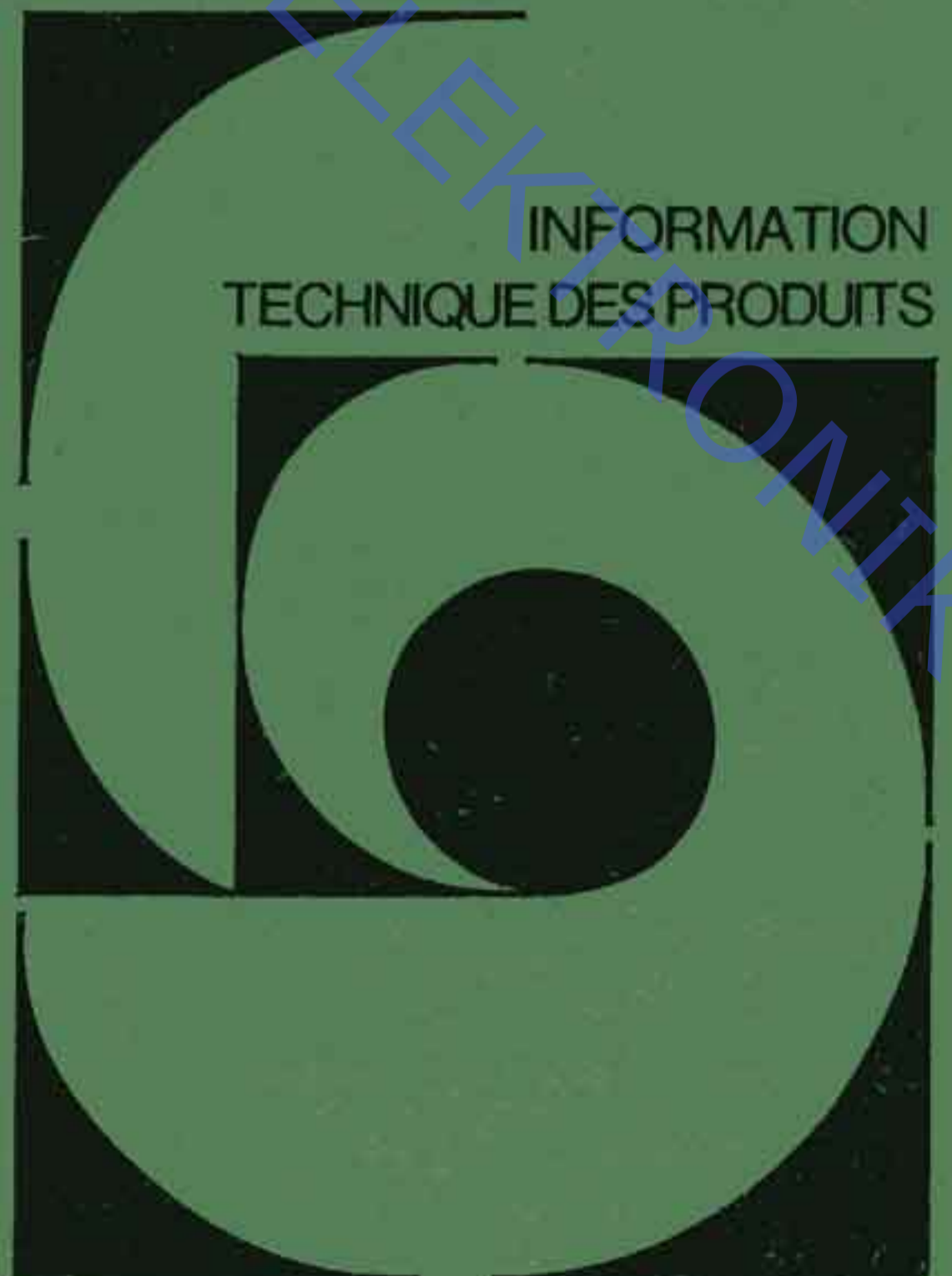
BEOMASTER 4400

TYPE 2417



ABO-CENTER V/HENRIKSENS ELEKTRONIK

INFORMATION
TECHNIQUE DES PRODUITS



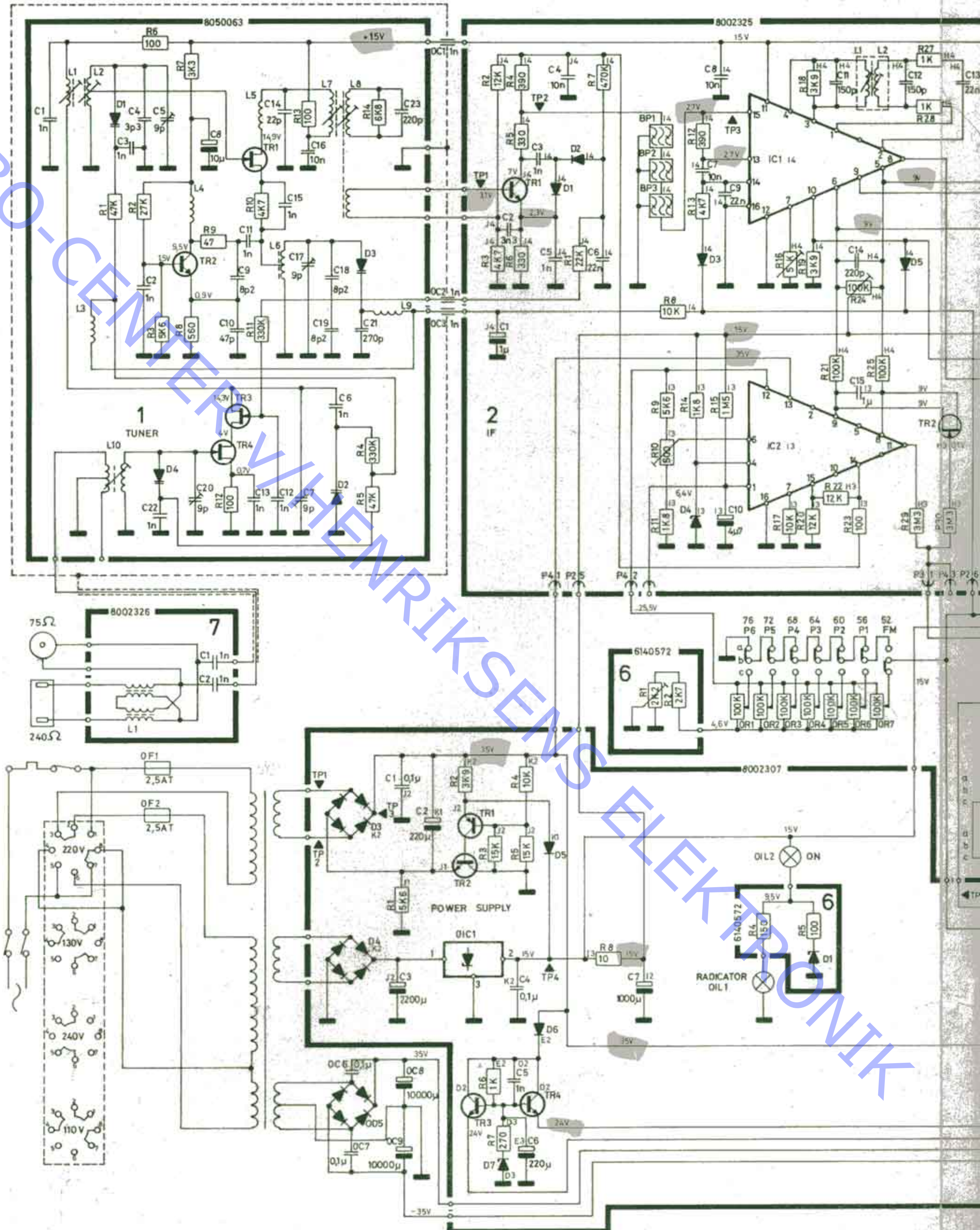
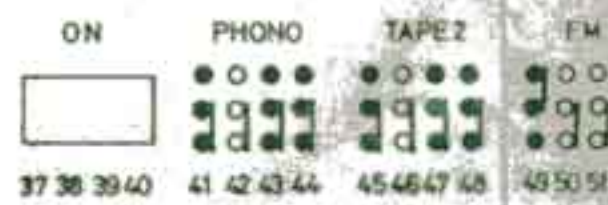
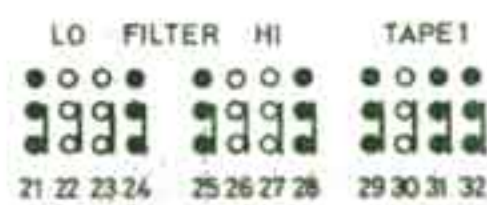
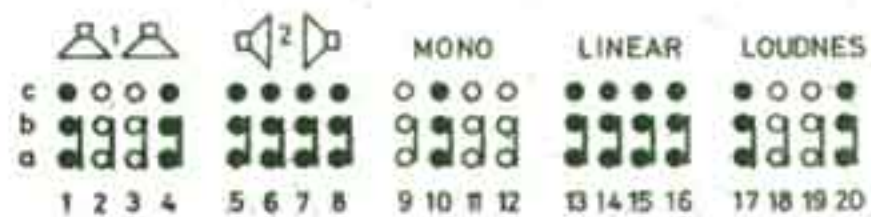
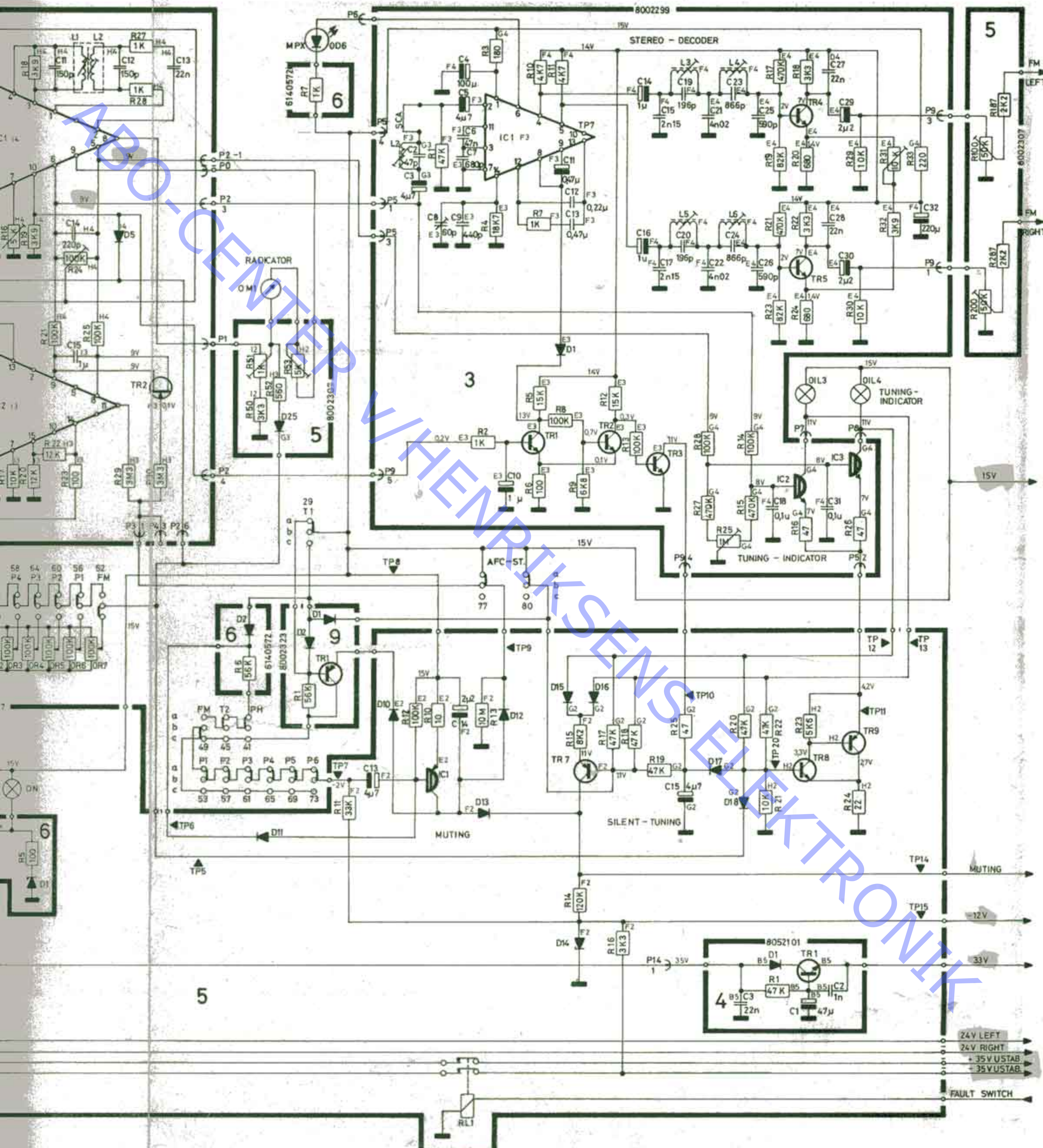


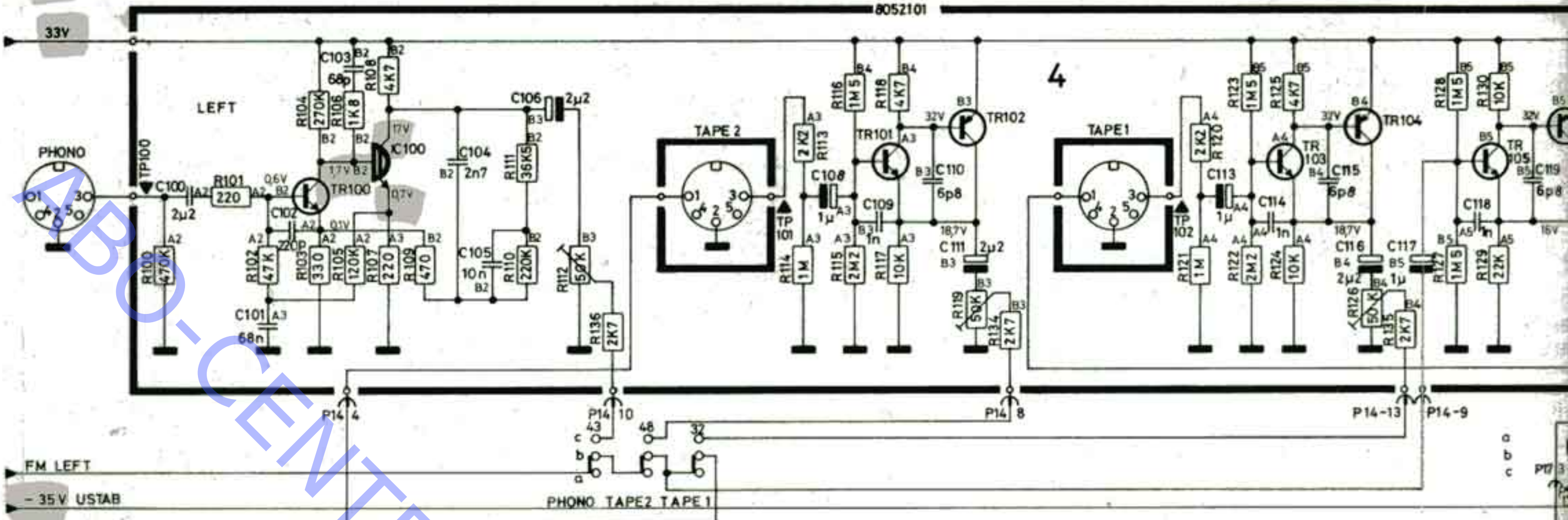
DIAGRAM 1





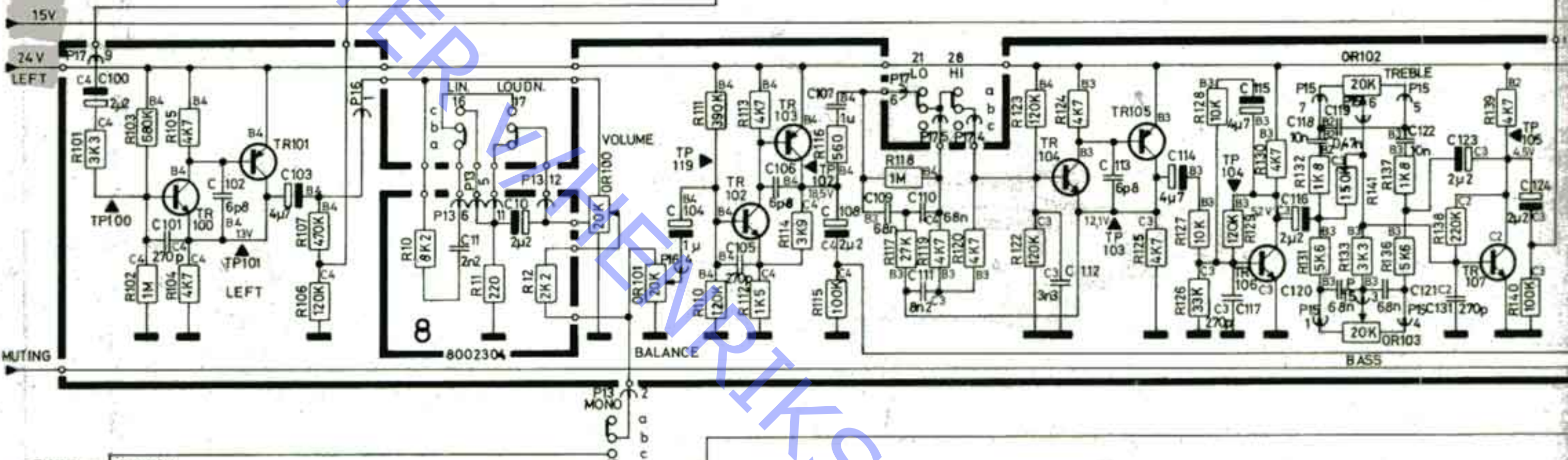
| | | | | | | | | | | |
|-------------|-------------|-------------|-------------|-------------|-------------|-------------|-------------|-------------|-------------|-------------|
| ON | PHONO | TAPE2 | FM | P1 | P2 | P3 | P4 | P5 | P6 | AFC/ST |
| 37 38 39 40 | 41 42 43 44 | 45 46 47 48 | 49 50 51 52 | 53 54 55 56 | 57 58 59 60 | 61 62 63 64 | 65 66 67 68 | 69 70 71 72 | 73 74 75 76 | 77 78 79 80 |

• 35V USTAB



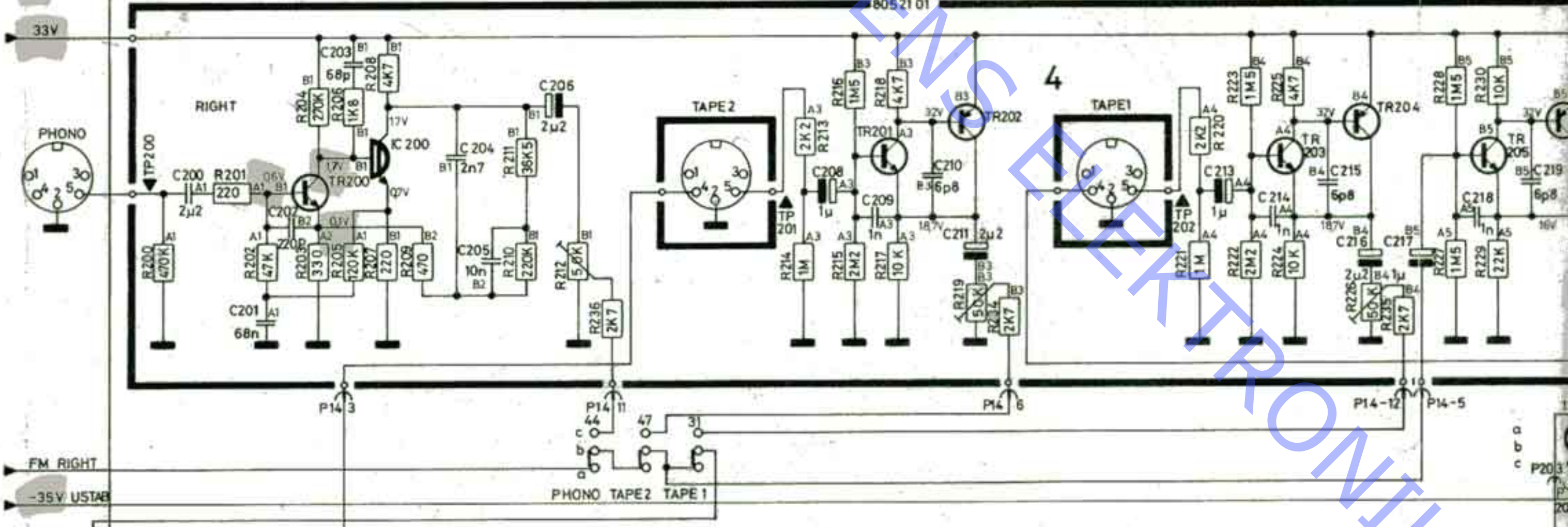
FM LEFT

- 35V USTAB



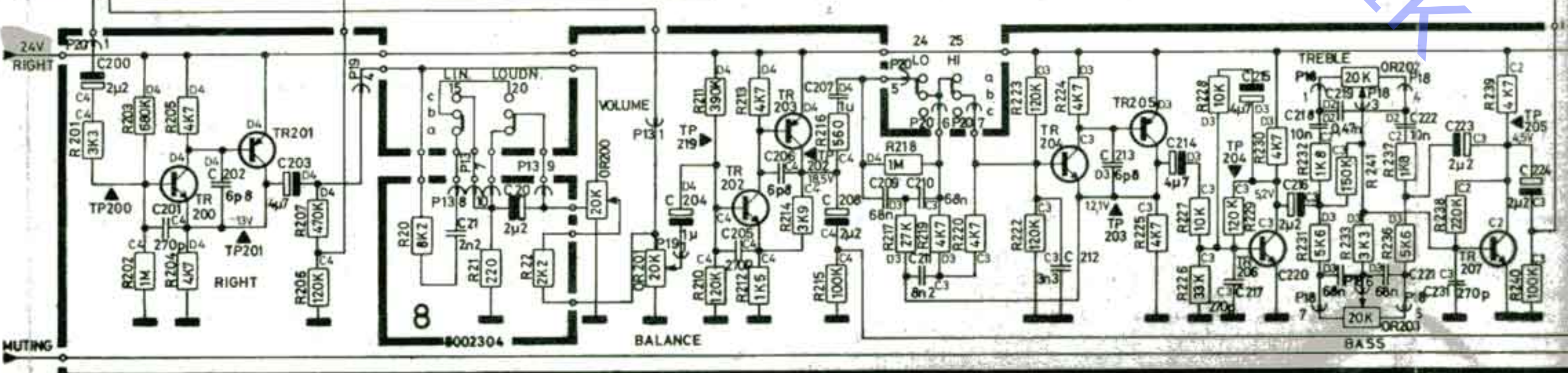
FAULT - SWITCH

• 35V USTAB



FM RIGHT

- 35V USTAB



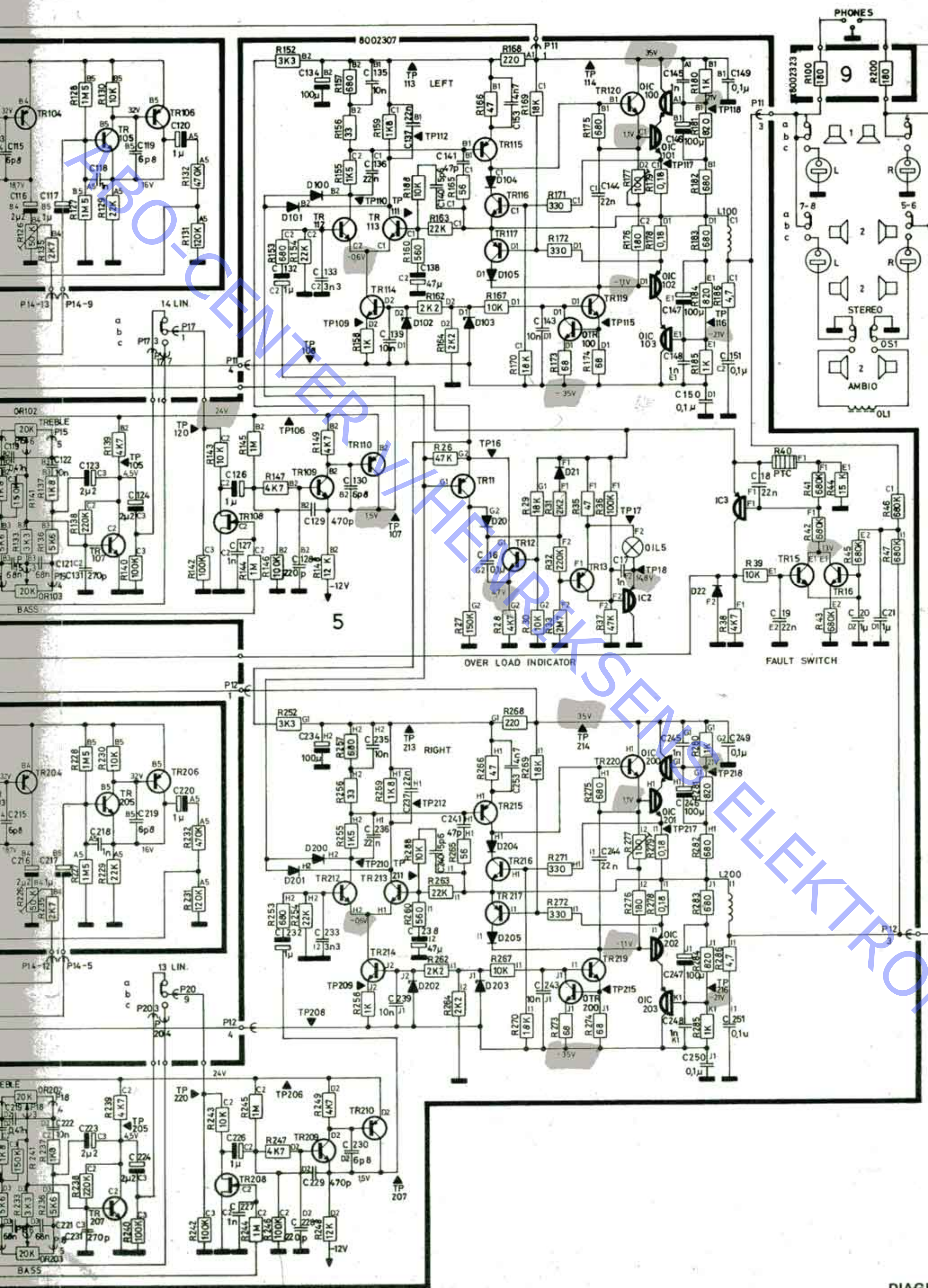


DIAGRAM 2