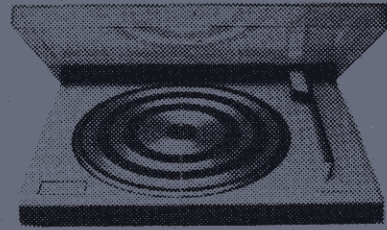


Bang & Olufsen

BEOGRAM 1102 - 1902

TYPE 5715 - 5711



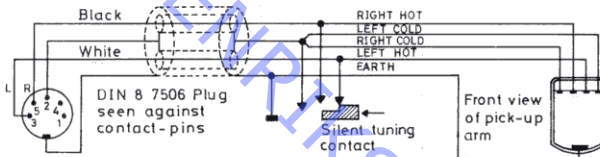
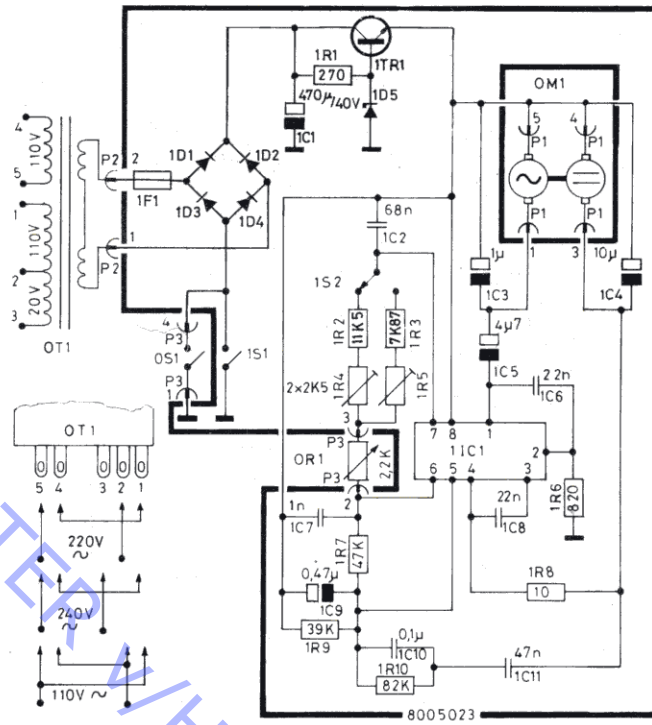
Camille ~~273 2037~~
~~273 2061~~
273 2061

ABO-CENTER V/HENRIKSENS ELEKTRONIK

MANUEL d'ENTRETIEN



DIAGRAM



ELECTRICAL PARTS LIST

PC 1 8005023

1R1	5010000	270 Ohms 5% 1/8W
1R2	5020114	11K5 Ohms 1% 1/8W
1R3	5020116	7K87 Ohms 1% 1/8W
1R4	5370173	2K5 Ohms 20% 0,1W
1R5	5370173	2K5 Ohms 20% 0,1W
1R6	5010068	820 Ohms 5% 1/8W
1R7	5010045	47 KOhms 5% 1/8W
1R8	5100023	10 Ohms 10% 1W
1R9	5010060	39 KOhms 5% 1/8W
1R10	5010091	82 KOhms 5% 1/8W

1C1	4201029	470 µF 40V
1C2	4100098	68 nF 2,5% 63V
1C3	4201057	1 µF 35V TANT.
1C4	4201081	10 µF 63V
1C5	4201061	4µ7F 63V
1C6	4010060	22 nF 40V
1C7	4010027	1 nF 10% 100V
1C8	4010060	22 nF 40V
1C9	4201058	0,47 µF 35V TANT.
1C10	4130103	100 nF 20% 250V
1C11	4130087	47 nF 10% 250V

1F1 6600028 315 mA-T 250V

TR-LIST

1TR1 8320266 33 TIP 31

IC-LIST

1IC1 8340108 109 1003C2

DIODE-LIST

1D1 - 1D4	8300023	1N 4002
		1N 4003
1D5	8300029	ZPD 12 5%
		BZX 79C 12V
		BZX 83C 12V

