

VS110 AMPLIFIER

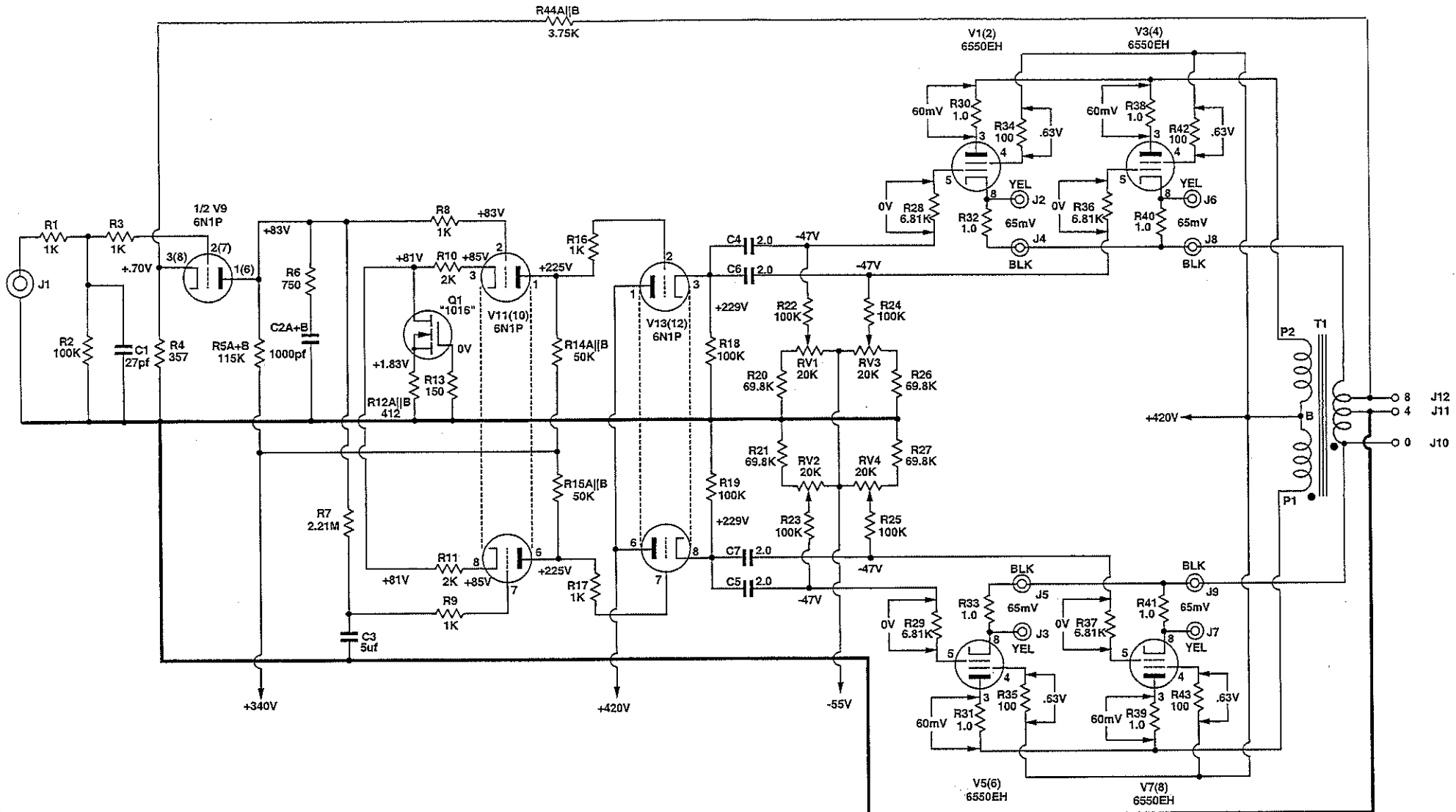
POWER SUPPLY
REV 1

PAGE 2 OF 2 5-16-02

AUDIO RESEARCH CORPORATION

3900 ANNAPOLIS LANE NORTH
PLYMOUTH, MN 55447-5447

PROPRIETARY NOTICE: THIS DRAWING CONTAINS PATENTED, PATENT APPLIED FOR, AND/OR OTHER CIRCUITRY CONSIDERED PROPRIETARY BY AUDIO RESEARCH CORPORATION AND IS FURNISHED ON A CONFIDENTIAL BASIS FOR IDENTIFICATION PURPOSES ONLY.



VS110AUDIO
PAGE 1 OF 2 4/9/02

AUDIO RESEARCH CORPORATION
3900 ANNAPOLIS LANE NORTH
PLYMOUTH, MN 55447-5447

PROPRIETARY NOTICE: THIS DRAWING CONTAINS PATENTED, PATENT APPLIED FOR, AND/OR OTHER CIRCUITRY CONSIDERED PROPRIETARY BY AUDIO RESEARCH CORPORATION AND IS FURNISHED ON A CONFIDENTIAL BASIS FOR IDENTIFICATION PURPOSES ONLY.