

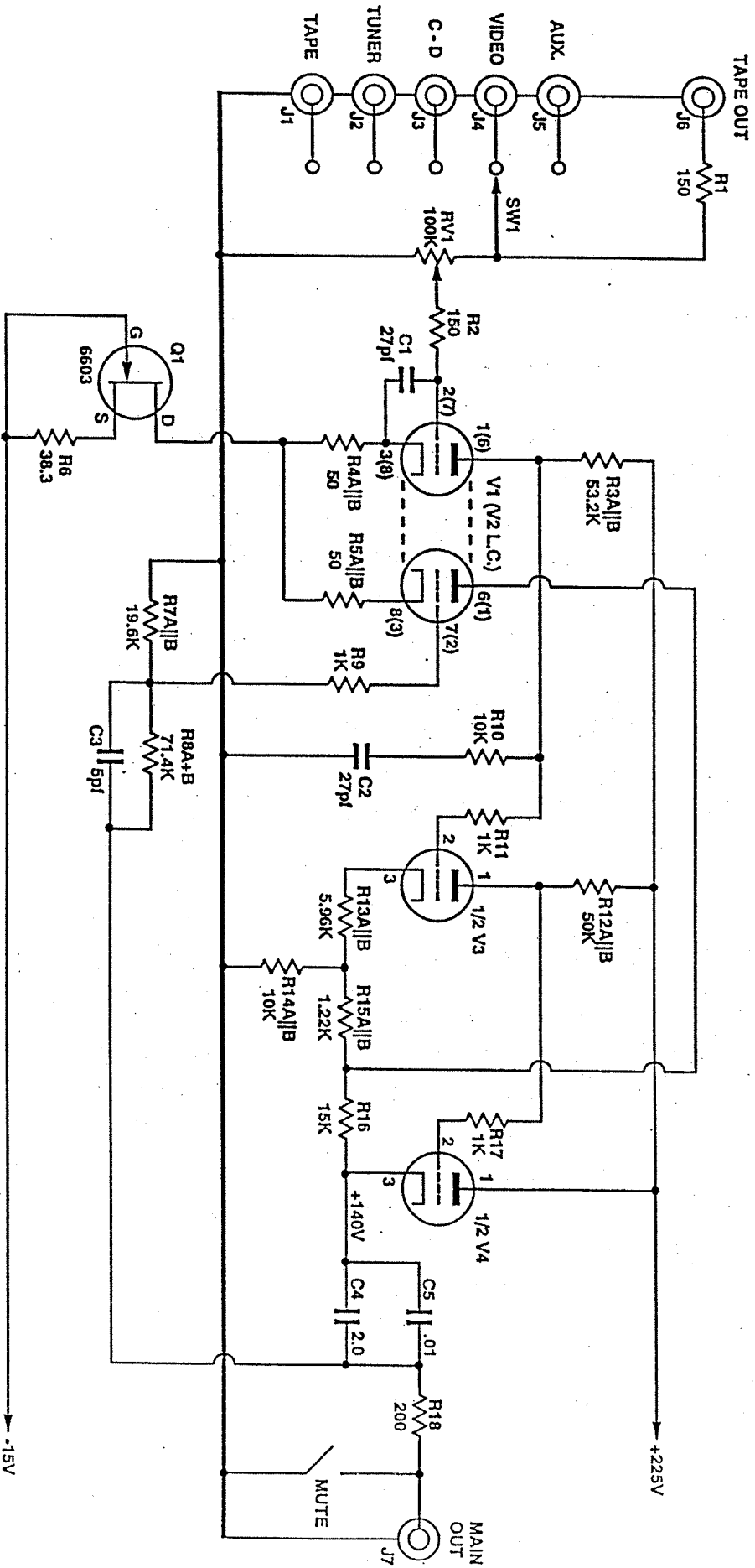
# **audio research**

H I G H D E F I N I T I O N<sup>®</sup>

3900 ANNAPOLIS LANE NORTH / PLYMOUTH, MINNESOTA 55447-5447 / PHONE: 763-577-9700 FAX 763-577-0323

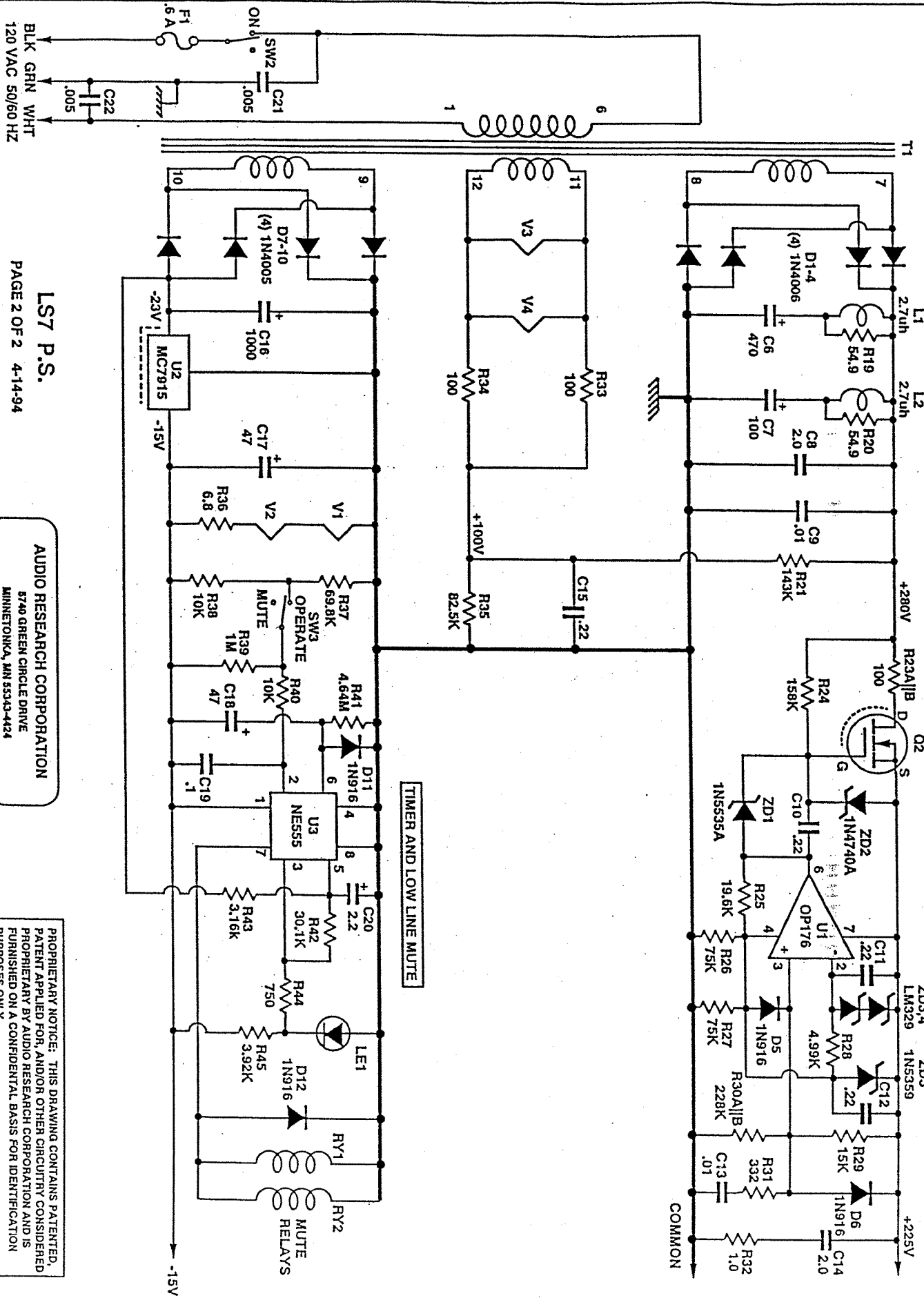
## LS7 PREAMPLIFIER SCHEMATIC

4-14-94 Schematic



AUDIO RESEARCH CORPORATION  
5740 GREEN CIRCLE DRIVE  
MINNETONKA, MINNESOTA 55343-4424

PROPRIETARY NOTICE: THIS DRAWING CONTAINS PATENTED,  
PATENT APPLIED FOR, AND/OR OTHER CIRCUITRY CONSIDERED  
PROPRIETARY BY AUDIO RESEARCH CORPORATION AND IS  
FURNISHED ON A CONFIDENTIAL BASIS FOR IDENTIFICATION  
PURPOSES ONLY.



**LS7 P.S.**

PAGE 2 OF 2 4-14-94

**AUDIO RESEARCH CORPORATION**  
 8740 GREEN CIRCLE DRIVE  
 MINNETONKA, MN 55343-4424

PROPRIETARY NOTICE: THIS DRAWING CONTAINS PATENTED,  
 PATENT APPLIED FOR, AND/OR OTHER CIRCUITRY CONSIDERED  
 PROPRIETARY BY AUDIO RESEARCH CORPORATION AND IS  
 FURNISHED ON A CONFIDENTIAL BASIS FOR IDENTIFICATION  
 PURPOSES ONLY.

# **audio research**

H I G H D E F I N I T I O N<sup>®</sup>

3900 ANNAPOLIS LANE NORTH / PLYMOUTH, MINNESOTA 55447-5447 / PHONE: 763-577-9700 FAX 763-577-0323

LS7 PREAMPLIFIER

PARTS LIST

4-20-94

## PARTS LIST

As of APR 20 94

PRODUCT: LS7

NOTES:

Schematic Symbol	Quantity	ARC Part #	Description
<b>C CAPACITORS</b>			
C1,2	4	53270101	CAP. 27 PF +/-1PF 630V PNP
C3	2	53500001	CAP. 5 PF +/-1PF 630V DPN
C4,14	3	53200603	CAP. 2 UF +/-10% 250V
C5,13	3	53100406	CAP. .01 UF +/-10% 630V
C6	1	50470805	CAP. 470 UF 400V
C7	1	50100508	CAP. 100 UF 450V
C8	1	53200602	CAP. 2 UF +/-10% 450V
C9	1	53100412	CAP. .01UF 600V
C10,11,12,15	4	53220507	CAP. .22 UF 10% 160V
C16	1	50100908	CAP. 1000 UF 63V
C17,18	2	50470701	CAP. 47UF 35V
C19	1	53100505	CAP. .1 UF 10% 63V
C20	1	51220601	CAP. 2.2 UF +/-10% 25V
C21,22	2	52500300	CAP. .005 UF 20% CERAMIC DISC
<b>D DIODES</b>			
D1-4	4	30502200	IN4006
D5,6,11,12	4	30500910	1N916B
D7-10	4	30500400	IN4005 GENERAL INSTRUMENT
<b>J CONNECTORS</b>			
J1-7	7	23201509	CHASSIS JACK,RED
J1-7	7	23201510	CHASSIS JACK,WHITE
<b>L INDUCTORS</b>			
L1,2	2	61000160	CHOKER, 2.7 UH +/- 10%
<b>LE PANEL INDICATOR</b>			
LE1	1	34300102	L.E.D. COLLAR & RETAINING RING
<b>Q TRANSISTORS</b>			
Q1	2	30006603	FET, VIOLET ORANGE
Q2	1	30006761	FET, ORANGE YELLOW BROWN
<b>R RESISTORS</b>			
R1,2	4	42150203	RES. 150 OHM 1% MK-3 50PPM
R3A,35	3	42825405	RES. 82.5K 1% MK-8 50PPM
R3B	2	42150514	RES. 150K 1% MK-5 1W 50PPM
R4A,4B,5A,5B,33,34	10	42100203	RES. 100 OHM 1% MK-3 50PPM
R6	2	42383103	RES. 38.3 OHM 1% MK-3 50PPM
R7A,7B	4	42392403	RES. 39.2K 1% MK-3 50PPM
R8A,8B	4	42357403	RES. 35.7K 1% MK-3 50PPM
R9,11,17	6	42100303	RES. 1K 1% MK-3 50PPM
R10,38,40	4	42100403	RES. 10K +/-1% MK-3 50PPM
R12A,12B	4	42100505	RES. 100K 1% MK-8 50PPM
R13A	2	42110403	RES. 11K 1% MK-3 50PPM
R13B	2	42130403	RES. 13K 1% MK-3 50PPM

## PARTS LIST

As of APR 20 94

PRODUCT: LS7

NOTES:

Schematic Symbol	Quantity	ARC Part #	Description
R14A,14B	4	42200414	RES. 20K 1% MK-5 50PPM
R15A,43	3	42316303	RES. 3.16K 1% MK-3 50PPM
R15B	2	42200303	RES. 2K MK-3 1% 50PPM
R16	2	42150414	RES. 15K 1% MK-5 50PPM
R18,23A,23B	4	42200205	RES. 200 OHM+/-1% MK8 50PPM
R19,20	2	42549103	RES. 54.9 OHM 1% MK-3 50PPM
R21	1	42143505	RES. 143K 1% MK-8 50PPM
R24	1	42158513	RES. 158K 1% MK-4 50PPM
R25	1	42196403	RES. 19.6K 1% MK-3 50PPM
R26,27	2	42750405	RES. 75K 1% MK-8 50PPM
R28	1	42499303	RES. 4.99K 1% MK-3 50PPM
R29	1	42150403	RES. 15K 1% MK-3 50PPM
R30A	1	42280513	RES. 280K1% MK-4 50PPM
R30B	1	42124603	RES. 1.24 MEG 1% MK-350PPM
R31	1	42332203	RES. 332 OHM 1% MK-3 50PPM
R32	1	43100002	RES. 1 OHM 2W 5% W.W.
R36	1	43680000	RES. 6.8 OHM 2W 5% SPH
R37	1	42698403	RES. 69.8K 1% MK-3 50PPM
R39	1	42100603	RES. 1 MEG 1% MK-3 50PPM
R41	1	42464603	RES. 4.64 MEG. 1% MK-3 50PPM
R42	1	42301403	RES. 30.1K 1% MK3 50PPM
R44	1	42750203	RES. 750 OHM 1% MK-3 50PPM
R45	1	42392303	RES. 3.92K 1% MK-3 50PPM
		<b>RV</b>	<b>CONTROLS</b>
RV1	1	45100528	100K DUAL GAIN POT
		<b>RY</b>	<b>RELAYS</b>
RY1,2	2	64101000	RELAY, 12V REED S1P 1200 OHM
		<b>SW</b>	<b>SWITCHES</b>
SW1	1	24002400	LS2 SWITCH WAFER
SW1,2	2	24100730	TOGGLE SWITCH SILVER, SATIN
		<b>T</b>	<b>TRANSFORMERS</b>
T1	1	60011700	XFR. LS7 120V
		<b>U</b>	<b>INTEGRATED CIRCUITS</b>
U1	1	31002210	OP176GP
U2	1	31002700	MC7915 CT MOT.
U3	1	31000800	NE555N TIMER
		<b>V</b>	<b>VACUUM TUBES</b>
V1-4	4	32001150	VAC.TUBE 6922 RUSSIAN

## PARTS LIST

As of APR 20 94

PRODUCT: LS7

NOTES:

Schematic Symbol	Quantity	ARC Part #	Description
ZD			ZENER DIODES
ZD1	1	30504210	IN5535A (KNOX ONLY)
ZD2	1	30500300	IN4740A
ZD3,4	2	31000705	LM329DZ GREEN
ZD5	1	30503500	IN5359 B