

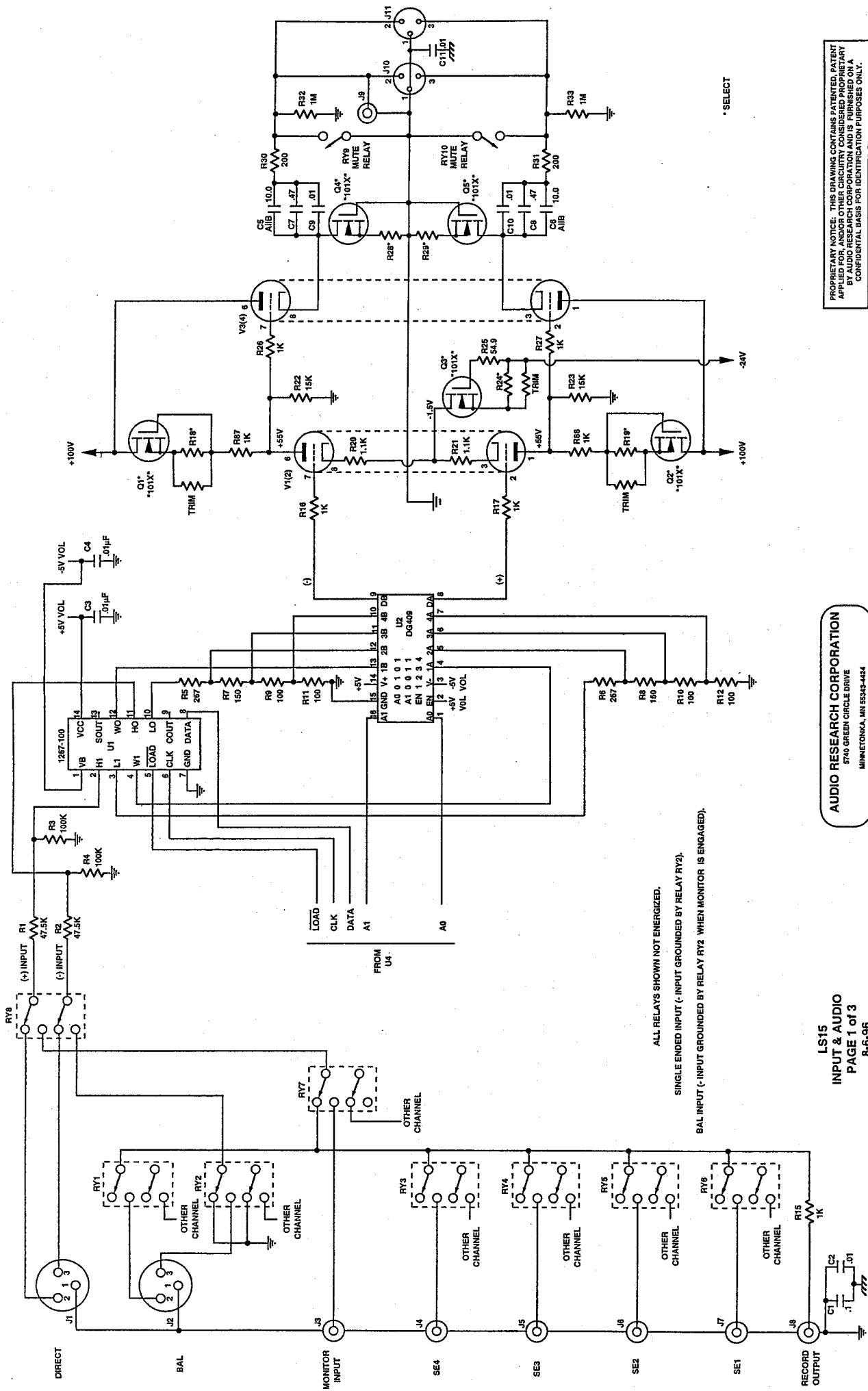
audio research

H I G H D E F I N I T I O N[®]

5740 GREEN CIRCLE DRIVE / MINNETONKA, MINNESOTA 55343-4424 / PHONE 612/939-0600 FAX 612/939-0604

LS15 PREAMPLIFIER
SCHEMATIC AND
PARTS LIST

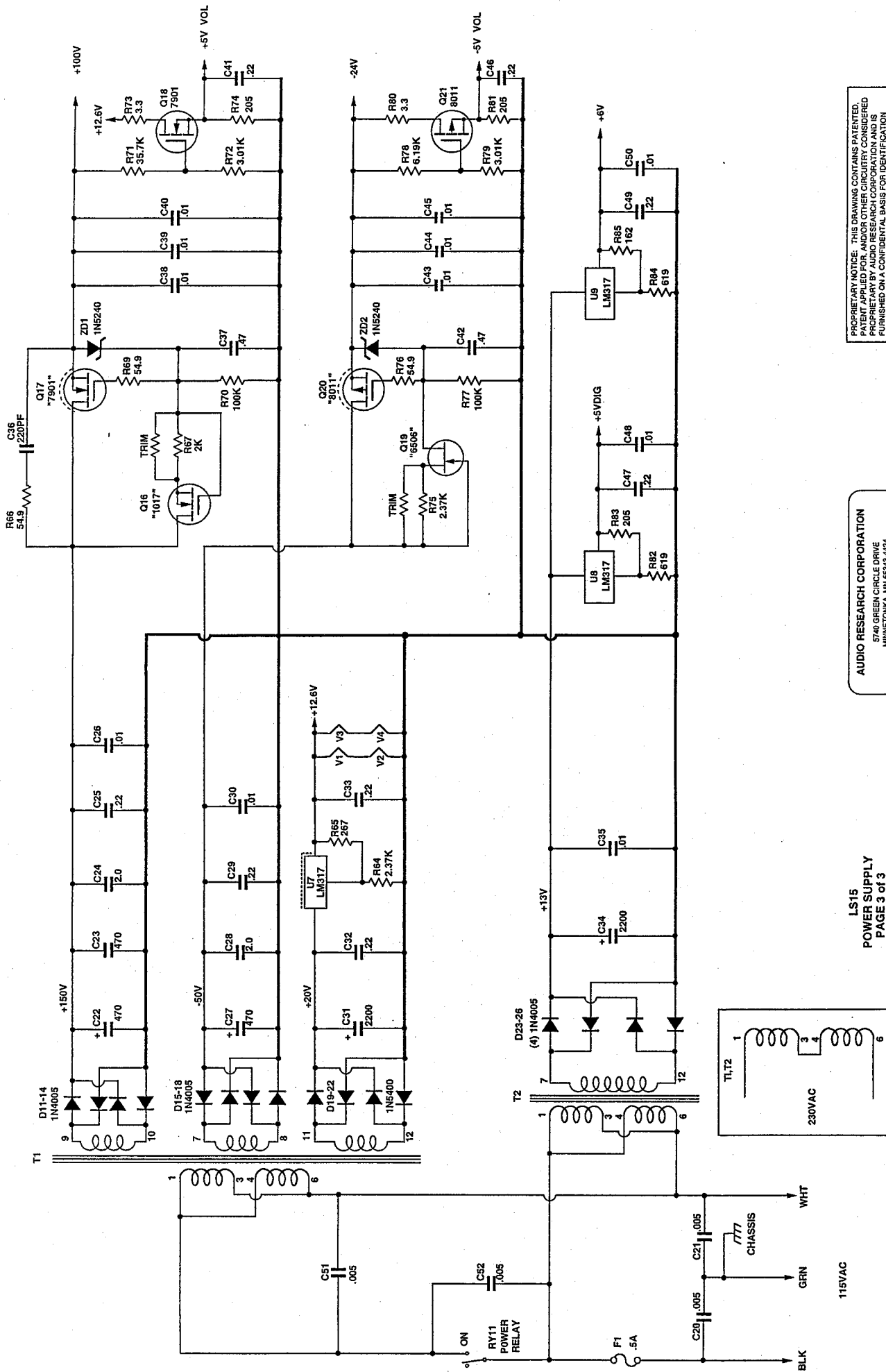
8-6-96



ALL RELAYS SHOWN NOT ENERGIZED.
 SINGLE ENDED INPUT (- INPUT GROUNDED BY RELAY RY2).
 BAL INPUT (- INPUT GROUNDED BY RELAY RY2 WHEN MONITOR IS ENGAGED).

AUDIO RESEARCH CORPORATION
 5740 GREEN CIRCLE DRIVE
 MINNETONKA, MN 55345-4844

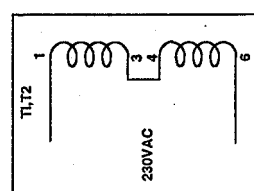
PROPRIETARY NOTICE: THIS DRAWING CONTAINS PATENTED, PATENT PENDING AND UNPATENTED INFORMATION OF AUDIO RESEARCH CORPORATION AND IS FURNISHED ON A CONFIDENTIAL BASIS FOR IDENTIFICATION PURPOSES ONLY.



PROPRIETARY NOTICE: THIS DRAWING CONTAINS PATENTED PATENT APPLIED FOR, AND/OR OTHER CIRCUITRY CONSIDERED PROPRIETARY BY AUDIO RESEARCH CORPORATION AND IS FURNISHED ON A CONFIDENTIAL BASIS FOR IDENTIFICATION PURPOSES ONLY.

AUDIO RESEARCH CORPORATION
5740 GREEN CIRCLE DRIVE
MINNETONKA, MN 55345-4424

LS15
POWER SUPPLY
PAGE 3 of 3
8-6-96



PARTS LIST

As of AUG 26 96

8/26/96

PRODUCT: LS15-7

NOTES: REV. LEVEL 7

Schematic Symbol	Quantity	ARC Part #	Description
C CAPACITORS			
C5A/B,6A/B	8	53500606	CAP., 5 μ F \pm 20% 250V
C1,15	3	52100500	CAP., 0.1 μ f 100V \pm 20%
C2,3,4,11,12,14,16,18	12	52100400	CAP., .01 μ f 200V \pm 10%
C7,8,37,42	6	53470511	CAP., .47 μ f \pm 20% 250V
C9,10	4	53100406	CAP., .01 μ f \pm 10% 630V
C13,17,19	3	50470701	CAP., 47 μ F 35V \pm 20%
C20,21,51,52	3	52500300	CAP., .005 μ F 300VAC/2000V \pm 20%
C24,28	2	53200603	CAP., 2 μ F \pm 10% 250V
C25,29,32,33,41,46,47,49	8	53220507	CAP., .22 μ f \pm 10% 160V
C26,30,35,38,39,40,43,44,45,48,50	11	53100410	CAP., .01 μ f \pm 10% 400V
C27	1	50470803	CAP., 470 μ F 100V "LYTIC"
C31,34	2	50220903	CAP., 2200 μ F 35V "LYTIC"
C36	1	53220201	CAP., 220pf \pm 2.5% 630V PPN
D DIODES			
D1-10	10	30500910	1N916B
D11-18,D23-26	12	30500400	IN4005
D19-22	4	30501500	IN5400
F FUSES			
F1	1	34500203	FUSE, 1/2 AMP MDQ BUSSMAN
J CONNECTORS			
J1,2	4	23201960	CONNECTOR, XLR FEM. #NC3FD-V-B
J3-9	7	23201509	JACK, CHASSIS RED
J3-10 ⁹ Fixed in COMPUTER	7	23201510	JACK, CHASSIS WHITE
J10,11	4	23201965	CONNECTOR, XLR MALE #NC3MD-V-B
LE PANEL INDICATOR			
LE1-29	29	34300300	L.E.D., GREEN SPOT LTL-1234A
Q TRANSISTORS			
Q1-5	10	30011016	FET, GREEN/WHITE/BLUE
Q6-15	10	30002800	TRANSISTOR, 2N4401
Q16	1	30011017	FET, GREEN/WHITE/VIOLET
Q17,18	2	30007901	FET, RED ORANGE
Q19	1	30006506	FET, WHITE BLUE
Q20,21	2	30008001	FET, RED GREEN
R RESISTORS			
R1,2	4	42475414	RES., 47.5K Ω MK-5 1% 50PPM
R3,4	4	42100502	RES., 100K Ω MK-2 1% 50PPM
R5,6,65	5	42267203	RES., 267 Ω MK-3 1% 50PPM
R7,8	4	42150202	RES., 150 Ω MK-2 1% 50PPM
R9-12	9	42100202	RES., 100 Ω MK-2 1% 50 PPM
R13,14	2	42475302	RES., 4.75K Ω MK-2 1% 50 PPM
R15,58-63	8	42100303	RES., 1K Ω MK-3 1% 50PPM

PARTS LIST

As of AUG 26 96

PRODUCT: LS15-7

NOTES: REV. LEVEL 7'

Schematic Symbol	Quantity	ARC Part #	Description
R16,17,26,27	8	42100314	RES., 1K Ω MK-5 1% 50PPM
R18,19,24,28,29	8	42XXX03	RES., MK-3 TRIM VALUE
R20,21	4	42110303	RES., 1.10K Ω MK3 1% 25PPM
R22,23	4	42150405	RES., 15K Ω MK-8 1% 50PPM
R25,66,69,76	5	42549103	RES., 54.9 Ω MK-3 1% 50PPM
R30,31	4	42200205	RES., 200 Ω MK8 1% 50PPM
R32,33	4	42100603	RES., 1 MEG MK-3 1% 50PPM
R34	1	42475002	RES., 4.75 Ω MK-2 1% 50 PPM
R35	1	42475402	RES., 47.5K Ω MK-2 1% 50 PPM
R36,44,45	4	42100002	RES., 1 Ω MK-2 1% 50 PPM
R37,43,46-50	7	42332203	RES., 332 Ω MK-3 1% 50PPM
R38,41,42,51-57,86	11	42100402	RES., 10K Ω MK-2 1% 50 PPM
R39	1	42100103	RES., 10 Ω MK-3 1% 50PPM
R40	1	42150403	RES., 15K Ω MK-3 1% 50PPM
R64,75	2	42237303	RES., 2.37K Ω MK-3 1% 50PPM
R70,77	2	42100503	RES., 100K Ω MK-3 1% 50PPM
R71	1	42357403	RES., 35.7K Ω MK-3 1% 50PPM
R72,79	2	42301303	RES., 3.01K Ω MK-3 1% 50PPM
R73,80	2	43330001	RES., 3.3 Ω 3W \pm 5% W.W.
R74,81,83	7	42205203	RES., 205 Ω MK-3 1% 50PPM
R78	1	42619303	RES., 6.19K Ω MK-3 1% 50 PPM
R82,84	2	42619203	RES., 619 Ω MK-3 1% 50PPM
R85	1	42162203	RES., 162 Ω MK-3 1% 50PPM
RY RELAYS			
RY1-8	9	64101600	RELAY, 12VDC
RY9,10	4	64101010	RELAY, 5 VDC 500 Ω COIL
RY11	1	64101310	RELAY, MUTE VTM120
SW SWITCHES			
SW1,2	2	24003400	SWITCH, ROTARY UP-DOWN LS15
SW3-6	4	24102700	SWITCH, TOGGLE LS15
T TRANSFORMERS			
T1	1	60013714	XFR., LS15 5V (115/130V.)
T2	1	60013614	XFR., LS15 10V (115/130V.)
U INTEGRATED CIRCUITS			
U1	2	31008201	POT., DIGITAL DS1267-100
U2	2	31003820	DUAL ANALOG SWITCH DG409DJ
U3	1	31008300	MC68HC705J1A, MOTOROLA
U4,5	2	31006800	REGISTER, LATCH
U6	1	31008400	LX7001CLP, LINFINITY
U7,8,9	3	31004000	REGULATOR, VOLTAGE ADJ POS.

PARTS LIST

As of AUG 26 96

PRODUCT: LS15-7

NOTES: REV. LEVEL 7

Schematic Symbol		Quantity	ARC Part #	Description
	V			VACUUM TUBES
V1-4		4	32001161	VAC. TUBE, 6922 SILVER TESTED
	X			CRYSTALS
X1		1	27000200	RESONATOR, 4Mhz #EFO-GC4004A4
	ZD			ZENER DIODES
ZD1,2		2	30504400	IN5240B