

TRANSFORMER PRIMARY WIRING

VOLTAGE	LEAD CONNECTIONS
120 VAC	BLU TO BLK, BLK/WHT TO BLU/WHT
240 VAC	BLK/WHT TO BLU

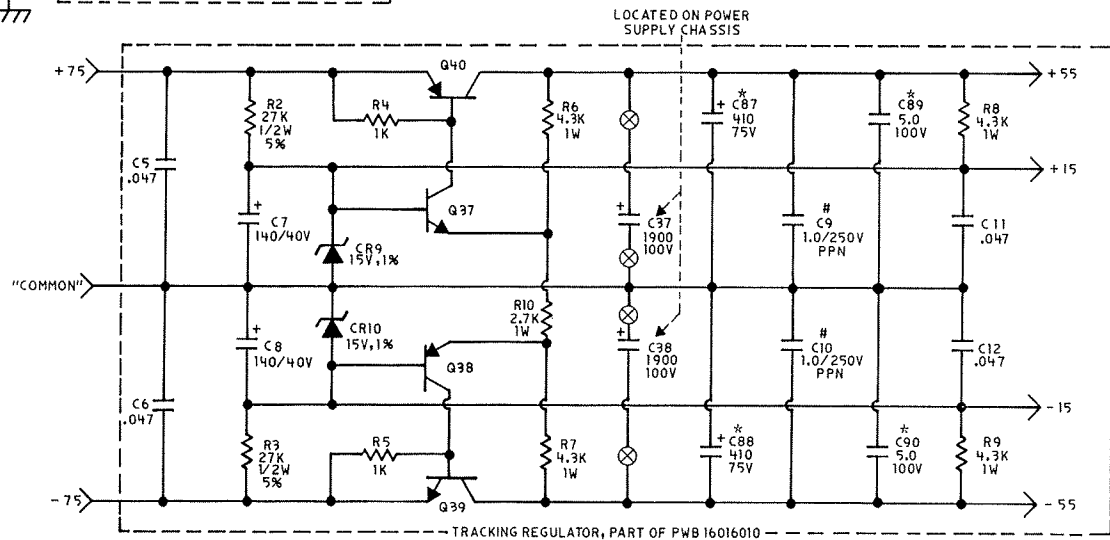
(120 VAC WIRING SHOWN)

NOTES:

1. - CR1-CR4 ARE 1N4005
2. - BR1 = VARO VK248
3. - SW2 MOUNTED ON HEAT SINK ASSEMBLY
4. - ALL CAP. IN μ F & RES. 1/4W UNLESS NOTED
5. - Q37, 38 ARE M.P., OUR NO. 30001100 & 30002100
6. - Q39, 40 ARE M.P., OUR NO. 30002400 & 30002500

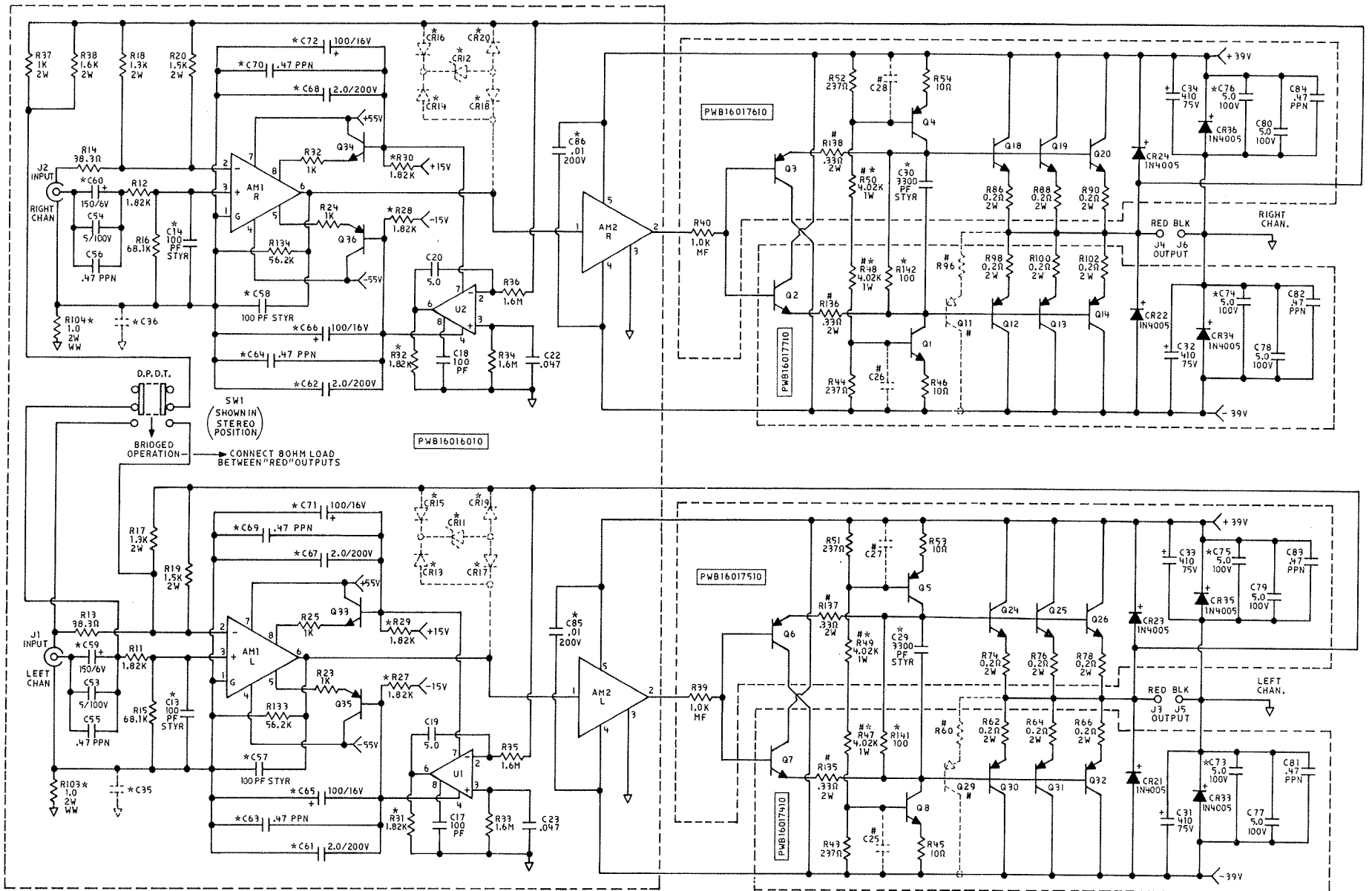
* EFFECTIVE MARCH '81: C87-90 ADDED.

EFFECTIVE SEPT. '80: C9-10 POLYPROPYLENE (WAS MYLAR)



PROPRIETARY NOTICE
 THIS PRINT CONTAINS PATENTED AND/OR OTHER INFORMATION CONSIDERED PROPRIETARY BY AUDIO RESEARCH CORPORATION AND IS FURNISHED ON A CONFIDENTIAL BASIS FOR IDENTIFICATION PURPOSES ONLY.

TOLERANCES (EXCEPT AS NOTED):		AUDIO RESEARCH CORPORATION MINNEAPOLIS, MINNESOTA	
.XXX		SCALE	DRAWN BY S.C.
.			APPROVED BY
.XX		TITLE	SCHEMATIC
.			D-60 POWER SUPPLY
ANGULAR	DATE	DRAWING NUMBER	
	3-25-81		910072-10 B



- NOTES:
- BOTH CHANNELS SHOWN.
 - ALL CAP. IN μ F & RES. 1/4W UNLESS NOTED.
 - U1 & U2 ARE LM308N.
 - AM1'S ARE TYPE 1 ANALOG MODULES.
 - AM2'S ARE TYPE 2 ANALOG MODULES.
 - Q33 & Q34 ARE OUR NO. 30001100.
 - Q35 & Q36 ARE OUR NO. 30002100.
 - Q1, 2, 7, 8, 18-20, 24-26 ARE OUR NO. 30004700 MATCHED
 - Q3, 4, 5, 6, 11-14, 29-32 ARE OUR NO. 30004800 SET

* EFFECTIVE MARCH '81: C59-76, C85-86, R141-142 ADDED. CR11-20, C35-36 DELETED. C29-30 WAS 1.0 μ F; C13, 14, 57, 58 WAS MICA; R27-32 WAS 1.0K; R47-50 WAS 4.3K; R103-104 WAS 2.7 Ω CARBON.

EFFECTIVE DEC. '80: C25-28, R60, R96, Q11, Q29, DELETED. R135-138 WAS 0.2 OHM; R47-50 WAS 4.7K.

PROPRIETARY NOTICE
 THIS PRINT CONTAINS PATENTED AND/OR OTHER INFORMATION CONSIDERED PROPRIETARY BY AUDIO RESEARCH CORPORATION AND IS FURNISHED ON A CONFIDENTIAL BASIS FOR IDENTIFICATION PURPOSES ONLY.

TOLERANCES UNLESS OTHERWISE NOTED:		AUDIO RESEARCH CORPORATION MINNEAPOLIS, MINNESOTA	
.XXX	SCALE	DRAWN BY	S.C.
.XX	TITLE	APPROVED BY	241
.X	SCHEMATIC		
ANGULAR	D-60 AMPLIFIER	DATE	3-25-81
	DRAWING NUMBER		910073-10 B

D-60 PARTS LIST

COMPONENT	QUAN.	DESCRIPTION	VALUE	RATING	TOL.	ARC PART NO.
AM1	2	Type AM1, Analog Module				AM-1
AM2	2	Type AM2, Analog Module				AM-2
U1, U2	2	LM308N Op-Amp				31000300
Q1, 2, 7, 8, 18-20, 24-26	10	NPN Power Transistor				300047XX
Q3, 4, 5, 6, 11-14, 29-32	10	PNP Power Transistor				300048XX
Q39	1	NPN Power Transistor				300024XX
Q40	1	PNP Power Transistor				300025XX
Q33, 34, 37	3	NPN Transistor				30001100
Q35, 36, 38	3	PNP Transistor				30002100
BR1	1	VK248 Bridge Rectifier				30501900
R2, R3	2	Carbon Comp.	27K	1/2W	10%	40270403
R4, 5, 23-26	6	Metal Film	1K	1/4W	1%	42100302
R6-9	4	Metal Film	4.3K	1W	2%	46430301
R10	1	Metal Film	2.7K	1W	2%	46270301
R11, 12, 27-32	8	Metal Film	1.82K	1/4W	1%	42182302
		Metal Film	1.0K	1/4W	1%	42100302
		Carbon Comp.	1K	1/4W	5%	41100302
R13, R14	2	Metal Film	38.2Ω	1/4W	1%	42383102
R15, R16	2	Metal Film	68.1K	1/4W	1%	42681402
R17, R18	2	Metal Film	1.3K	2W	2%	46130301
R19, R20	2	Metal Film	1.5K	2W	2%	46150301
R33-36	4	Carbon Comp.	1.6M	1/4W	5%	41160602
R37	1	Metal Film	1K	2W	2%	46100301
R38	1	Metal Film	1.6K	2W	2%	46160301
R39, R40	2	Metal Film	1K	1/4W	1%	42100302
R43, 44, 51, 52	4	Metal Film	237Ω	1/4W	1%	42237202
R45, 46, 53, 54	4	Metal Film	10Ω	1/4W	1%	42100102
R47-50	4	Metal Film	4.02K	1W	1%	46402301
		Metal Film	4.3K	1W	2%	46430301
		Metal Film	4.7K	1W	2%	46470304
R60, 62, 64, 66, 74, 76, 78, 86, 88, 90, 96, 98, 100, 102	12	Wire Wound	0.2Ω	2W	5%	43200001
R103, R104	2	Wire Wound	1.0Ω	2W	5%	43100002
		Carbon Comp.	2.7Ω	1W	5%	41270004
R133, R134	2	Metal Film	56.2K	1/4W	1%	42562402
R135-138	4	Wire Wound	.33Ω	2W	5%	43330000
		Wire Wound	0.2Ω	2W	5%	43200001
R139, R140	2	Carbon Comp.	1.8K	1W	5%	41180304
R141, R142	2	Metal Film	100Ω	1/2W	1%	42100203
CR1-4, 21-24, 33-36	12	1N4005 Diode	600V	1A		30500400
CR5, CR6	2	1N5368B Zener	47V	5W	10%	30500100
CR9, CR10	2	0.5M15ZS1 Zener	15V	500MW	1%	30501800
CR11, CR12	2	1N5234B Zener	6.2V	500MW	5%	30502100
CR13-20		1N914 Diode				30500900
C1, C2	2	Electrolytic	60,000μF	40V	-10/+75%	53601000
C3, 4, 37, 38	4	Electrolytic	1900μF	100V	-10/+75%	50190900
C5, 6, 11, 12, 21, 22	6	Metalized Mylar	.047μF	200V	10%	53470401
C7, C8	2	Electrolytic	140μF	40V	-10/+75%	50140801
C9, 10	2	Polypropylene	1.0μF	250V	10%	53100606
C13, 14, 57, 58	4	Polystyrene	100pF	160V	2%	53100200
C17, 18	2	Dipped Silver Mica	100pF	500V	5%	57100201
C19, 20, 53, 54, 73-80, 89, 90	14	Metalized Mylar	5.0μF	100V	10%	53500603
C25-28, 35, 36		Metalized Mylar	.1μF	200V	10%	53100503
C29, C30	2	Polystyrene	3300pF	160V	2%	53330301
		Polypropylene	1.0μF	250V	20%	53100606
C31-34, 87, 88	6	Electrolytic Was 300μF	410μF	75V		50300802
C55, 56, 63, 64, 69, 70, 81-84	10	Polypropylene	.47μF	200V	20%	53470507
C59, C60	2	Tantalum	150μF	6V		51150801
C61, 62, 67, 68	4	Metalized Mylar	2.0μF	200V		53200601
C65, 66, 71, 72	4	Electrolytic	100μF	16V		50100801
C85, C86	2	Ceramic Monolythic	.01μF	200V		52100400
F1	1	Slo-Blo Fuse	4A	125V		34500701
F1	1	Slo-Blo Fuse	2A	250V		34501301
F2-5	4	Normal Blow Fuse	4A	250V		34500702
F6, F7	2	Slo-Blo Pigtail Fuse	1/4A	250V		34500101
T1	1	Transformer				60003101
SW1	1	Stereo-Mono Switch				24100500
SW2	1	Thermostat				24300100
LED1, 2	2	Green LED				34300100
J1, J2	2	Phono Jack				23201000
J3, J4	2	Binding Post-Red				23102500
J5, J6	2	Binding Post-Black				23102600