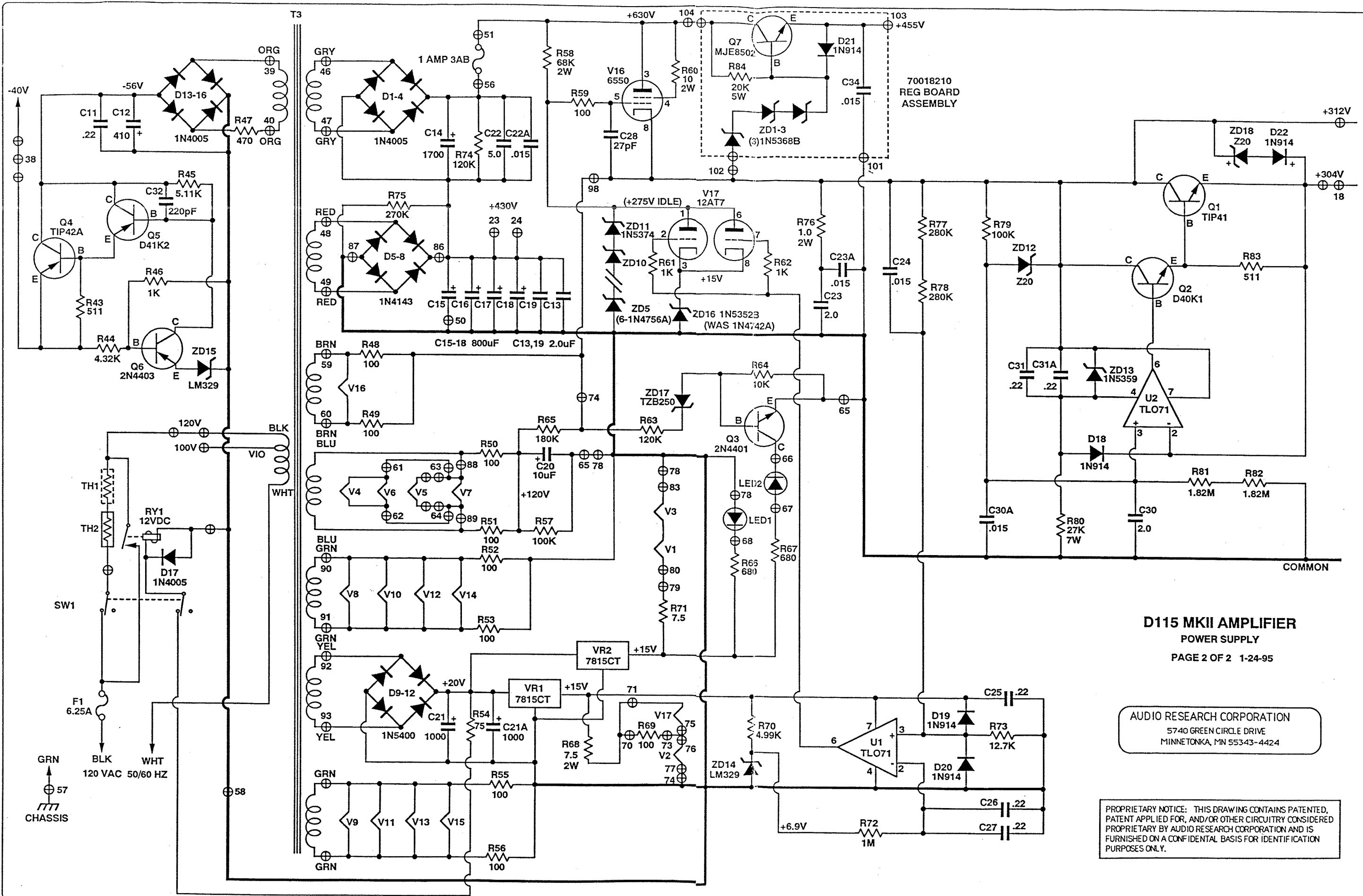


D115 MKII AMPLIFIER
 AUDIO
 PAGE 1 OF 2 1-11-95

AUDIO RESEARCH CORPORATION
 5740 GREEN CIRCLE DRIVE
 MINNETONKA, MN 55343-4424

PROPRIETARY NOTICE: THIS DRAWING CONTAINS PATENTED, PATENT APPLIED FOR, AND/OR OTHER CIRCUITRY CONSIDERED PROPRIETARY BY AUDIO RESEARCH CORPORATION AND IS FURNISHED ON A CONFIDENTIAL BASIS FOR IDENTIFICATION PURPOSES ONLY.



**D115 MKII AMPLIFIER
POWER SUPPLY**
PAGE 2 OF 2 1-24-95

AUDIO RESEARCH CORPORATION
5740 GREEN CIRCLE DRIVE
MINNETONKA, MN 55343-4424

PROPRIETARY NOTICE: THIS DRAWING CONTAINS PATENTED, PATENT APPLIED FOR, AND/OR OTHER CIRCUITRY CONSIDERED PROPRIETARY BY AUDIO RESEARCH CORPORATION AND IS FURNISHED ON A CONFIDENTIAL BASIS FOR IDENTIFICATION PURPOSES ONLY.