

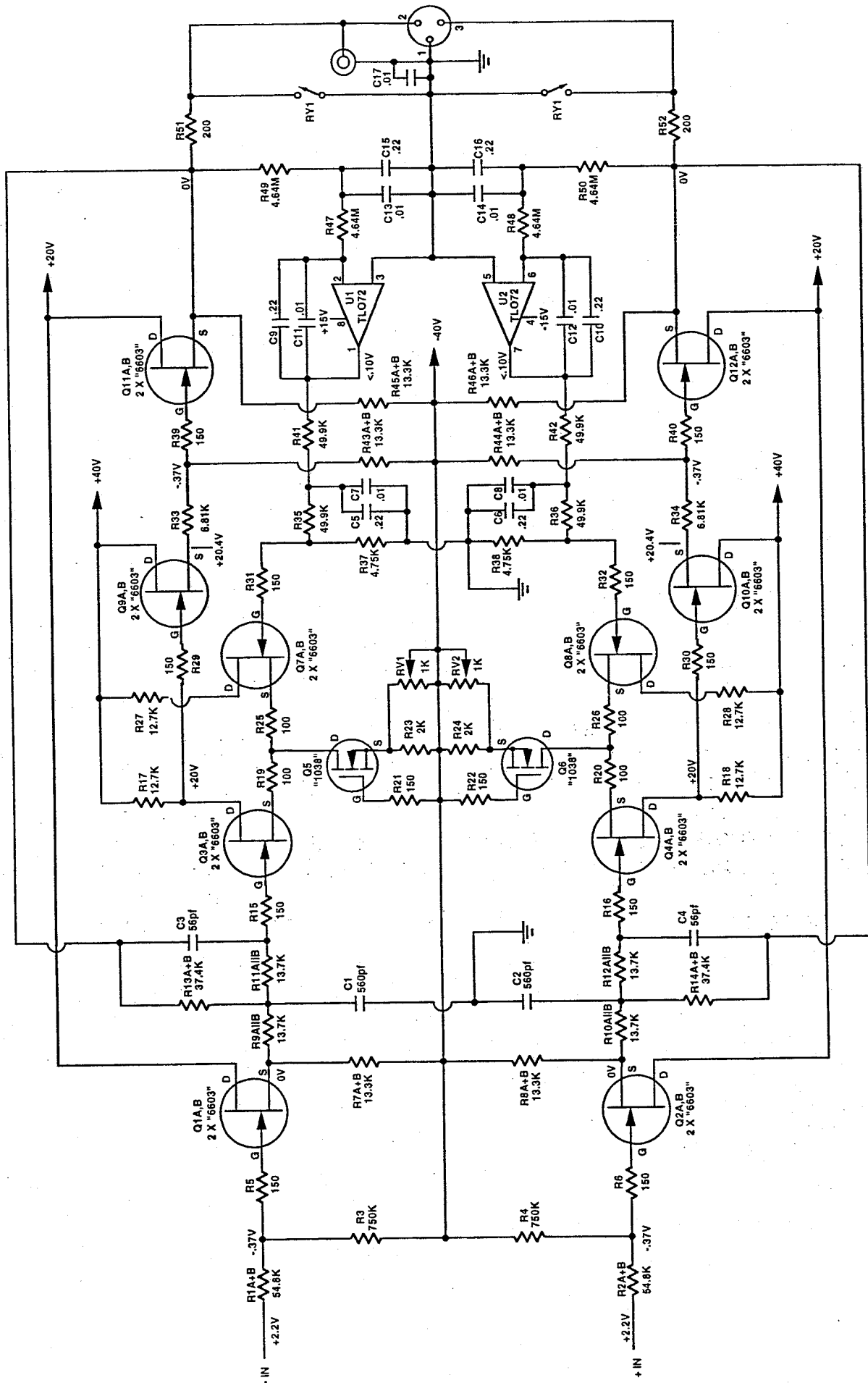
audio research

H I G H D E F I N I T I O N[®]

3900 ANNAPOLIS LANE NORTH / PLYMOUTH, MINNESOTA 55447-5447 / PHONE: 763-577-9700 FAX 763-577-0323

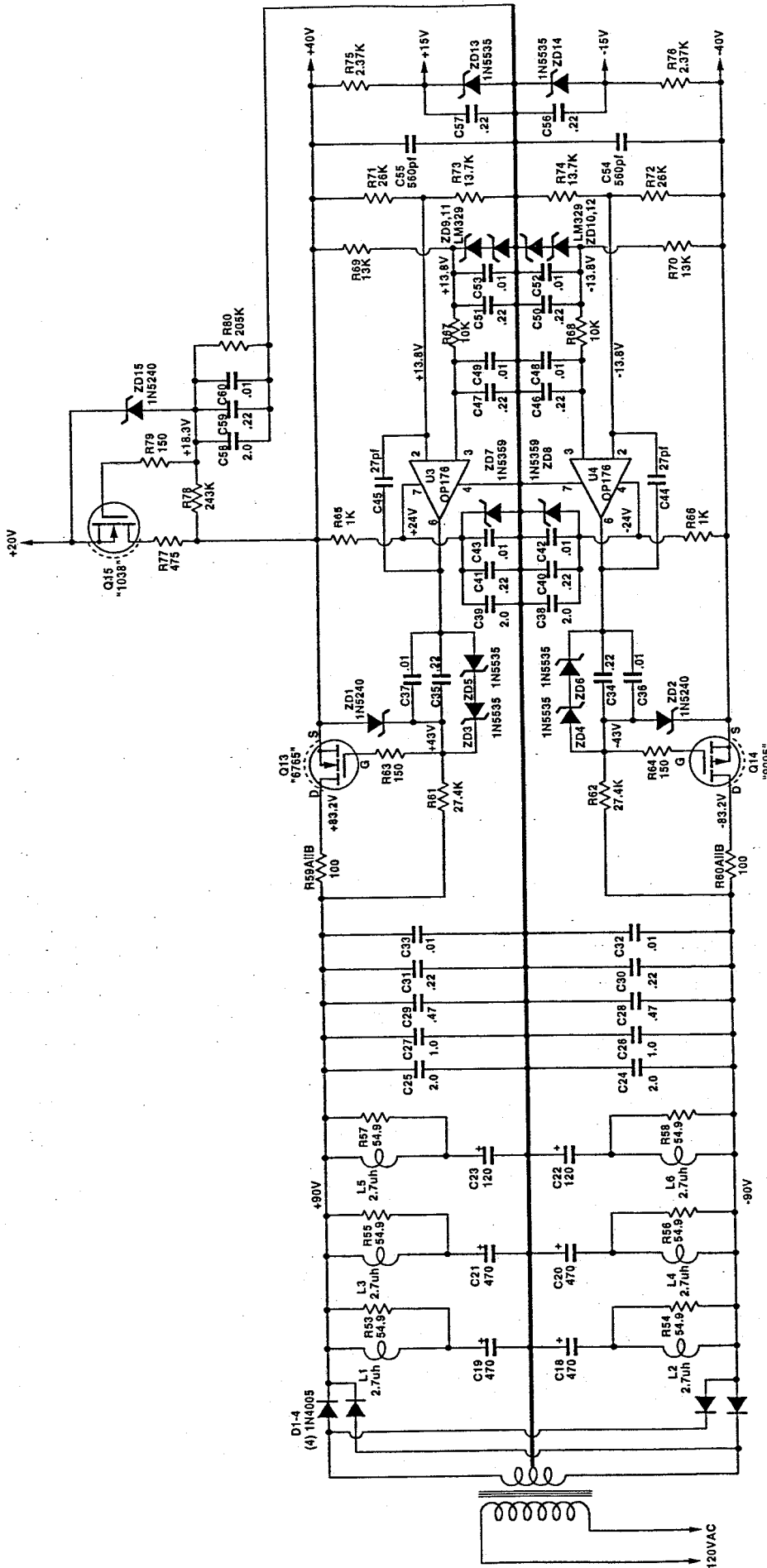
CD3 / CD3MKII

SCHEMATIC



AUDIO RESEARCH CORPORATION
3900 ANNAPOLIS LANE NORTH
PLYMOUTH, MINN 55447-5447

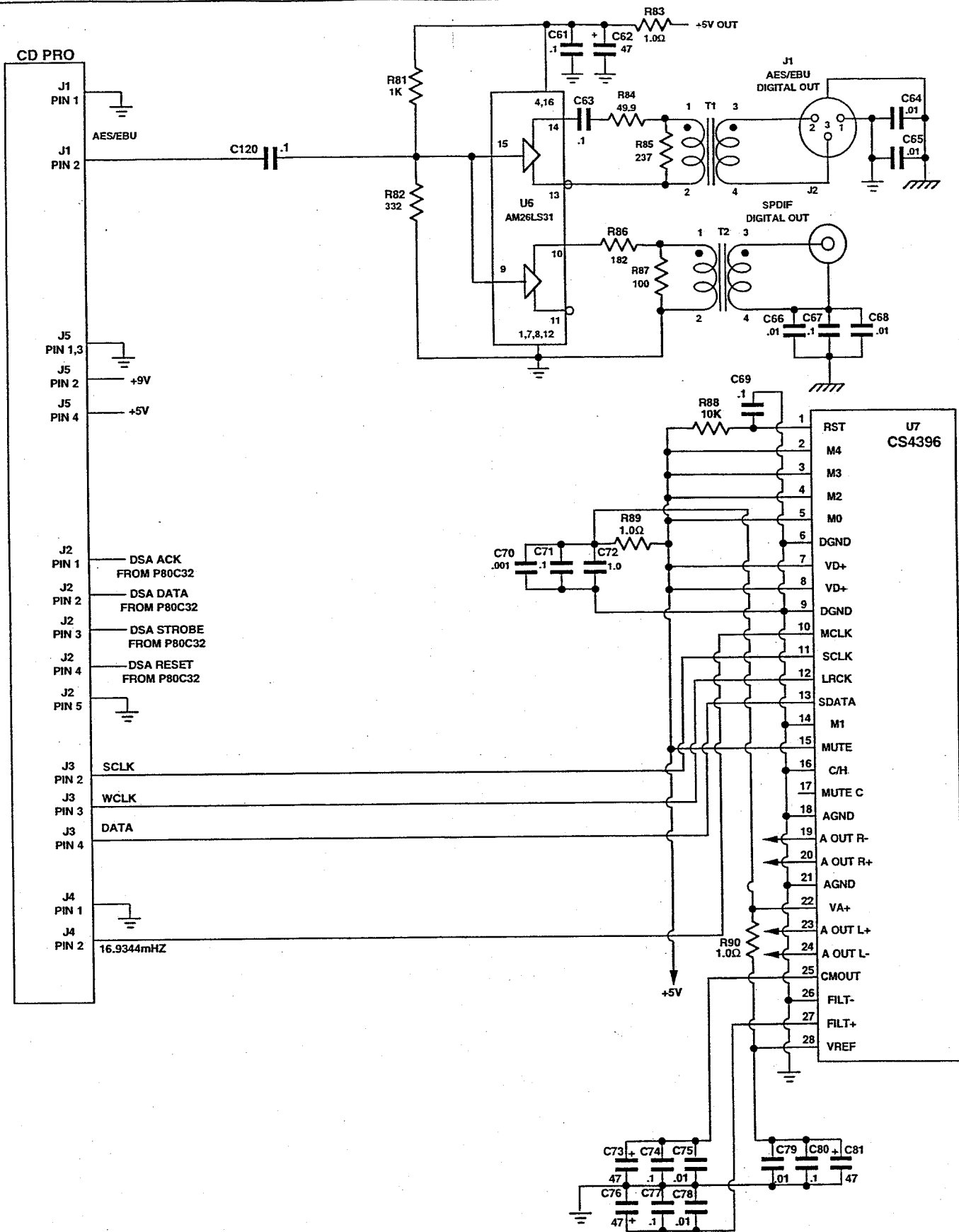
PROPRIETARY NOTICE: THIS DRAWING CONTAINS PATENTED, PATENT APPLIED FOR, AND/OR OTHER CIRCUITRY CONSIDERED PROPRIETARY BY AUDIO RESEARCH CORPORATION AND IS FURNISHED ON A CONFIDENTIAL BASIS FOR IDENTIFICATION PURPOSES ONLY.



PROPRIETARY NOTICE: THIS DRAWING CONTAINS PATENTED, PATENT APPLIED FOR, AND/OR OTHER CIRCUITRY CONSIDERED PROPRIETARY BY AUDIO RESEARCH CORPORATION. IT IS TO BE KEPT CONFIDENTIAL ON A CONFIDENTIAL BASIS FOR IDENTIFICATION PURPOSES ONLY.

AUDIO RESEARCH CORPORATION
 3900 ANNAPOLIS LANE NORTH
 PLYMOUTH, MN 55447, USA

CD3
 AUDIO REGS
 PAGE 2 of 6
 8-21-01



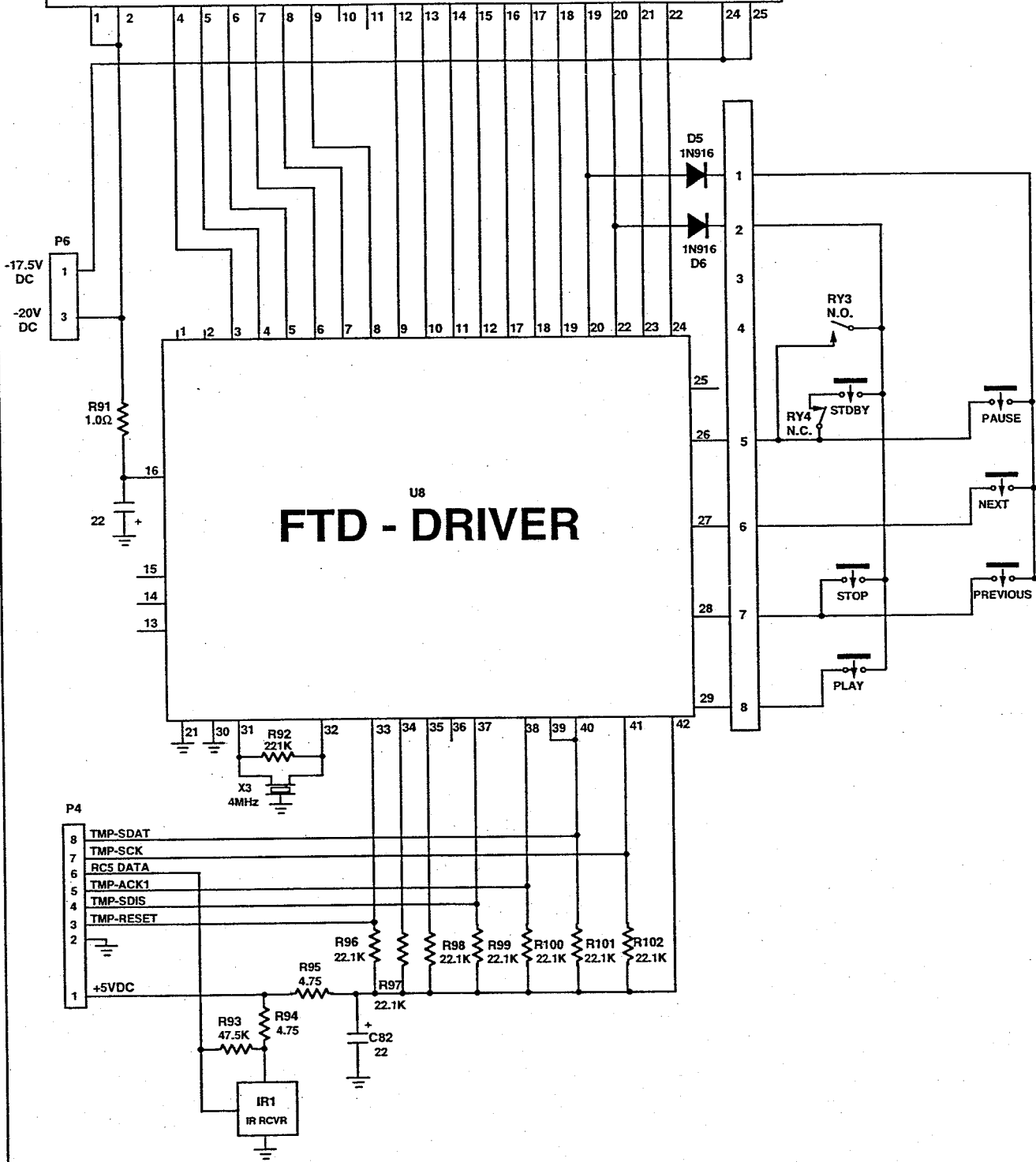
CD3 D/A & DIG OUT

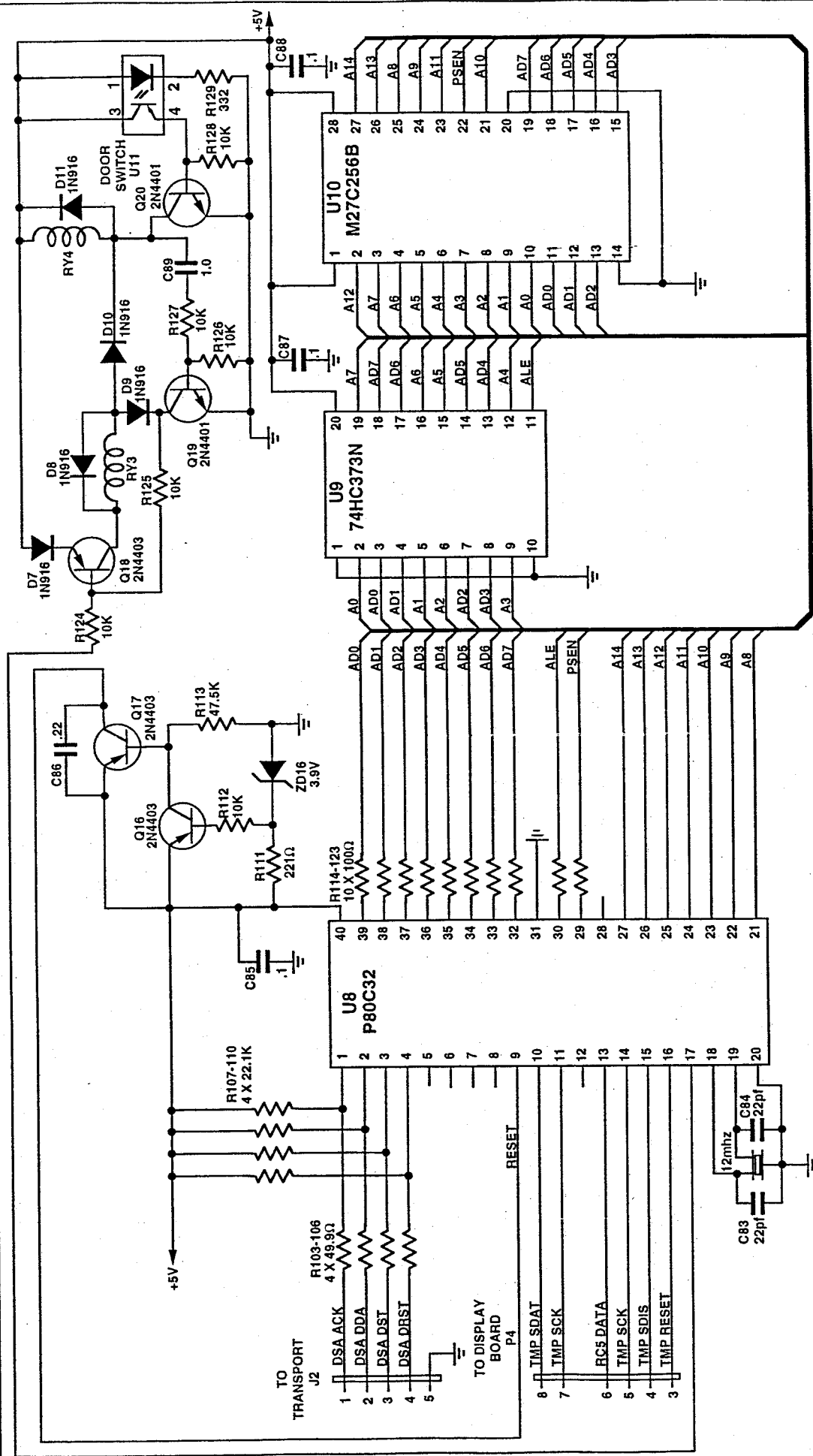
AUDIO RESEARCH CORPORATION

3900 ANNAPOLIS LANE NORTH
 PLYMOUTH MN 55447-5447

PROPRIETARY NOTICE: THIS DRAWING CONTAINS PATENTED, PATENT APPLIED FOR, AND/OR OTHER CIRCUITRY CONSIDERED PROPRIETARY BY AUDIO RESEARCH CORPORATION AND IS FURNISHED ON A CONFIDENTIAL BASIS FOR IDENTIFICATION PURPOSES ONLY.

FLORESCENT TUBE DISPLAY

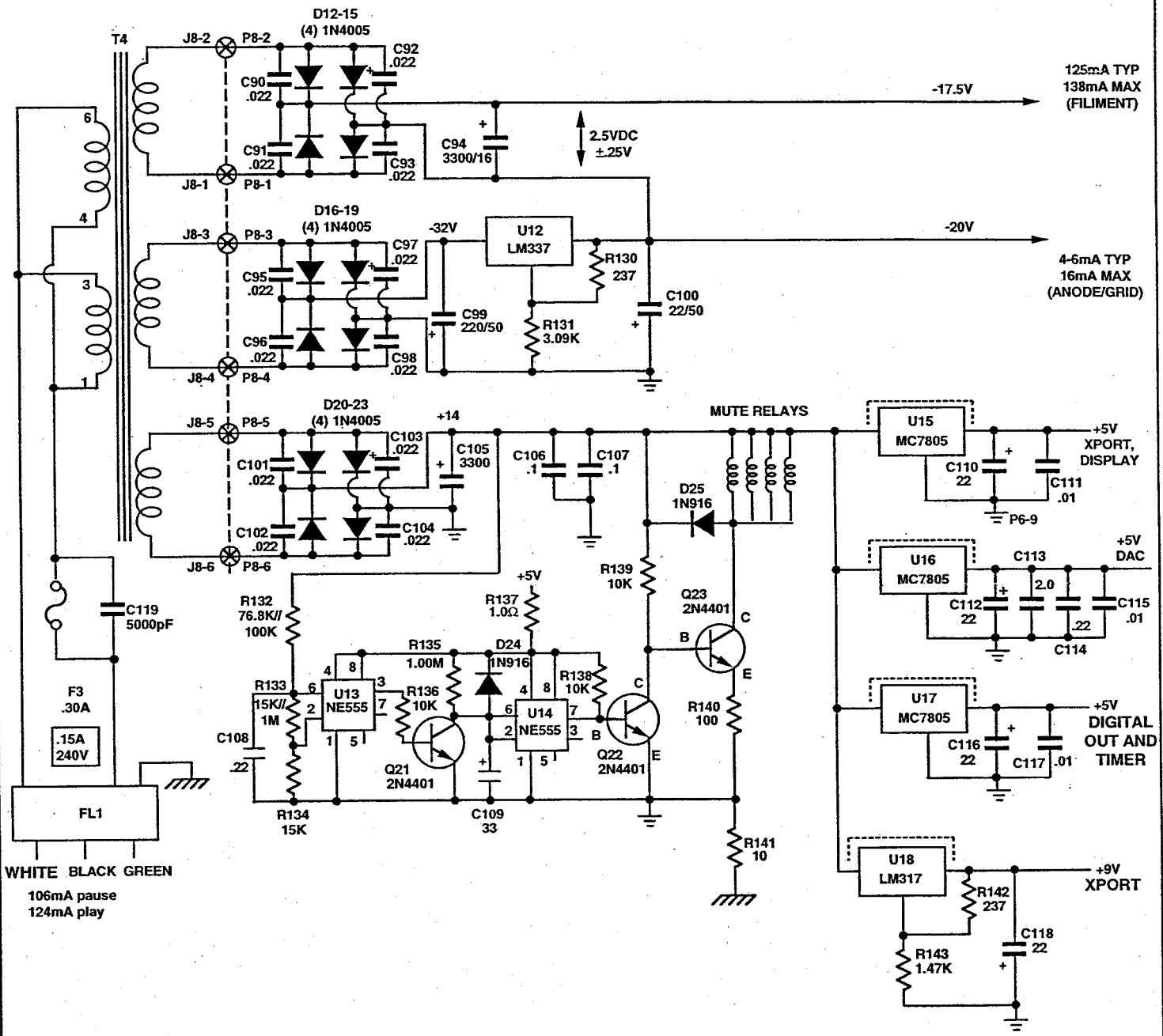




AUDIO RESEARCH CORPORATION
 3900 ANNAPOLIS LANE NORTH
 PLYMOUTH, MN 55447-5447

PROPRIETARY NOTICE: THIS DRAWING CONTAINS PATENTED,
 PATENT APPLIED FOR, AND/OR OTHER CIRCUITRY CONSIDERED
 PROPRIETARY BY AUDIO RESEARCH CORPORATION AND IS
 FURNISHED ON A CONFIDENTIAL BASIS FOR IDENTIFICATION
 PURPOSES ONLY.

CD3 EPROM
 Page 5 of 6
 8-27-01



WHITE BLACK GREEN
106mA pause
124mA play

PROPRIETARY NOTICE: THIS DRAWING CONTAINS PATENTED, PATENT APPLIED FOR, AND/OR OTHER CIRCUITRY CONSIDERED PROPRIETARY BY AUDIO RESEARCH CORPORATION AND IS FURNISHED ON A CONFIDENTIAL BASIS FOR IDENTIFICATION PURPOSES ONLY.

AUDIO RESEARCH CORPORATION
3900 ANNAPOLIS LANE NORTH
PLYMOUTH, MN 55447-5447