

* ADJUST RV1 FOR 23MVDC AVERAGE OF 8 PLACES ACROSS 0.20 RESISTORS R51-58, AFTER 20 MINUTES WARM, TOP COVER OFF, ZERO SIGNAL, NORMAL LINE VOLTAGE.

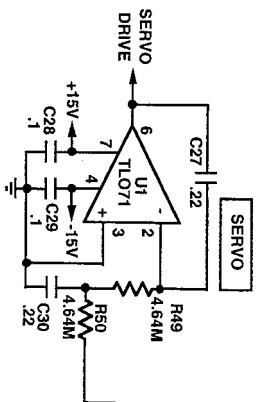
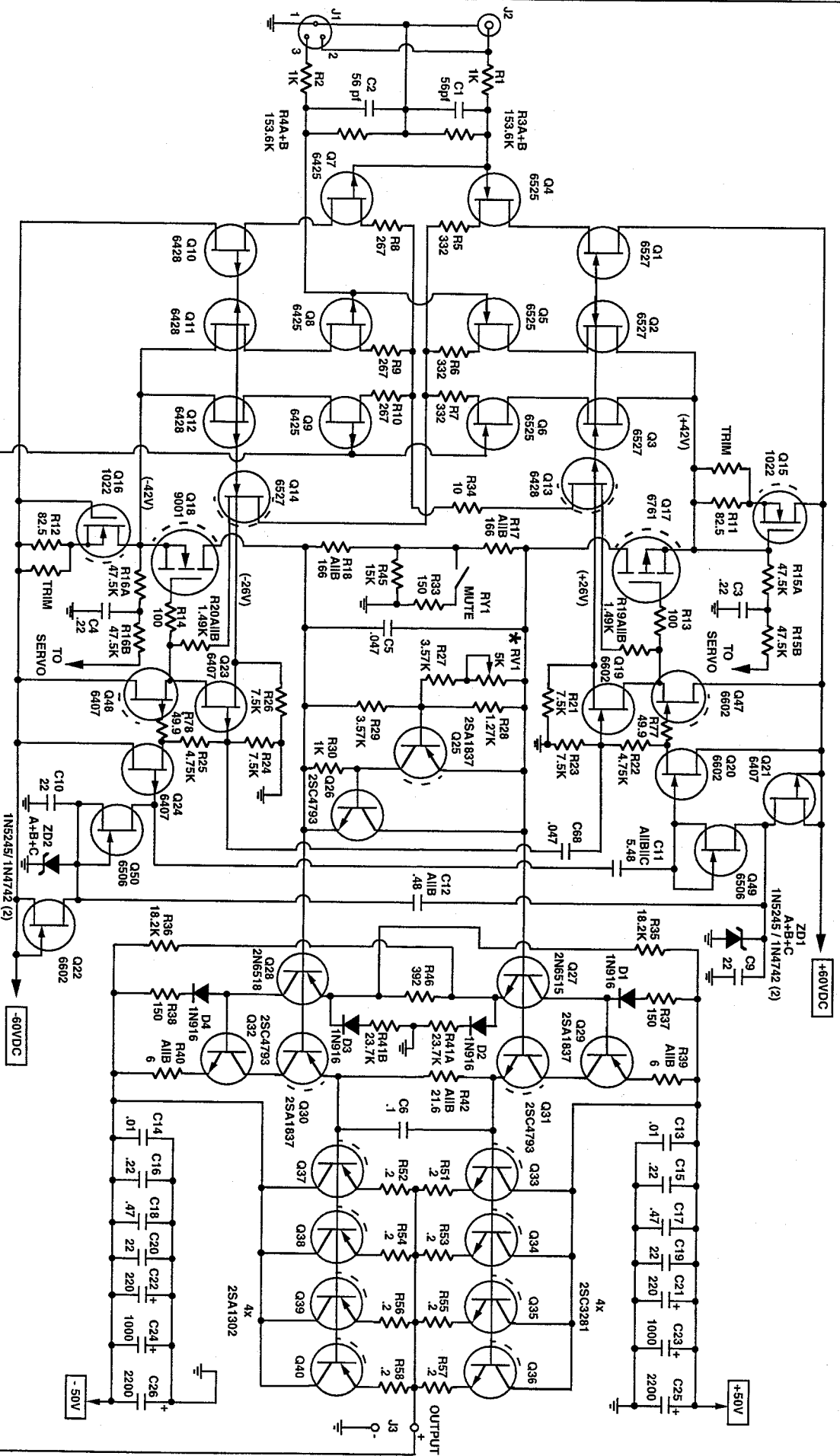
100.2
REV 9

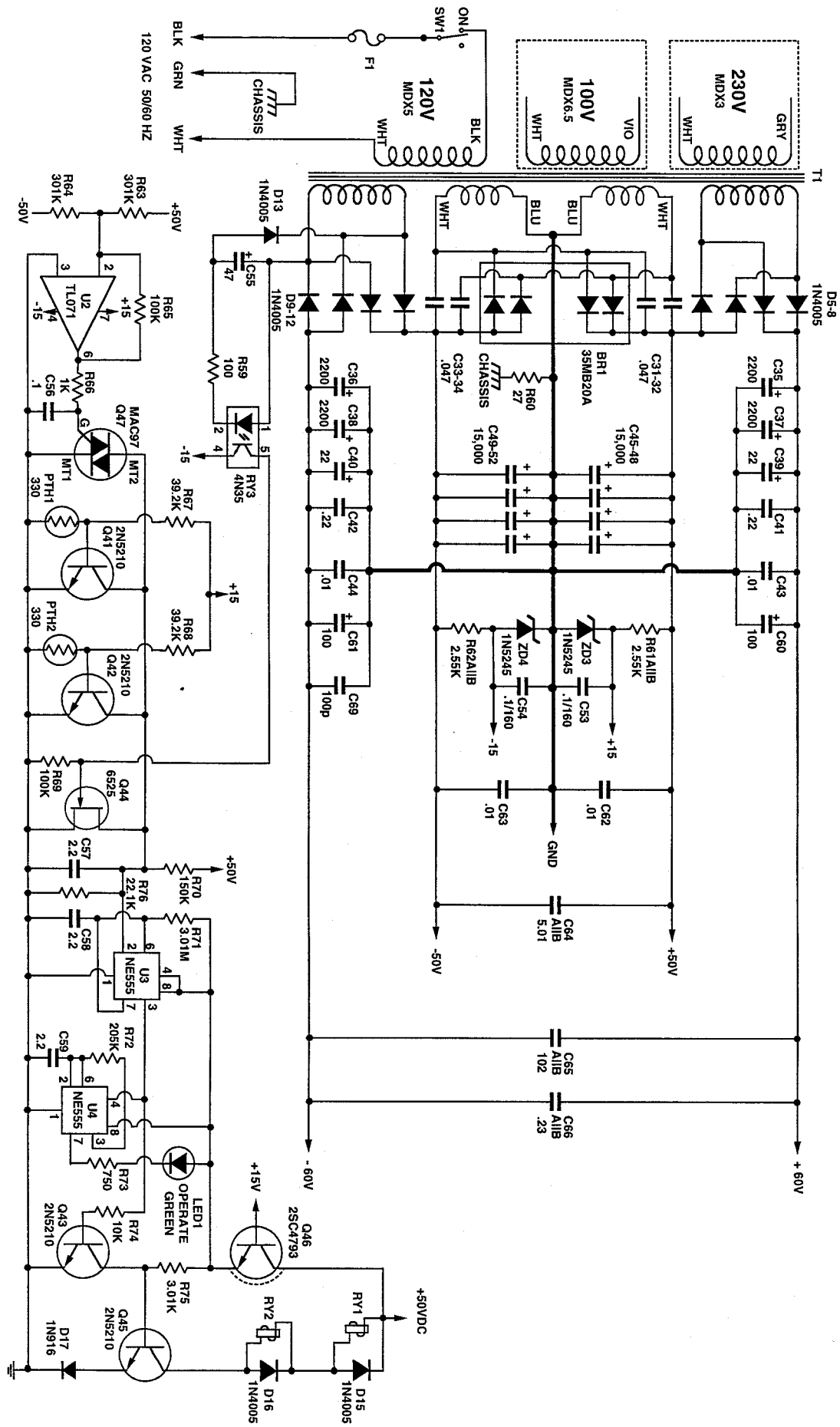
PAGE 1 OF 2
2-24-98
R.D.L.

AUDIO RESEARCH CORPORATION

5740 GREEN CIRCLE
MINNETONKA, MN 55343-4424

PROPRIETARY NOTICE: THIS DRAWING CONTAINS PATENTED, PATENT APPLIED FOR, AND/OR OTHER CIRCUITRY CONSIDERED PROPRIETARY BY AUDIO RESEARCH CORPORATION AND IS FURNISHED ON A CONFIDENTIAL BASIS FOR IDENTIFICATION PURPOSES ONLY.





100.2
 REV 10
 POWER SUPPLY / PROTECT
 PAGE 2 OF 2
 12-11-97
 R.D.L.

AUDIO RESEARCH CORPORATION
 5740 GREEN CIRCLE DRIVE
 MINNETONKA, MN 55343-4424

PROPRIETARY NOTICE: THIS DRAWING CONTAINS PATENTED, PATENT APPLIED FOR, AND/OR OTHER CIRCUITRY CONSIDERED PROPRIETARY BY AUDIO RESEARCH CORPORATION AND IS FURNISHED ON A CONFIDENTIAL BASIS FOR IDENTIFICATION PURPOSES ONLY.

PARTS LIST

As of NOV 6 98

PRODUCT: 100.2

Schematic Symbol	Quantity	ARC Part #	Description
BR			BRIDGE RECTIFIER
BR1	1	30501930	BRIDGE RECTIFIER, 35MB20A
C			CAPACITORS
C1,2	4	53560103	CAP., 56pf \pm 2.5% 630V PPN
C3,4,15,16,27,30,41,42,66A	15	53220507	CAP., .22 μ f \pm 10% 160V
C5	2	53470402	CAP., 0.047 μ f \pm 10% 160V
C6,28,29	6	53100506	CAP., 0.1 μ f \pm 10% 160V
C9,10,19,20,39,40	10	50220701	CAP., 22 μ F 100V
C11A,64A	3	53500606	CAP., 5 μ F \pm 20% 250V
C11B,17,18	6	53470513	CAP., 0.47 μ f \pm 10% 160V
C11C,13,14,43,44,62,63,66B	11	53100410	CAP., .01 μ f \pm 10% 400V
C12B,64B	3	53100406	CAP., .01 μ f \pm 10% 630V
C21,22	4	50220801	CAP., 220 μ F 50V
C23,24	4	50100908	CAP., 1000 μ F 63V
C25,26,35-38	8	50220904	CAP., 2200 μ F 63V
C29-32	4	53470404	CAP., .047 μ f \pm 20% 250V
C45-52	8	50151002	CAP., 15,000 μ F 50V
C53,54,56	3	53100505	CAP., 0.1 μ F \pm 10% 63V
C55	1	50470701	CAP., 47 μ F 35V \pm 20%
C57,58,59	3	51220601	CAP., 2.2 μ F 25V \pm 20% DIP TANT.
C61,62	2	50100806	CAP., 100 μ F 63V
C65A	1	50100807	CAP., 100 μ F 160V. NICHICON
C65B	1	53200603	CAP., 2 μ F \pm 10% 250V
C67	2	53220201	CAP., 220pf \pm 2.5% 630V PPN
C68	4	53470511	CAP., .47 μ f \pm 20% 250V
C69	1	53100202	CAP. 100pf \pm 2.5% 630V PPN
D			DIODES
D1-4,17	9	30500910	1N916B
D5-13,15,16	11	30500400	IN4005
F			FUSES
F1	1	34500505	(B)FUSE, 5 AMP 125V MDQ OR MDX
J			CONNECTORS
J1	2	23201990	CONNECTOR, XLR FEM. #NC3FD-H-B
J2	1	23201509	JACK, CHASSIS RED
J2	1	23201510	JACK, CHASSIS WHITE
LED1	1	34300320	L.E.D., GREEN SPOT L424GDT
PTH			POSISTERS
PTH1,2	2	47000500	POSISTOR, 2200 Ω PTH

PARTS LIST

As of NOV 6 98

PRODUCT: 100.2

Schematic Symbol	Quantity	ARC Part #	Description
Q TRANSISTORS			
Q1,2,3,14,19,22	8	30006527	FET, WHITE RED VIOLET
Q4,5,6,44	7	30006525	FET, WHITE RED GREEN
Q7,8,9	6	30006425	FET, GRAY, GRAY, DOT
Q10,11,12,13,21,23	6	30006428	FET, GRAY GRAY
Q10	2	30006429	FET, GRAY GRAY WHITE
Q15,16	4	30011023	FET, GREEN GREEN ORANGE
Q17	2	30006761	FET, ORANGE YELLOW BROWN
Q18	2	30009001	FET, RED VIOLET
Q19,22,47	8	30006602	FET, VIOLET RED
Q21,23,48	8	30006407	FET, BLUE VIOLET
Q25,29,30	6	30010000	TRANSISTOR, 2SA1837
Q26,31,32,46	7	30010100	TRANSISTOR, 2SC4793
Q27	2	30003400	TRANSISTOR, 2N6515
Q28	2	30003500	TRANSISTOR, 2N6518
Q33-36	8	30010300	FET, 2SC3281 TOSHIBA
Q37-40	8	30010200	FET, 2SA1302 TOSHIBA
Q41,42,43,45	4	30003101	TRANSISTOR, 2N5210
Q47	1	30007400	TRANSISTOR, TRIAC MAC97-6
Q49,50	4	30006506	FET, WHITE BLUE
R RESISTORS			
R1,2	4	42100314	RES., 1K Ω MK-5 1% 50PPM
R3A,3B,4A,4B	8	42768402	RES., 76.8K Ω MK-2 1% 50PPM
R5,6,7,17A,17B,18A,18B	14	42332202	RES., 332 Ω MK-2 1% 50PPM
R8,9,10	6	42267202	RES., 267 Ω MK-2 1% 50PPM
R11A,12A,33,37,38	10	42150202	RES., 150 Ω MK-2 1% 50PPM
R11B,12B	4	42221202	RES., 221 Ω MK-2 1% 50PPM
R13,14,59	5	42100202	RES., 100 Ω MK-2 1% 50 PPM
R15A,15B,16A,16B	8	42475402	RES., 47.5K Ω MK-2 1% 50 PPM
R19,20	4	42150302	RES., 1.5K Ω MK-2 1% 50PPM
R21,23,24,26	8	42750302	RES., 7.5K Ω MK-2 1% 50PPM
R22,25	4	42475302	RES., 4.75K Ω MK-2 1% 50 PPM
R27,29	4	42357302	RES., 3.57K Ω MK-2 1% 50 PPM
R28	2	42127302	RES., 1.27K Ω MK-2 1% 50PPM
R30,66	3	42100302	RES., 1K Ω MK-2 1% 50 PPM
R31,32,65,69	2	42100502	RES., 100K Ω MK-2 1% 50PPM
R34,39A,40A	6	42100102	RES., 10 Ω MK-2 1% 50 PPM
R35,36	4	42182413	RES., 18.2K Ω MK-4 1% 50PPM
R39B,40B	4	42150102	RES., 15 OHM MK-2
R41A,B	4	42237402	RES., 23.7K MK-2
R42A,42B	4	43432100	RES., 43.2 Ω 2W \pm 1%
R45	2	42150414	RES., 15K Ω MK-5 1% 50PPM
R46	2	42392202	RES., 392 Ω MK-2 1% 50PPM
R47	2	42332302	RES., 3.32K Ω MK-2 1% 50 PPM
R48	2	42162502	RES., 162K Ω MK-2 1% 50 PPM
R49,50	4	42464602	RES., 4.64M MK-2
R51-58	16	43200004	RES., 0.2 Ω 3W \pm 5%
R60	1	42274103	RES., 27.4 Ω MK-3 1% 50PPM
R61A,61B,62A,62B	4	42511302	RES., 5.11K MK-2
R63,64	2	42301502	RES., 301K Ω MK-2 1% 50PPM
R67,68	2	42392402	RES., 39.2K Ω MK-2 1% 50PPM
R70	1	42150503	RES., 150K Ω MK-3 1% 50PPM
R71	1	42301602	RES., 3.01 MEG MK-2 1% 50PPM
R72	1	42205502	RES., 205K MK-2
R73	1	42750202	RES., 750 Ω MK-2
R74	1	42100402	RES., 10K Ω MK-2 1% 50 PPM

PARTS LIST

As of NOV 6 98

PRODUCT: 100.2

Schematic Symbol	Quantity	ARC Part #	Description
R75	1	42301302	RES., 3.01K Ω MK2 1% 50PPM
R76	1	42221402	RES., 22.1K Ω MK-2 1% 50 PPM
R77,78	4	42499102	RES., 49.9 Ω MK-2 1% 50PPM
RV			CONTROLS
RV1	2	45500301	POT., 5K Ω \pm 10% TRIM 15 TRUN
RY			RELAYS
RY1,2	2	64101300	RELAY, 24V 10A PC MNT.
RY3	1	34400400	PHOTO COUPLER, 4N35
SW			SWITCHES
SW1	1	24102200	SWITCH, ROCKER
T			TRANSFORMERS
T1	1	60015414	(B)XFR., 100.2 DUAL VOLTAGE
U			INTEGRATED CIRCUITS
U1,2	3	31001900	FET, J INPUT OP-AMP TLO71CP
U3,4	2	31000800	TIMER, NE555N
ZD			ZENER DIODES
ZD1A,2A,3,4	6	30501800	DIODE, ZENER IN5245B
ZD1B,2B,1C,2C	8	30502700	IN4742A