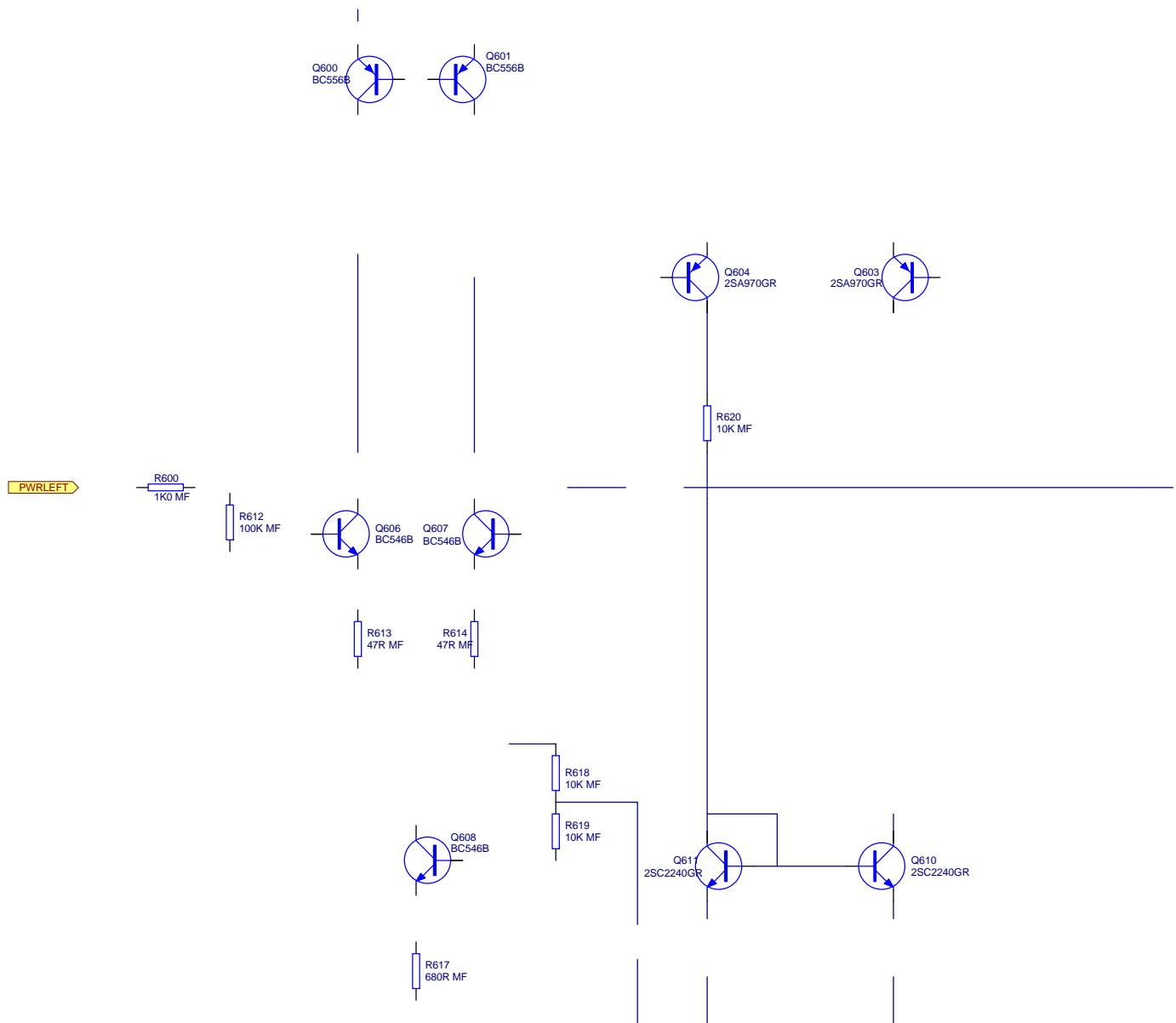
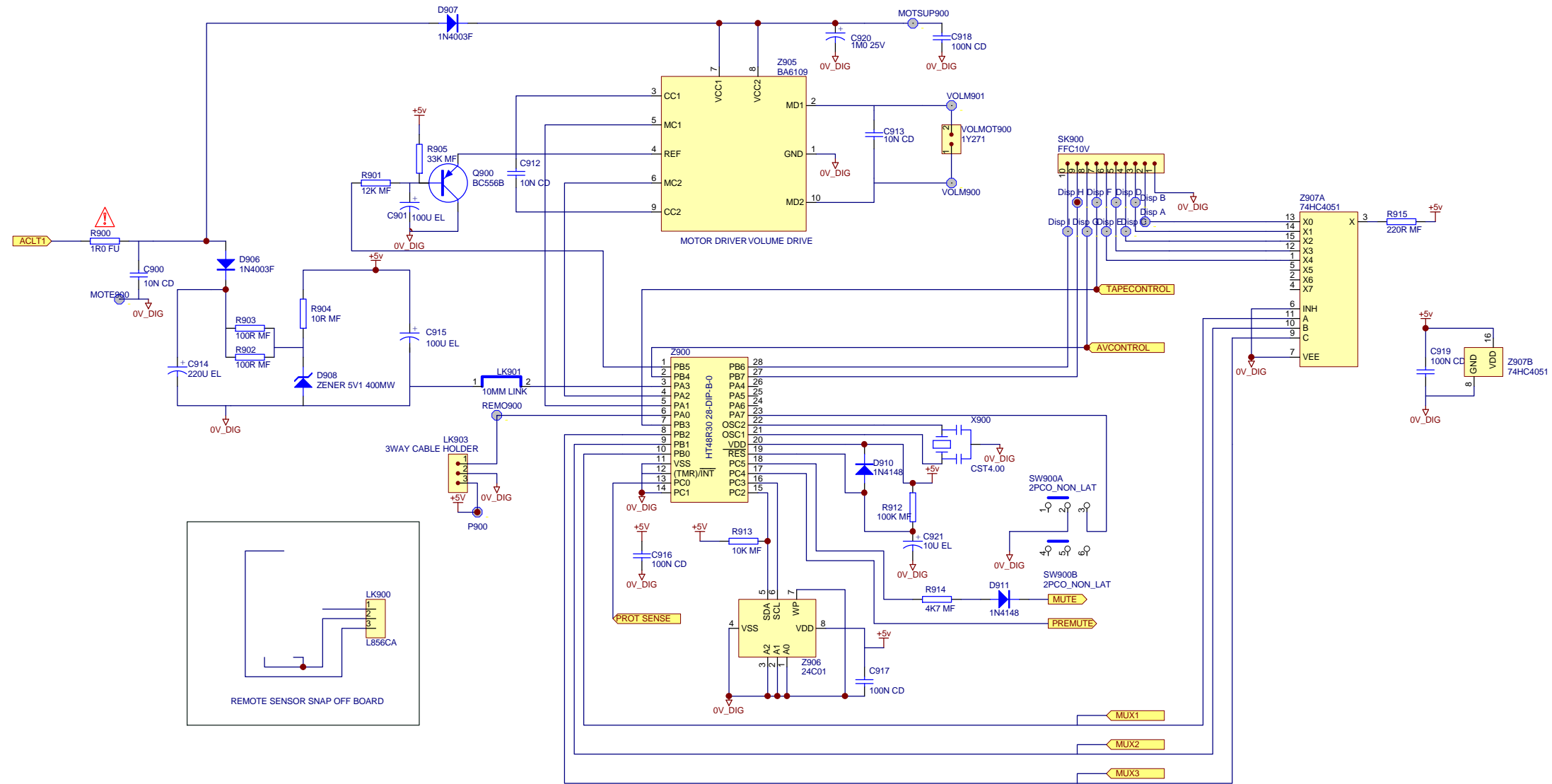


USE EXCLUDE NF TO CREATE RUN OUT SHEET FOR A75  
 USE EXCLUDE A65 TO CREATE RUN OUT SHEET FOR A65

DRAWING TITLE		A75 PLUS AMP						
ARCAM		Filename: L940C1_1.0.prj						
A & R Cambridge Ltd. Pembroke Avenue Waterbeach Cambridge CB5 9PB		Notes: TOP SHEET FOR A75 L940AY						
01_E020	TGP	12/12/01	PRODUCTION RELEASE					1.0
ECO No.	INITIALS	DATE	DESCRIPTION OF CHANGE					ISSUE
Contact Engineer:	Travis Pierce	Contact Tel:	(01223) 203 200	Printed:	11-Dec-2001	Sheet	1 of 7	DRAWING NO. L940C1



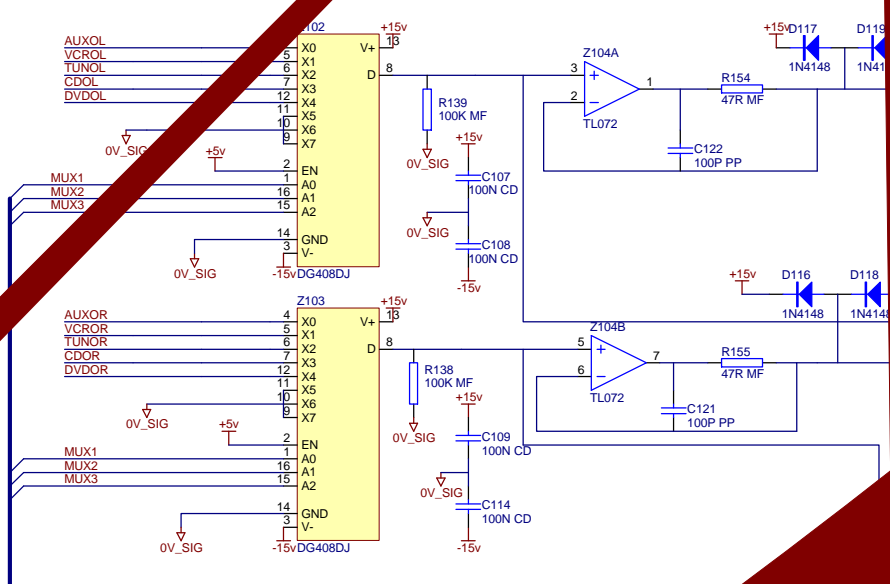
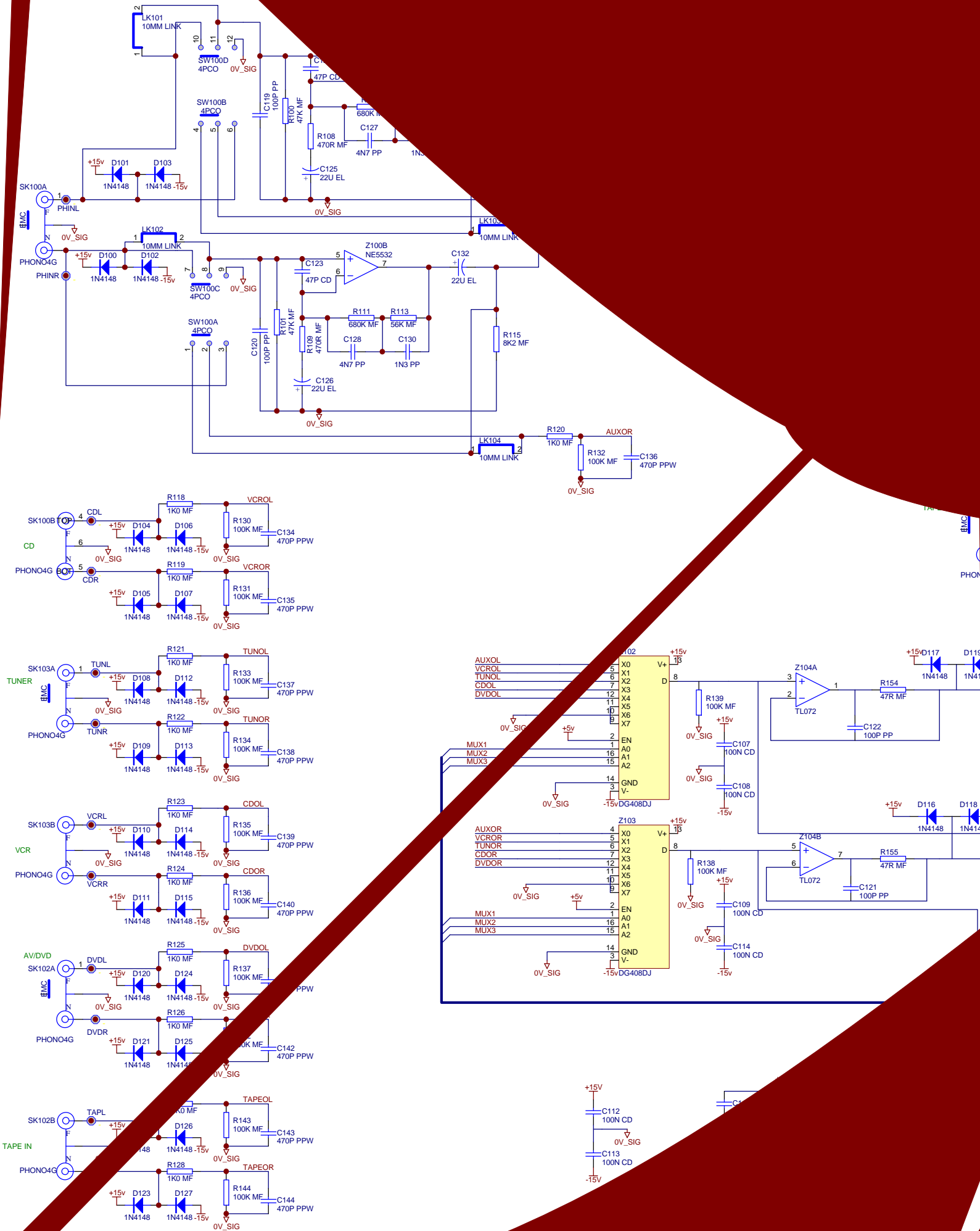
DRAWING TITLE		A75 PLUS AMP						
<b>ARCAM</b> A & R Cambridge Ltd. Pembroke Avenue Waterbeach Cambridge CB5 9PB		Filename: L940C5_1.0.SCH						
		Notes:						
Contact Engineer: Travis Pierce		Contact Tel: (01223) 203 200		Printed: 11-Dec-2001	Sheet 5 of 7	DRAWING NO. L940C5		ISSUE



USE EXCLUDE NF TO CREATE RUN OUT SHEET FOR A75  
 USE EXCLUDE A65 TO CREATE RUN OUT SHEET FOR A65

WARNING SAFETY CRITICAL COMPONENT  
 REPLACE WITH IDENTICAL PART

DRAWING TITLE <b>A75 PLUS AMP</b>					
Filename: L940C7_1.0.SCH					
Notes: uC, Volume Drive & Remote Control					
ECO No.	INITIALS	DATE	DESCRIPTION OF CHANGE	ISSUE	
Contact Engineer: Travis Pierce	Contact Tel: (01223) 203 200	Printed: 11-Dec-2001	Sheet 7 of 7	DRAWING NO. L940C7	



LK101 10MM LINK  
SW100D 4PCO 0V\_SIG  
C119 100P PP  
R100 47K MF  
C127 47P CD  
680K MF  
R108 470R MF  
4N7 PP  
C125 22U EL  
0V\_SIG  
LK102 10MM LINK  
SW100B 4PCO  
C120 100P PP  
R109 470R MF  
4N7 PP  
C126 22U EL  
0V\_SIG  
LK103 10MM LINK  
SW100C 4PCO  
LK104 10MM LINK  
R110 47K MF  
R111 680K MF  
R113 56K MF  
C128 4N7 PP  
C130 1N3 PP  
R115 8K2 MF  
R120 1K0 MF  
R132 100K MF  
C136 470P PPW  
0V\_SIG

LK100 10MM LINK  
SW100A 4PCO  
C111 470P PPW  
0V\_SIG  
LK100 10MM LINK  
SW100A 4PCO  
C111 470P PPW  
0V\_SIG  
LK100 10MM LINK  
SW100A 4PCO  
C111 470P PPW  
0V\_SIG

C111 470P PPW  
0V\_SIG  
LK100 10MM LINK  
SW100A 4PCO  
C111 470P PPW  
0V\_SIG

LK100 10MM LINK  
SW100A 4PCO  
C111 470P PPW  
0V\_SIG

LK100 10MM LINK  
SW100A 4PCO  
C111 470P PPW  
0V\_SIG

LK100 10MM LINK  
SW100A 4PCO  
C111 470P PPW  
0V\_SIG

LK100 10MM LINK  
SW100A 4PCO  
C111 470P PPW  
0V\_SIG

LK100 10MM LINK  
SW100A 4PCO  
C111 470P PPW  
0V\_SIG

LK100 10MM LINK  
SW100A 4PCO  
C111 470P PPW  
0V\_SIG

LK100 10MM LINK  
SW100A 4PCO  
C111 470P PPW  
0V\_SIG

LK100 10MM LINK  
SW100A 4PCO  
C111 470P PPW  
0V\_SIG

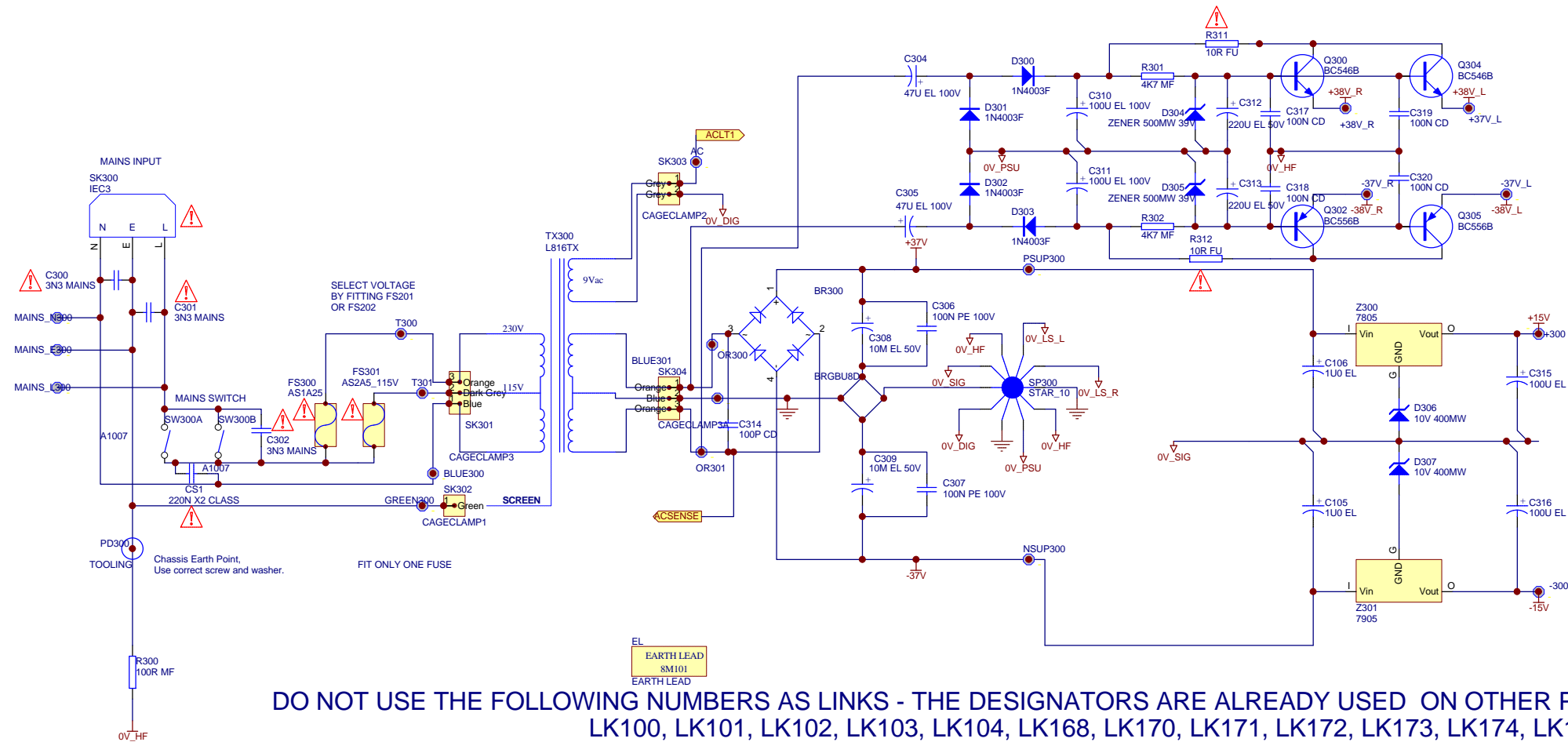
LK100 10MM LINK  
SW100A 4PCO  
C111 470P PPW  
0V\_SIG

LK100 10MM LINK  
SW100A 4PCO  
C111 470P PPW  
0V\_SIG

LK100 10MM LINK  
SW100A 4PCO  
C111 470P PPW  
0V\_SIG

LK100 10MM LINK  
SW100A 4PCO  
C111 470P PPW  
0V\_SIG

LK100 10MM LINK  
SW100A 4PCO  
C111 470P PPW  
0V\_SIG



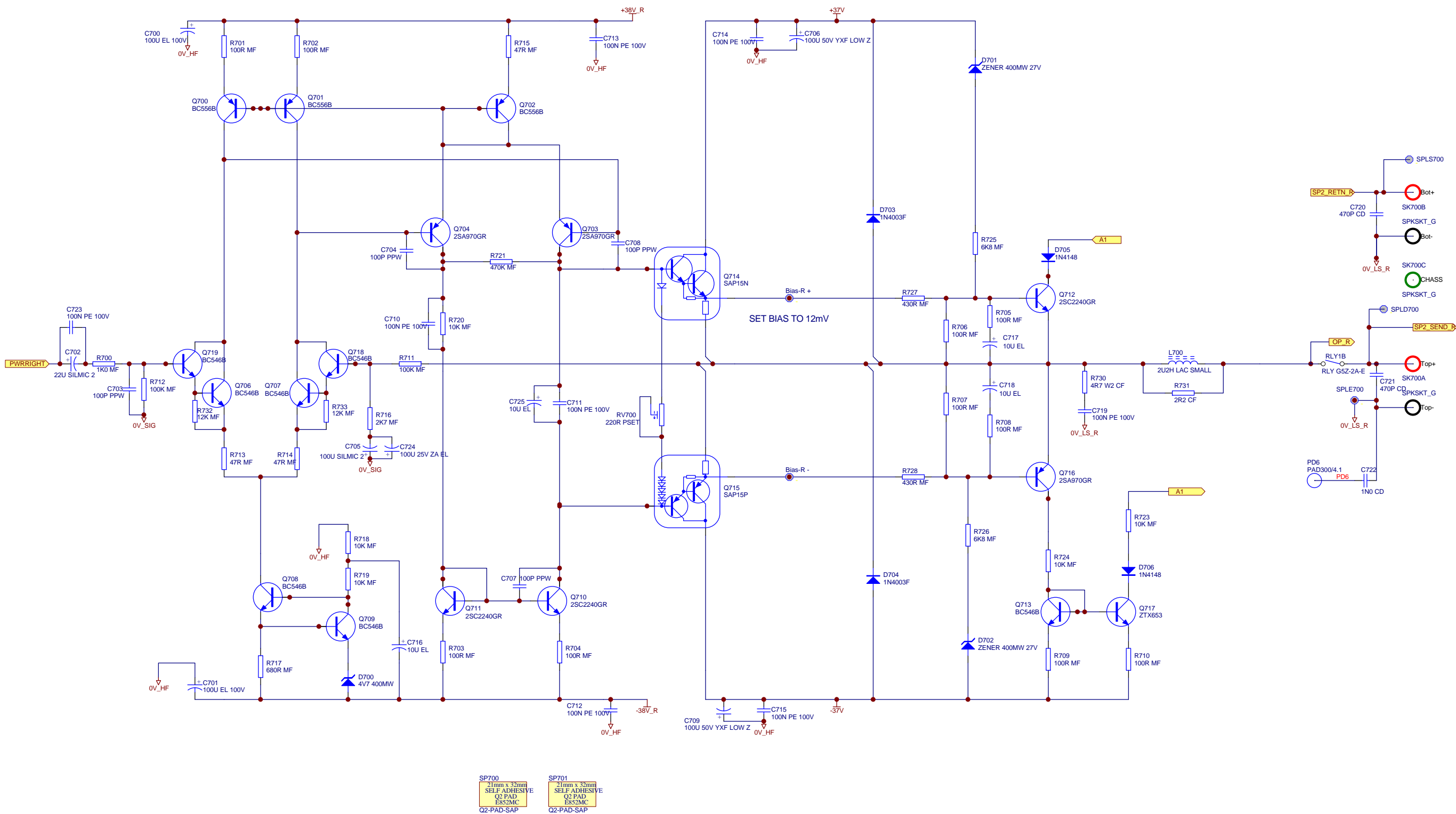
DO NOT USE THE FOLLOWING NUMBERS AS LINKS - THE DESIGNATORS ARE ALREADY USED ON OTHER PARTS OF THIS CCT!  
 LK100, LK101, LK102, LK103, LK104, LK168, LK170, LK171, LK172, LK173, LK174, LK175, LK176, LK177, LK200, LK239



WARNING SAFETY CRITICAL COMPONENT  
 REPLACE WITH IDENTICAL PART

USE EXCLUDE NF TO CREATE RUN OUT SHEET FOR A75  
 USE EXCLUDE A65 TO CREATE RUN OUT SHEET FOR A65

DRAWING TITLE							
<b>A75 PLUS AMP</b>							
<b>ARCAM</b>		Filename: L940C2_1.0.SCH					
A & R Cambridge Ltd. Pembroke Avenue Waterbeach Cambridge CB5 9PB		Notes: <b>POWER SUPPLY</b>					
Contact Engineer: Travis Pierce		Contact Tel: (01223) 203 200		Printed: 11-Dec-2001		Sheet 2 of 7	
				01_E020 TGP 12/12/01 PRODUCTION RELEASE		1.0	
				ECO No. INITIALS DATE DESCRIPTION OF CHANGE		ISSUE	
						DRAWING NO. <b>L940C2</b>	

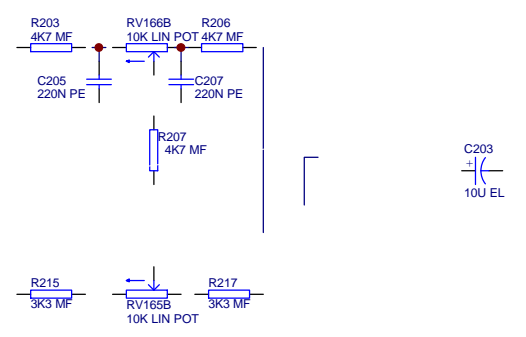
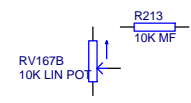


SP700  
21mm x 32mm  
SELF ADHESIVE  
Q2 PAD  
ERS2MC  
Q2-PAD-SAP

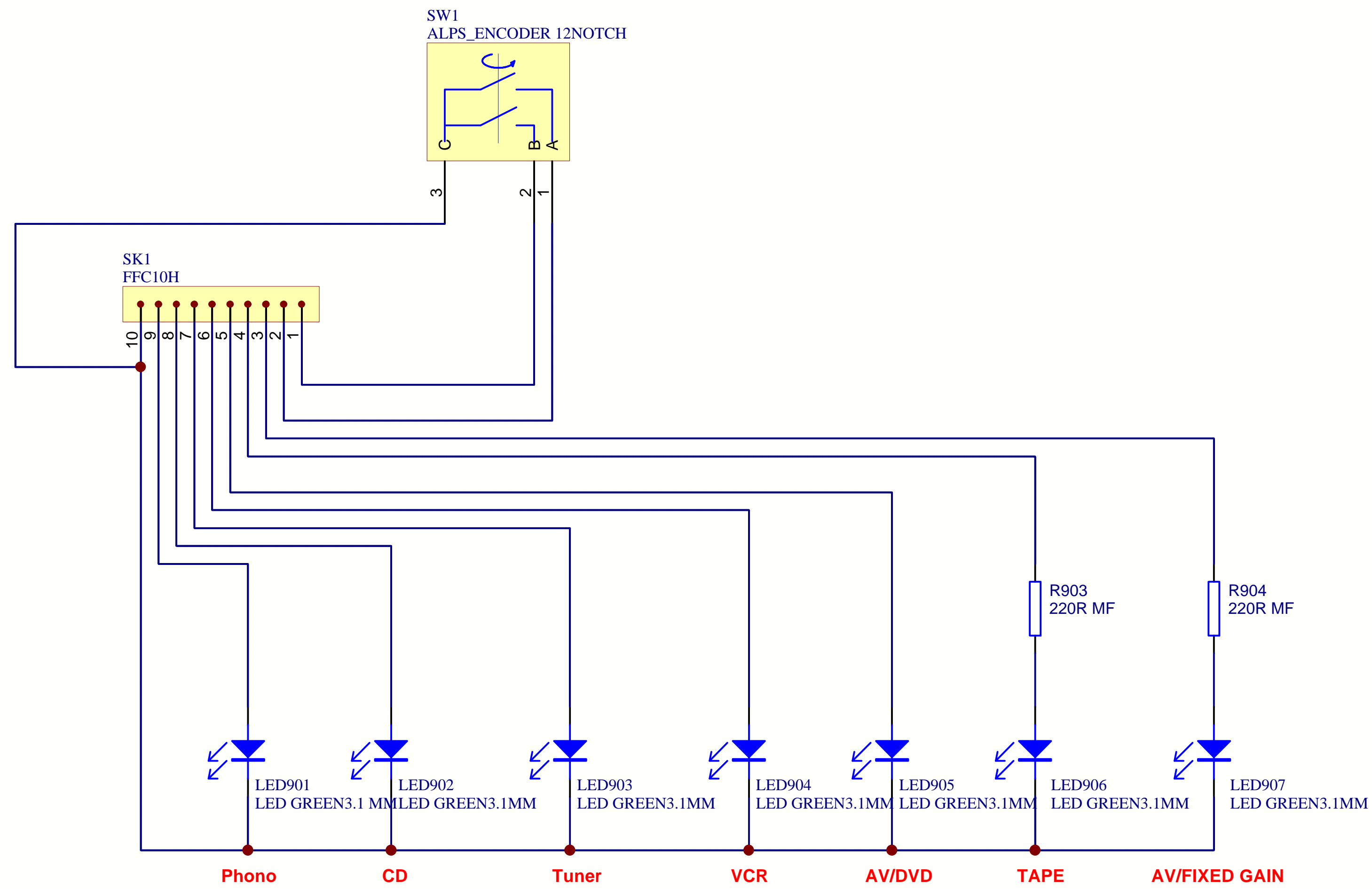
SP701  
21mm x 32mm  
SELF ADHESIVE  
Q2 PAD  
ERS2MC  
Q2-PAD-SAP

USE EXCLUDE NF TO CREATE RUN OUT SHEET FOR A75  
USE EXCLUDE A65 TO CREATE RUN OUT SHEET FOR A65

DRAWING TITLE		A75 PLUS AMP							
ARCAM		Filename: L940C6_1.0.SCH							
A & R Cambridge Ltd. Pembroke Avenue Waterbeach Cambridge CB5 9PB		Notes: Right Channel Power Amplifier							
Contact Engineer: Travis Pierce		Contact Tel: (01223) 203 200		Printed: 11-Dec-2001		Sheet 6 of 7		DRAWING NO. L940C6	
01_E020	TGP	12/12/01	PRODUCTION RELEASE					1.0	
ECO No.	INITIALS	DATE	DESCRIPTION OF CHANGE					ISSUE	



DRAWING TITLE	<b>A75 PLUS AMP</b>				
<b>ARCAM</b>	Filename: L940C4_1.0.SCH				
	Notes:				



PCB  
**PCB**  
 L885PB\_1

DRAWING TITLE		ECO No.	INITIALS	DATE	DESCRIPTION OF CHANGE	ISSUE
<b>DISPLAY PCB FOR A75 AMP</b>		N/A	CL	31-08-00	PRODUCTION RELEASE	1
<b>Circuit Diagram</b> Notes: A & R Cambridge Ltd. Pembroke Avenue Denny Industrial Centre Waterbeach Cambridge CB5 9PB		N/A	ES	31-07-00	CORRECTED TO MATCH MAIN PCB	C
		N/A	ES	14-06-00	ADD FLEXFOIL CONNECTORS AND CHANGE ENCODER	B
		N/A	WAF	27-3-00	FIRST PROTOTYPE	A
Filename	Date Printed	Drawn by:		Sheet 1 of 1		DRAWING NO. L885C1_A
J:\PROJECTS\A75\cct & pcb\issue b wip\L885PB\L885pb.ddb - ISSUE 1	12-Sep-2000	ES				