

All use SMD component if possible

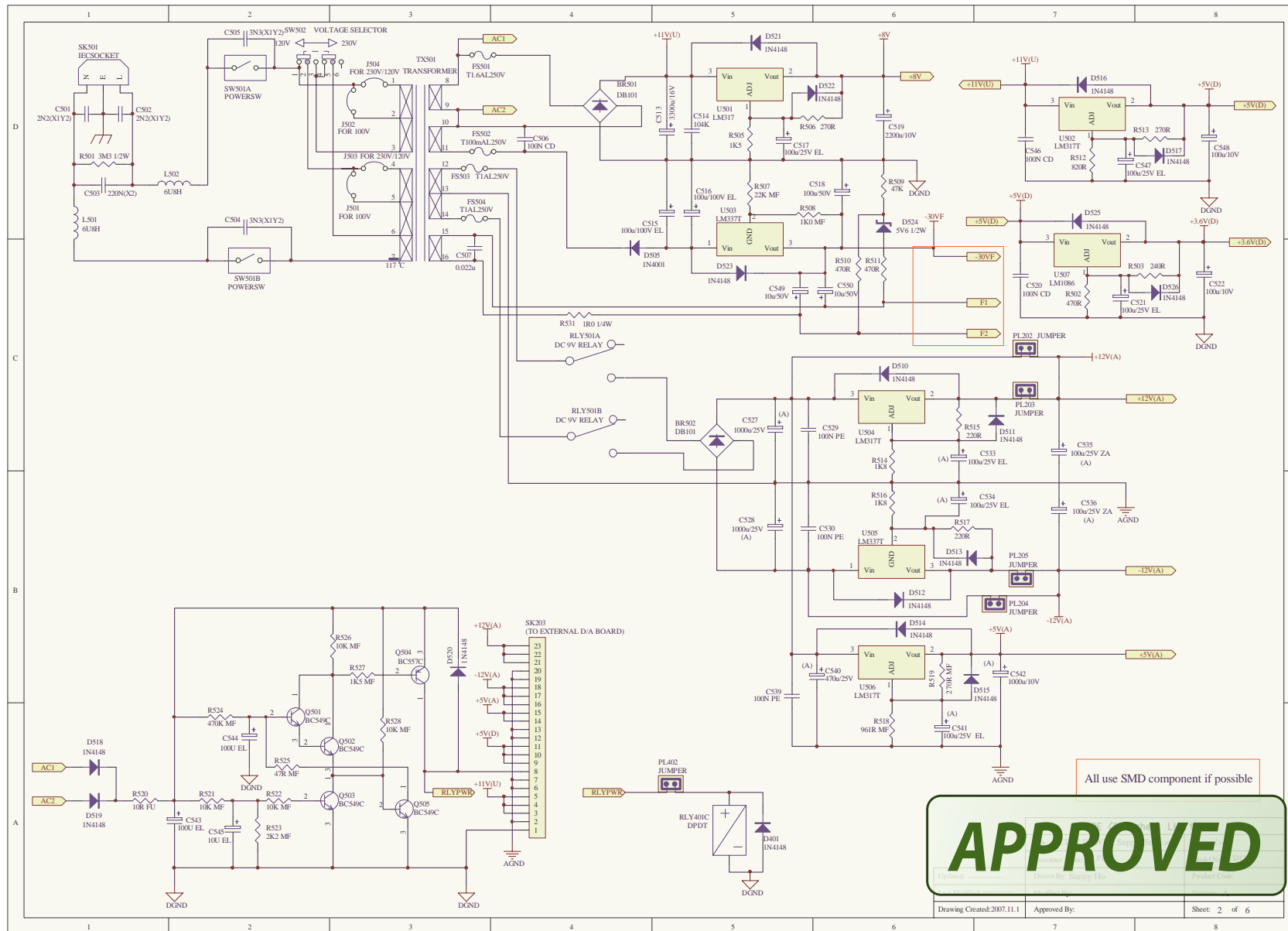
F1

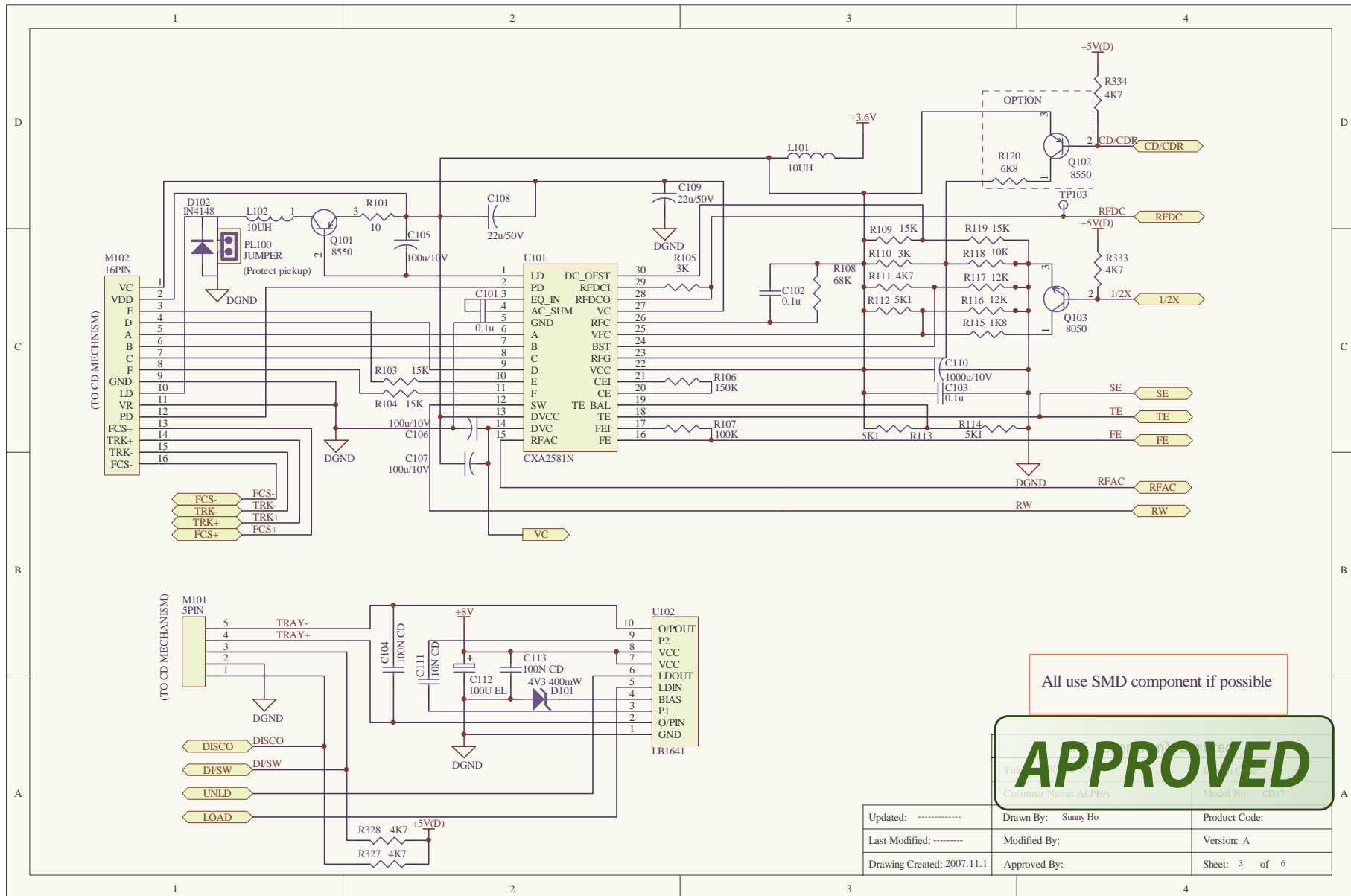
LED SNAP OFF BOARD

VFD on off

APPROVED

Updated: -----	Drawn By: Sunny Ho	Product Code:
Last Modified: -----	Modified By:	Version: A
Drawing Created: 2007.11.1	Approved By:	Sheet: 1 of 6

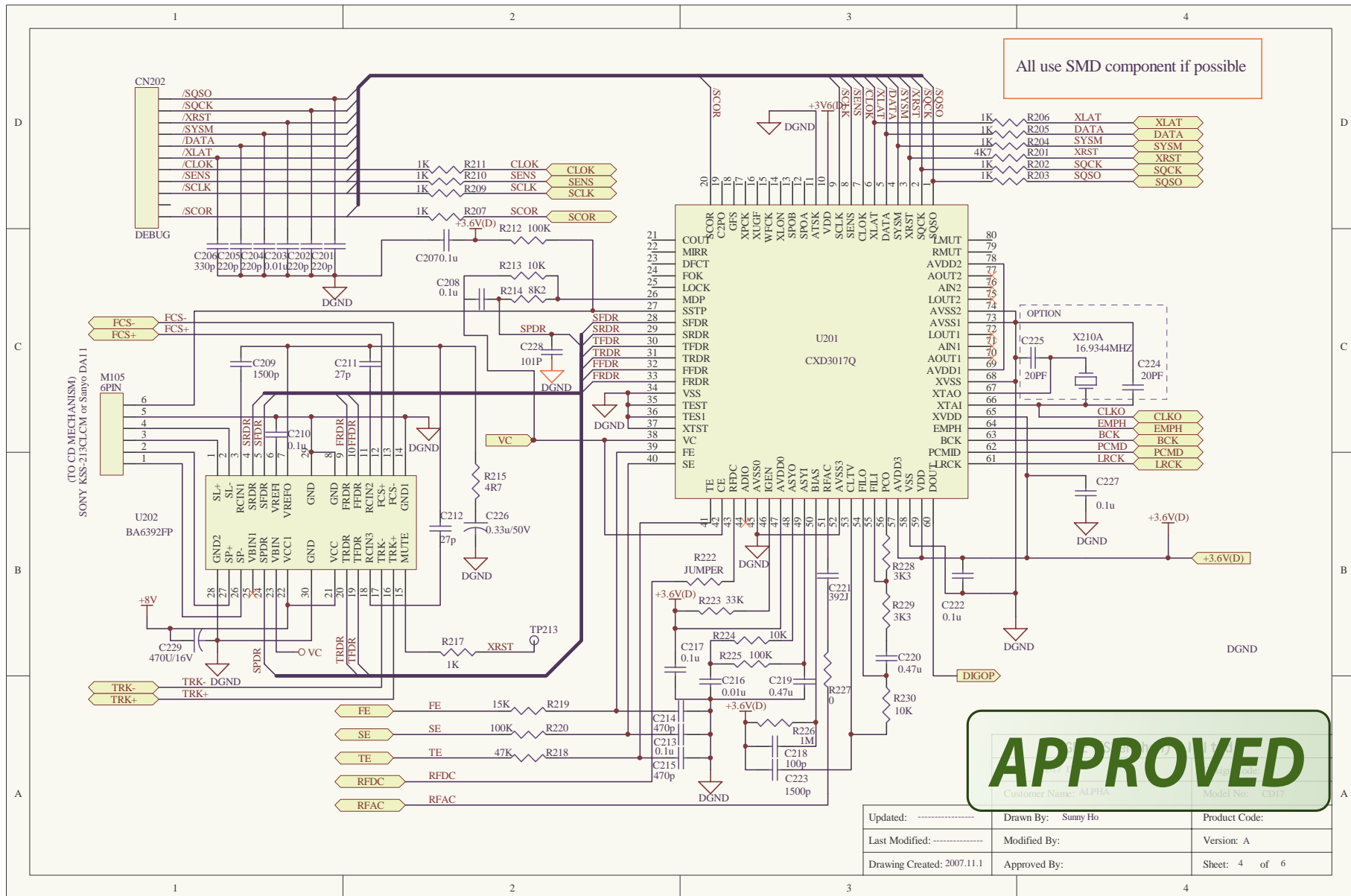




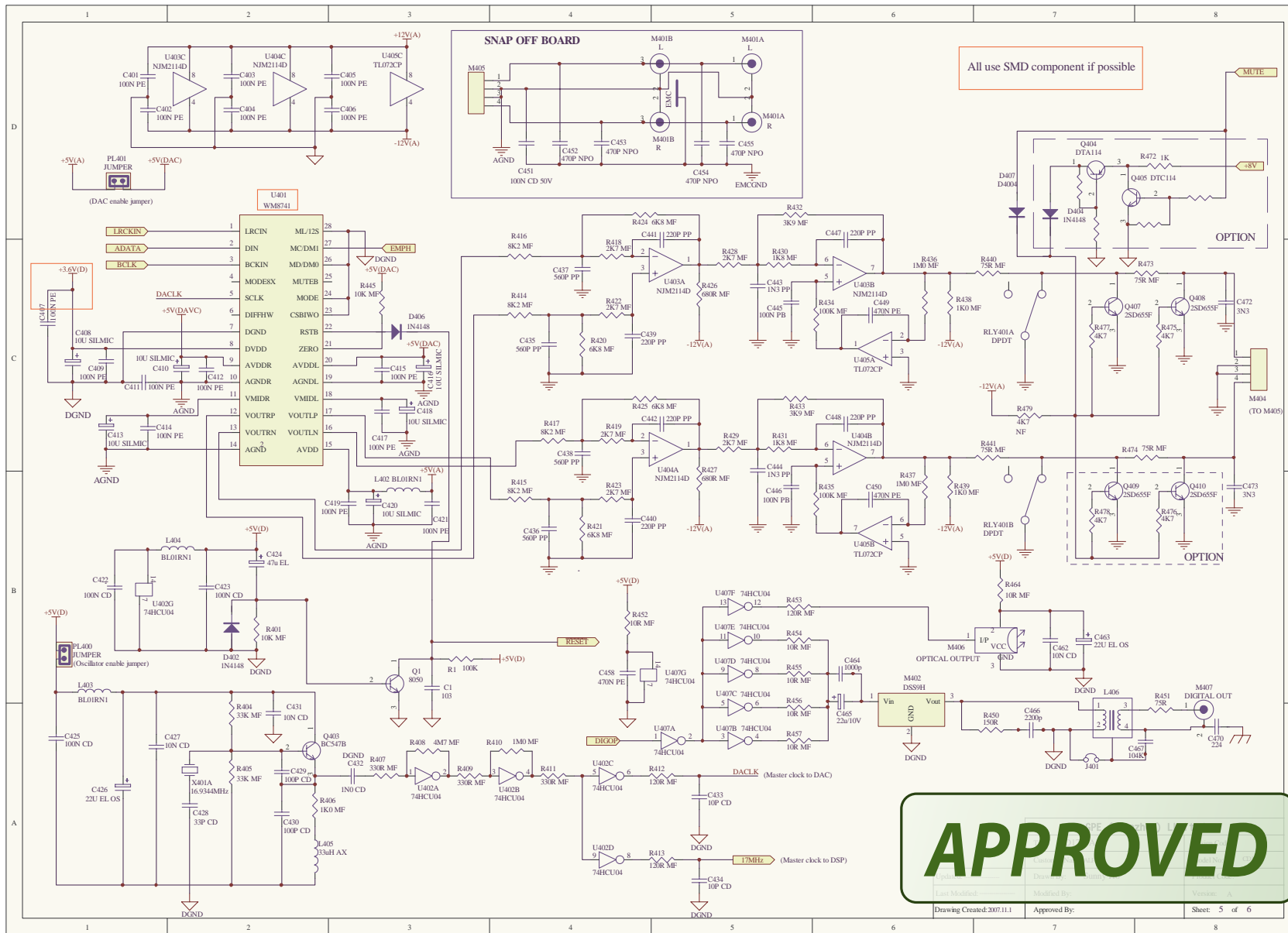
All use SMD component if possible

APPROVED

Updated: -----	Drawn By: Sunny Ho	Product Code:
Last Modified: -----	Modified By:	Version: A
Drawing Created: 2007.11.1	Approved By:	Sheet: 3 of 6



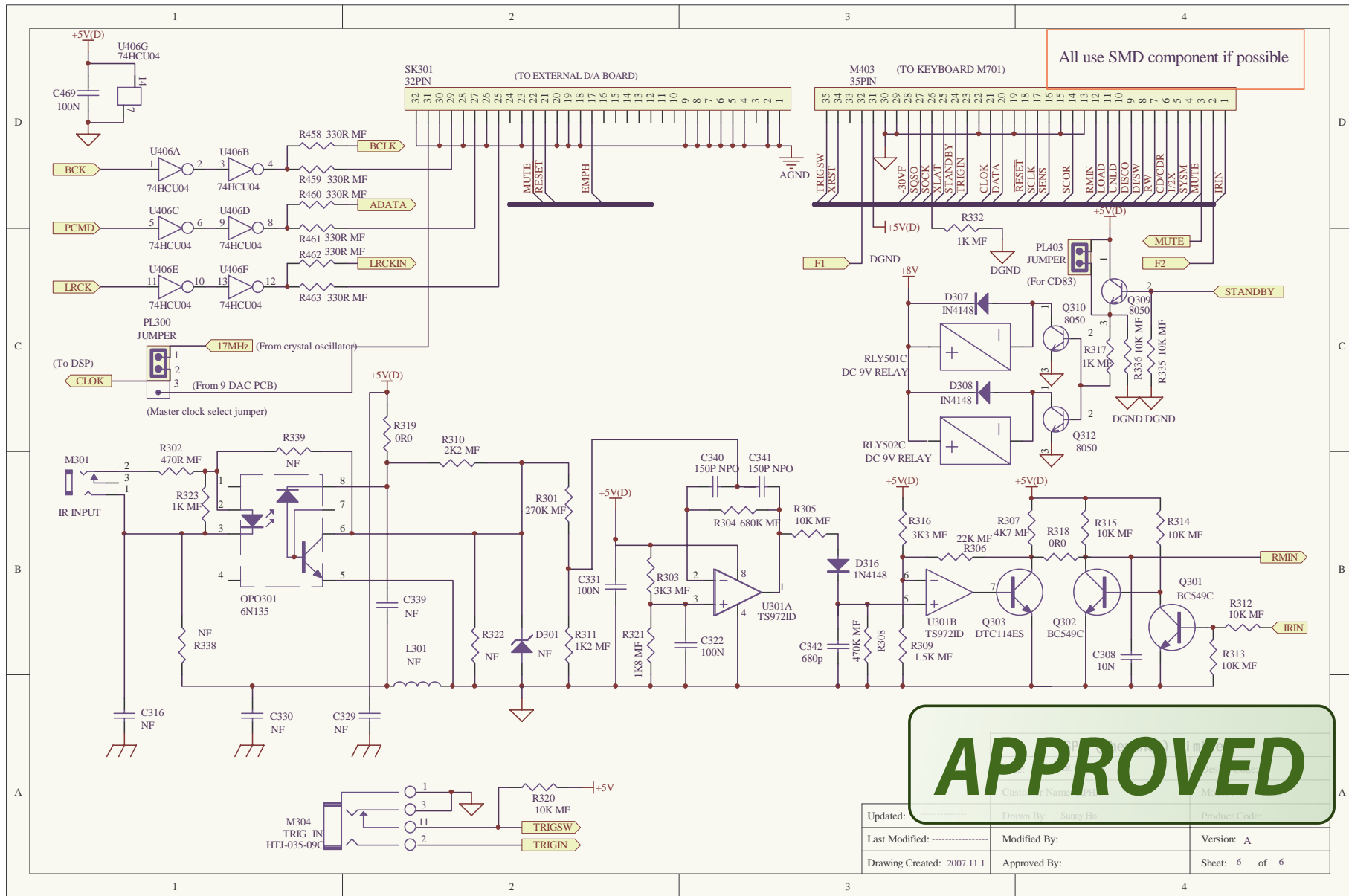
Updated:	Drawn By: Sunny Ho	Product Code:
Last Modified:	Modified By:	Version: A
Drawing Created: 2007.11.1	Approved By:	Sheet: 4 of 6



All use SMD component if possible

APPROVED

Last Modified: _____ Drawn By: _____ Version: A
 Drawing Created: 2007.11.1 Approved By: _____ Sheet: 5 of 6



All use SMD component if possible

APPROVED

Updated:	Drawn By: Sun Ho	Product Code:
Last Modified:	Modified By:	Version: A
Drawing Created: 2007.11.1	Approved By:	Sheet: 6 of 6