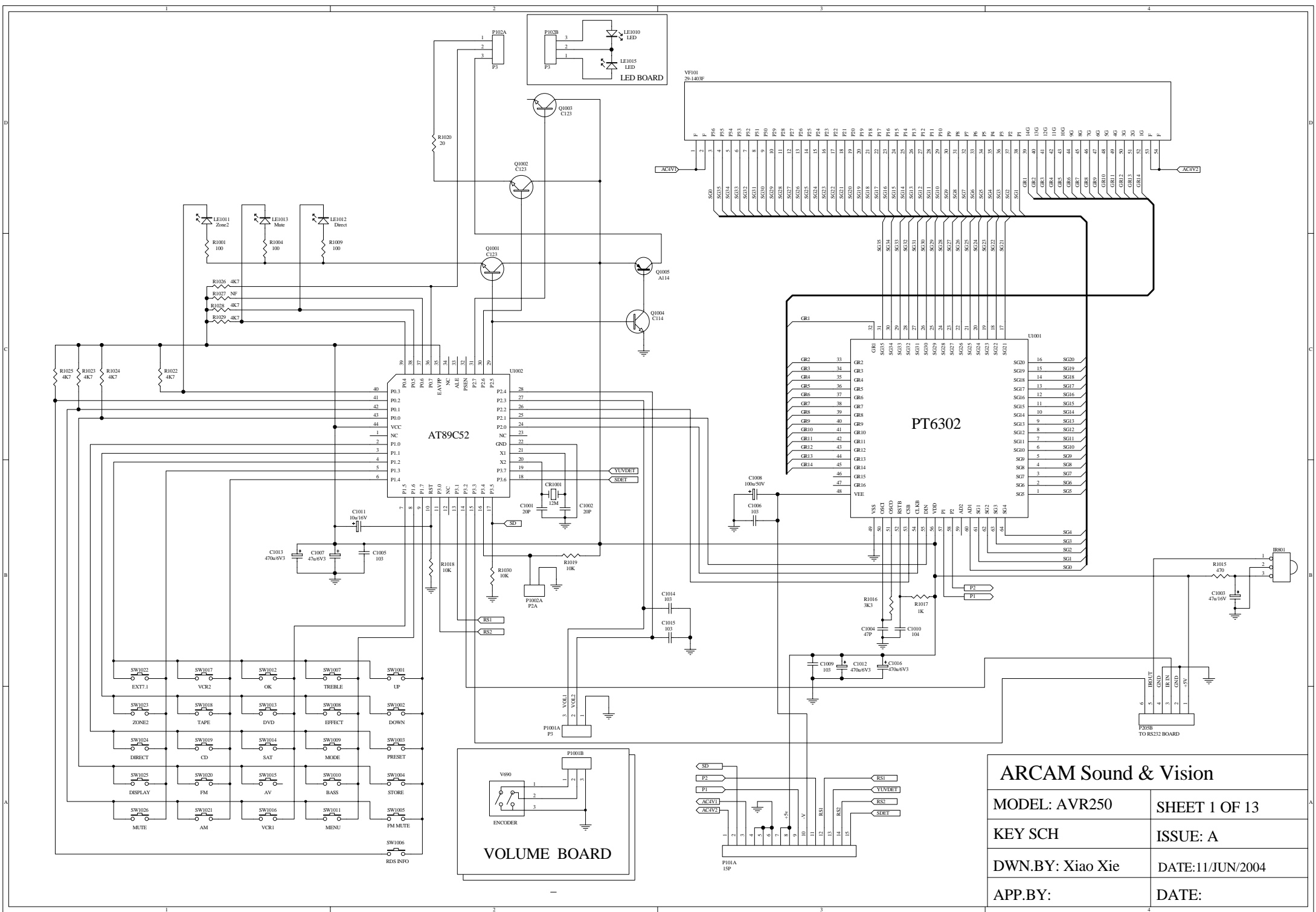


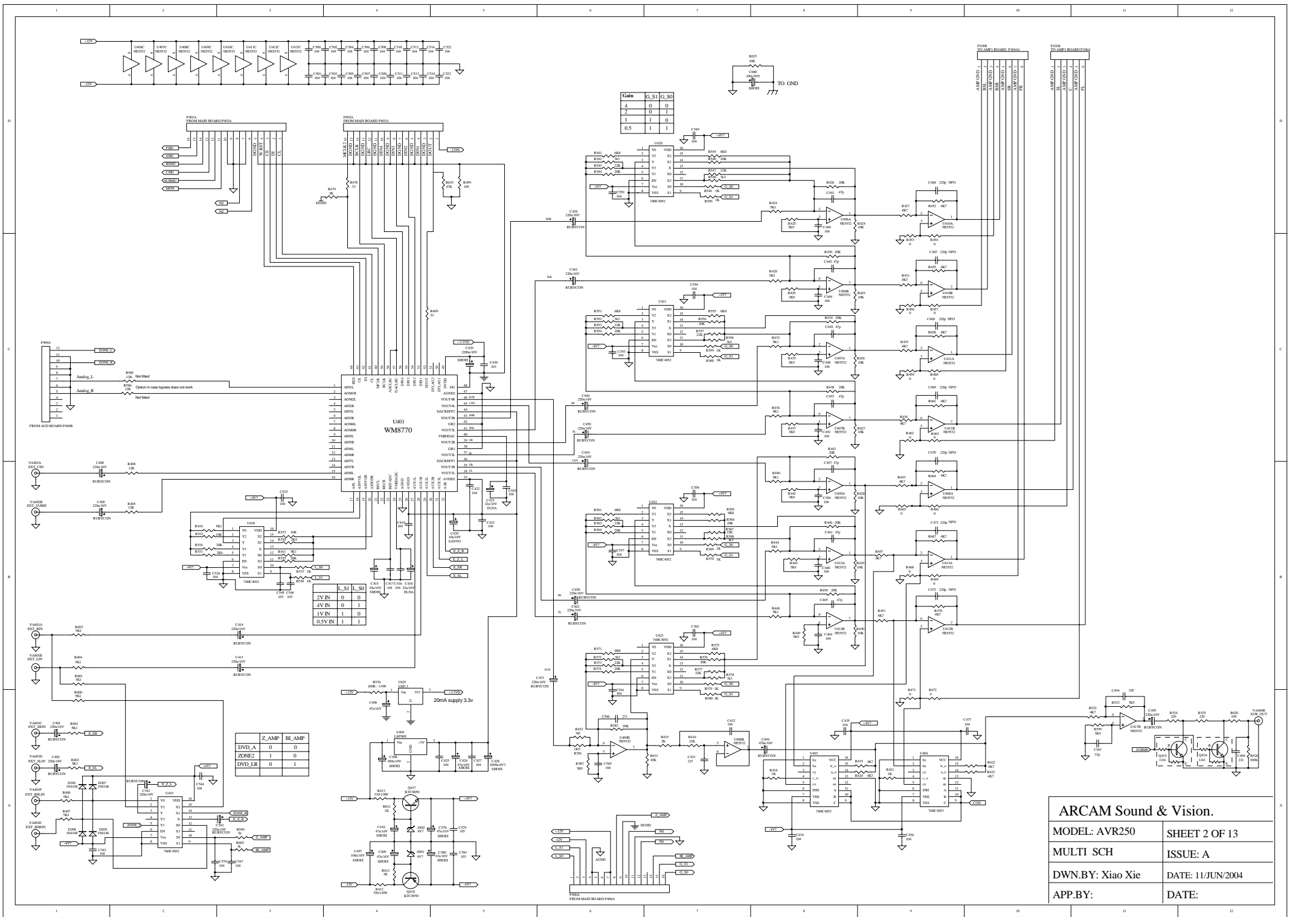
AVR250

AVR250 Circuit diagrams





ARCAM Sound & Vision	
MODEL: AVR250	SHEET 1 OF 13
KEY SCH	ISSUE: A
DWN.BY: Xiao Xie	DATE: 11/JUN/2004
APP.BY:	DATE:

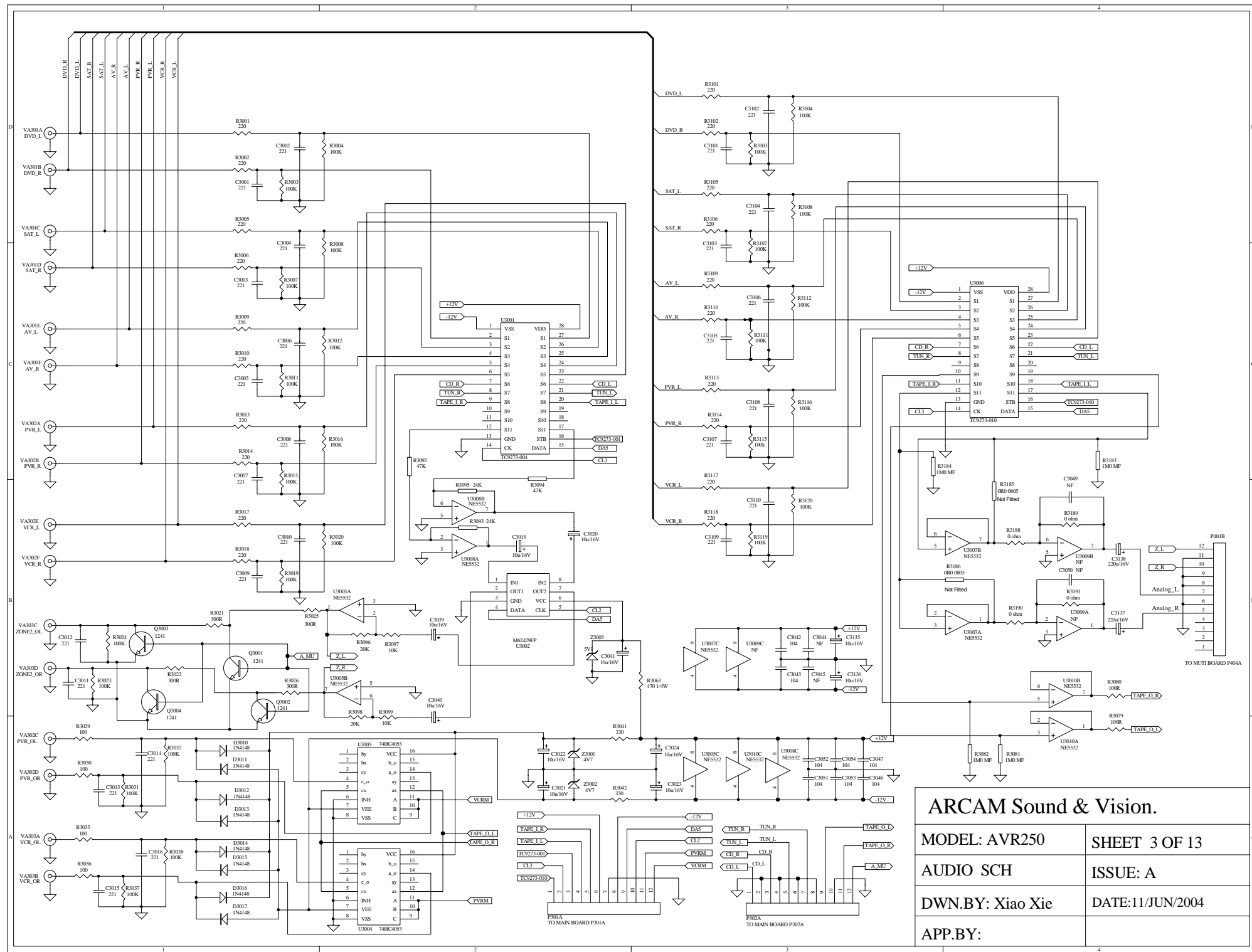


Gain	G,S1	G,S0
4	0	0
2	0	1
1	1	0
0.5	1	1

	L,S1	L,S0
2V IN	0	0
4V IN	0	1
1V IN	1	0
0.5V IN	1	1

	Z,AMP	BLAMP
DVD_A	0	0
ZONE2	1	0
DVD_LR	0	1

ARCAM Sound & Vision.	
MODEL: AVR250	SHEET 2 OF 13
MULTI SCH	ISSUE: A
DWN.BY: Xiao Xie	DATE: 11/JUN/2004
APP.BY:	DATE:



ARCAM Sound & Vision.

MODEL: AVR250

SHEET 3 OF 13

AUDIO SCH

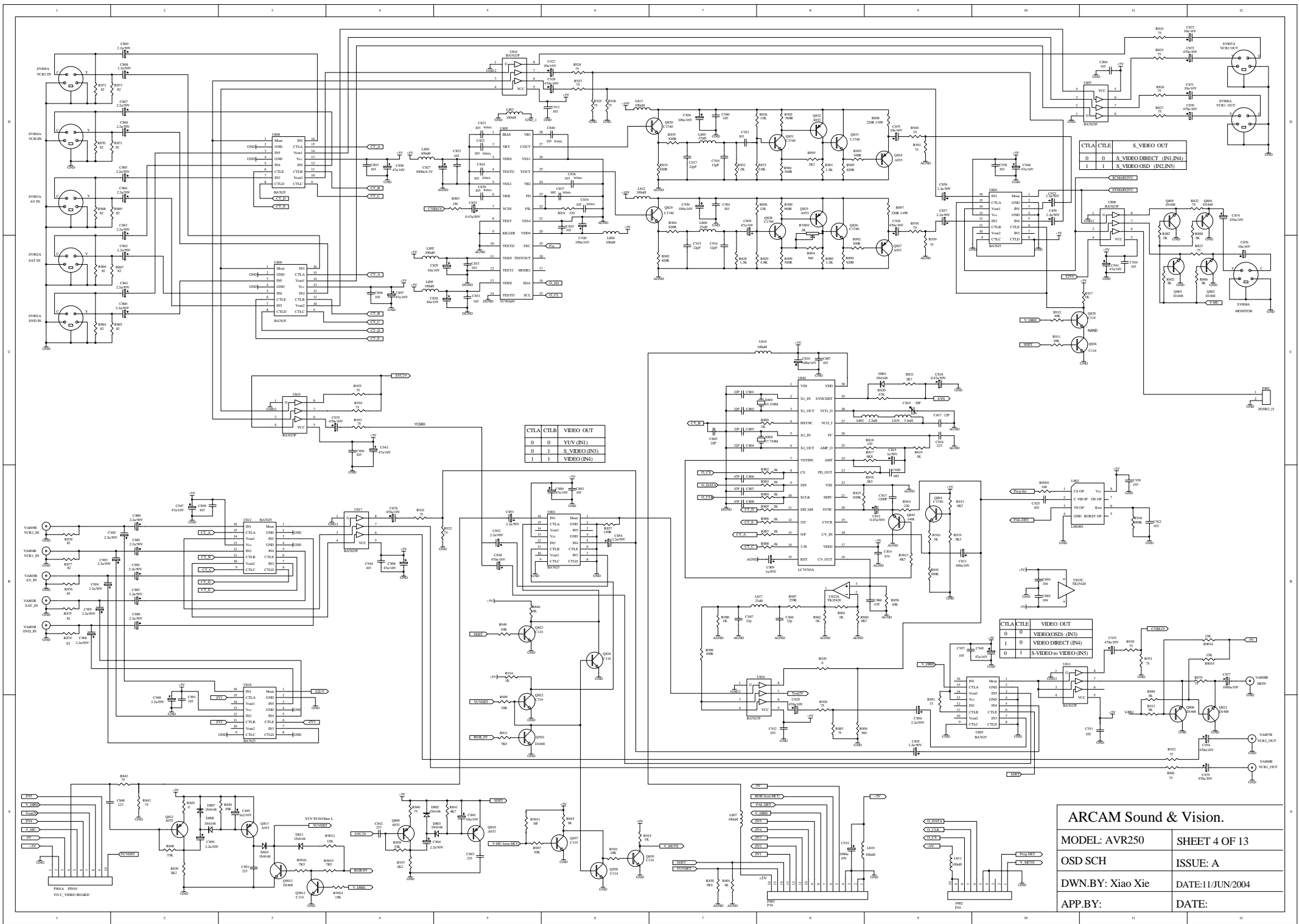
ISSUE: A

DWN.BY: Xiao Xie

DATE: 11/JUN/2004

APP.BY:

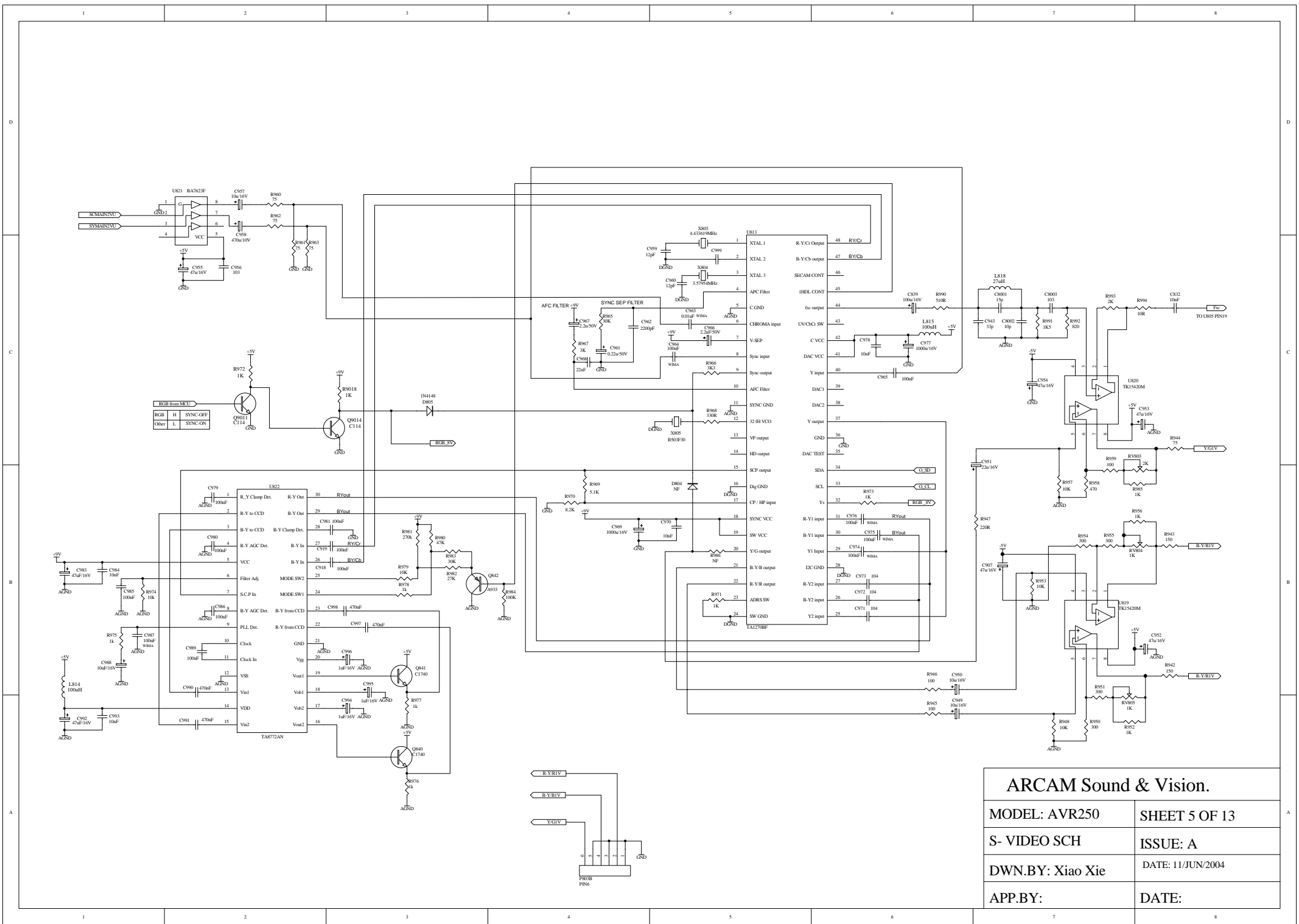
MODEL: AVR250	SHEET 3 OF 13
AUDIO SCH	ISSUE: A
DWN.BY: Xiao Xie	DATE: 11/JUN/2004
APP.BY:	



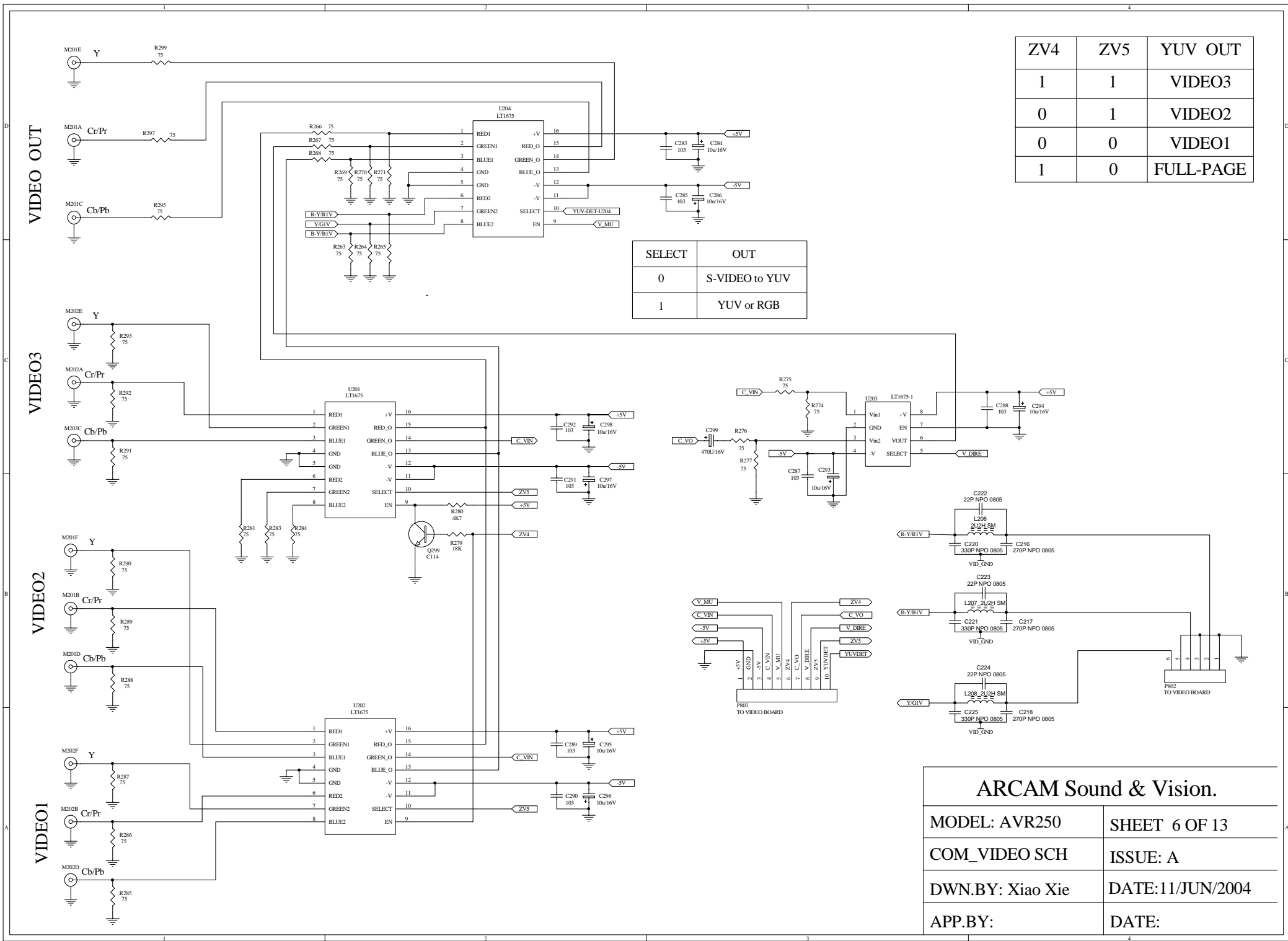
CTLA	CTLB	VIDEO OUT
0	0	YUV (IN1)
0	1	S-VIDEO (IN4)
1	1	VIDEO (IN4)

CTLA	CTLB	VIDEO OUT
0	0	VIDEO DIRECT (IN3)
0	1	S-VIDEO (IN5)
1	1	S-VIDEO 60 VIDEO (IN5)

ARCAM Sound & Vision.	
MODEL: AVR250	SHEET 4 OF 13
OSD SCH	ISSUE: A
DWN.BY: Xiao Xie	DATE: 11/JUN/2004
APP.BY:	DATE:



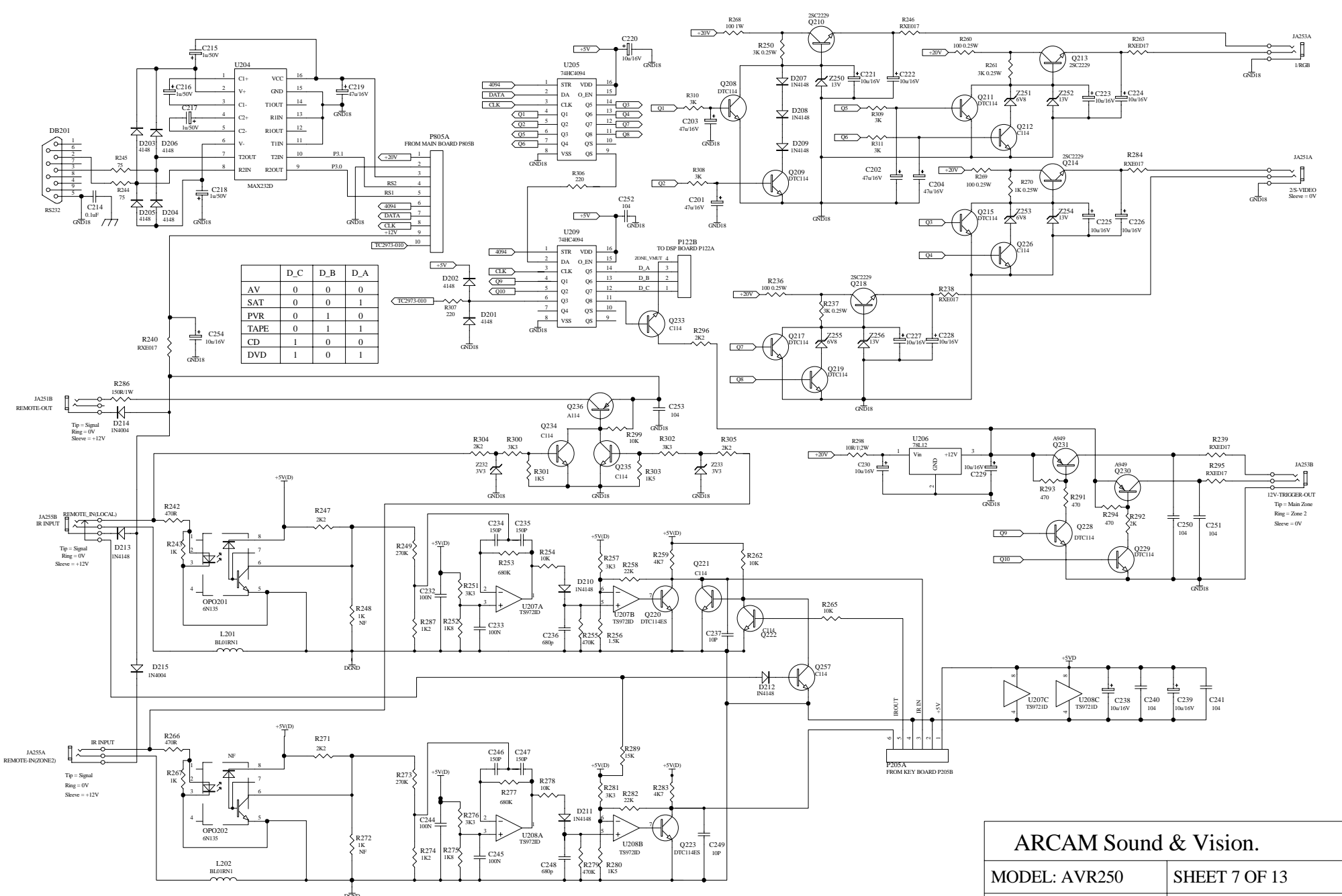
ARCAM Sound & Vision.	
MODEL: AVR250	SHEET 5 OF 13
S- VIDEO SCH	ISSUE: A
DWN.BY: Xiao Xie	DATE: 11/JUN/2004
APP.BY:	DATE:



ZV4	ZV5	YUV OUT
1	1	VIDEO3
0	1	VIDEO2
0	0	VIDEO1
1	0	FULL-PAGE

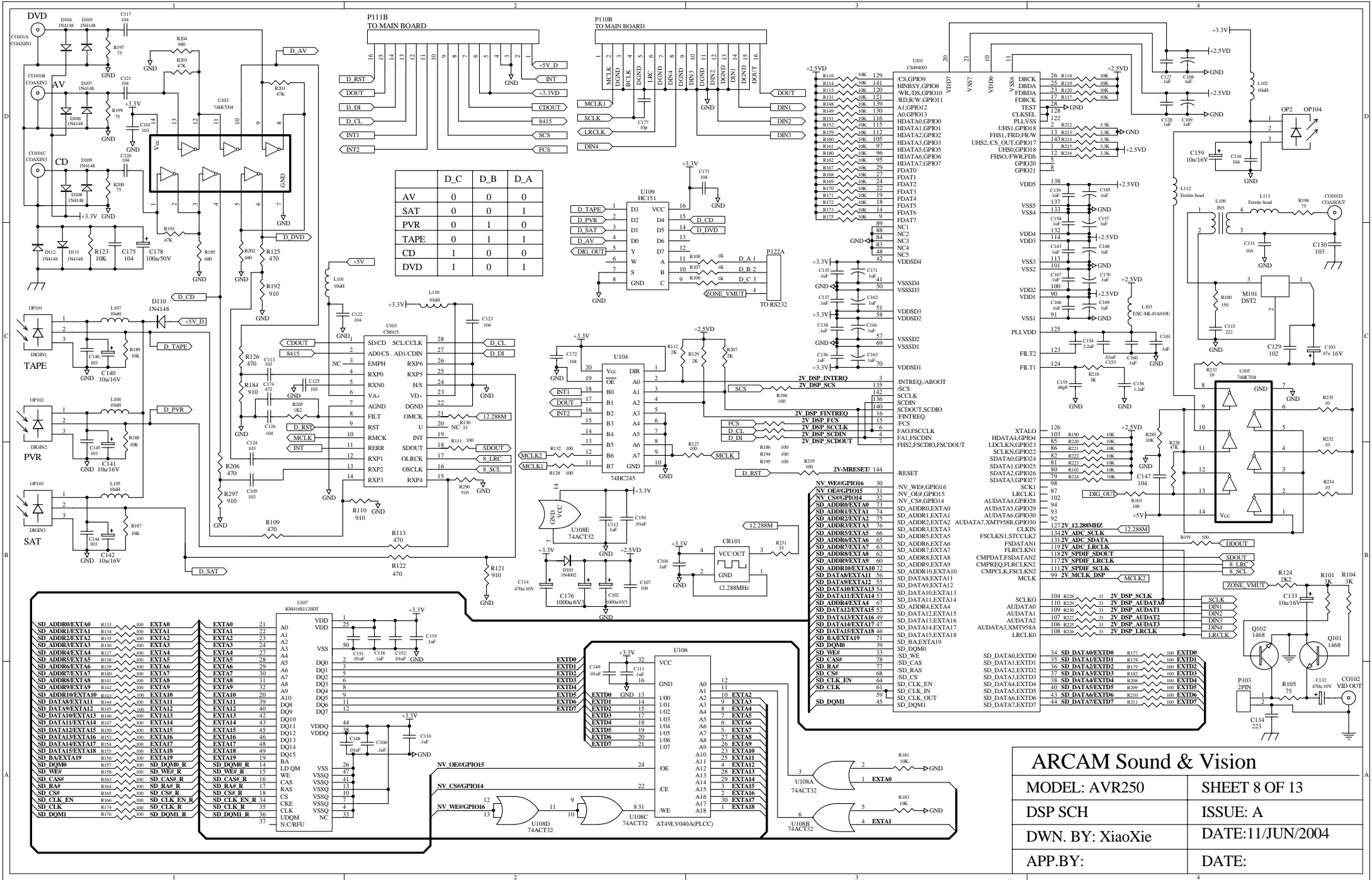
SELECT	OUT
0	S-VIDEO to YUV
1	YUV or RGB

ARCAM Sound & Vision.	
MODEL: AVR250	SHEET 6 OF 13
COM_VIDEO SCH	ISSUE: A
DWN.BY: Xiao Xie	DATE:11/JUN/2004
APP.BY:	DATE:

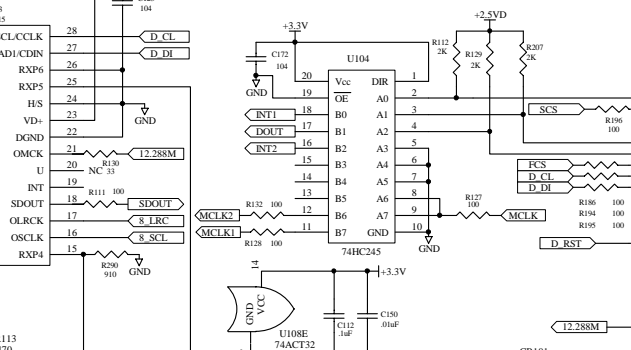


	D_C	D_B	D_A
AV	0	0	0
SAT	0	0	1
PVR	0	1	0
TAPE	0	1	1
CD	1	0	0
DVD	1	0	1

ARCAM Sound & Vision.	
MODEL: AVR250	SHEET 7 OF 13
RS232 SCH	ISSUE: A
DWN.BY: Xiao Xie	DATE:11/JUN/2004
APP.BY:	DATE:



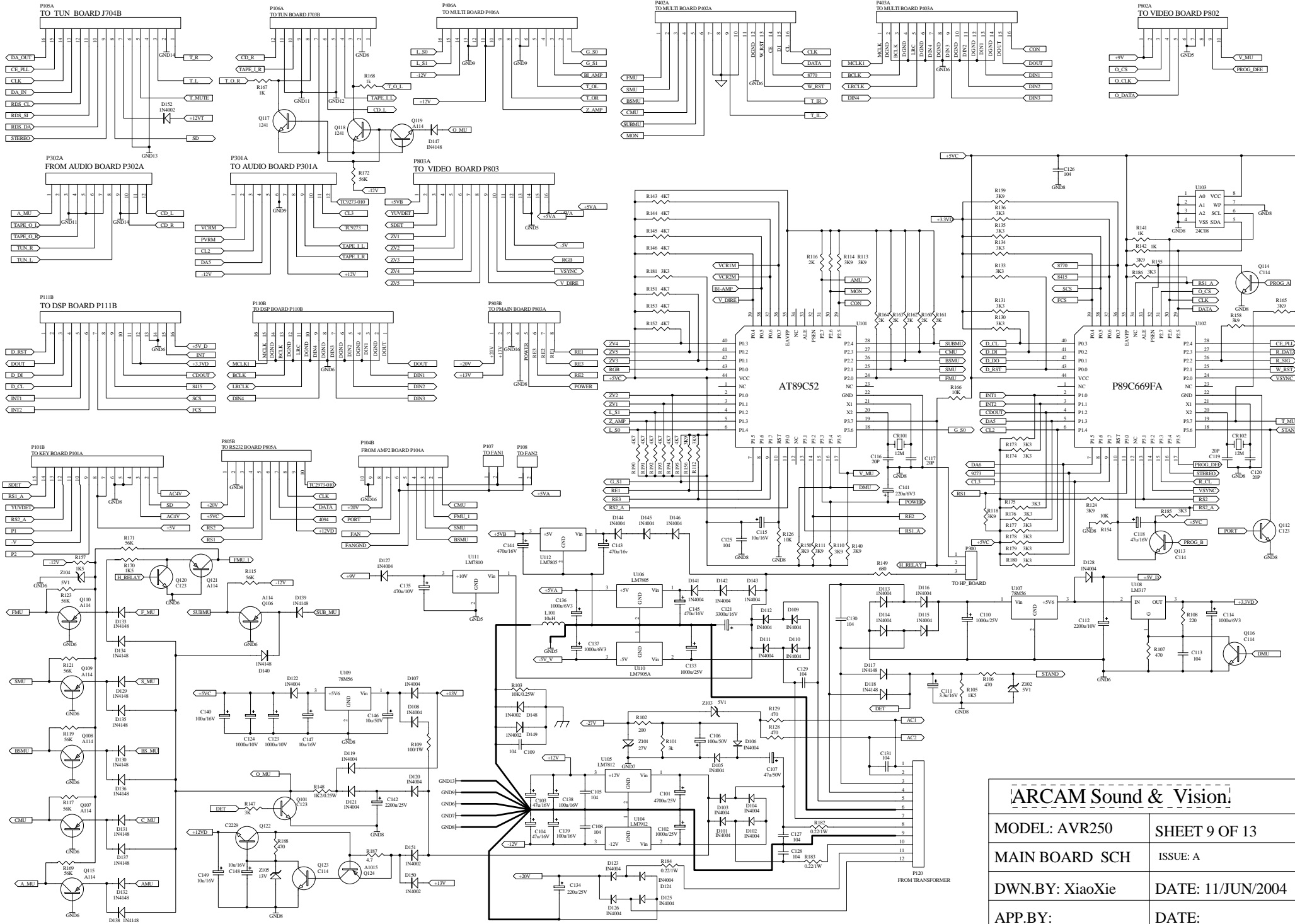
	D_C	D_B	D_A
AV	0	0	0
SAT	0	0	1
PVR	0	1	0
TAPE	0	1	1
CD	1	0	0
DVD	1	0	1



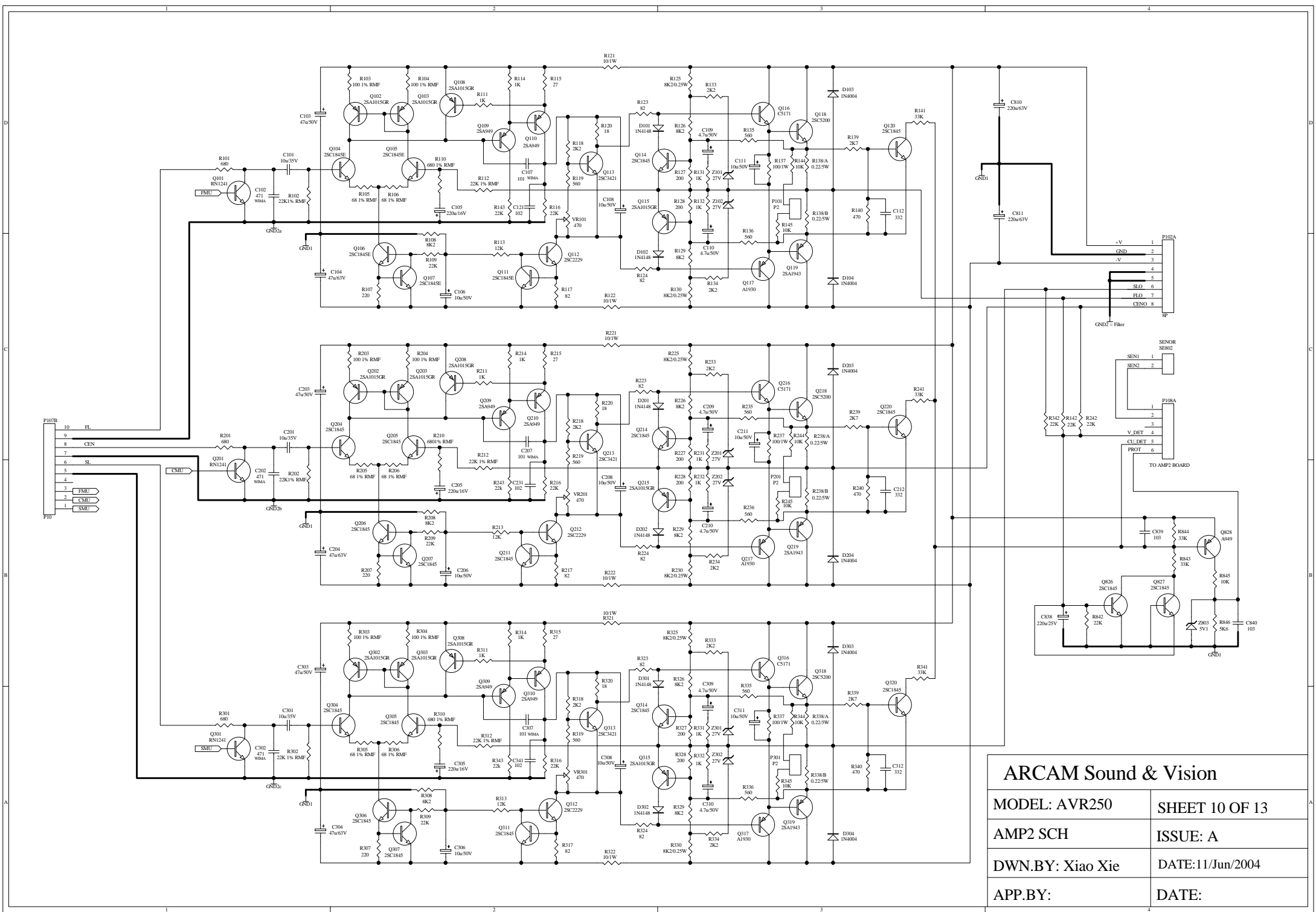
Pin	Signal	Value
1	VDD	+3.3V
2	VDD	+3.3V
3	VDD	+3.3V
4	VDD	+3.3V
5	VDD	+3.3V
6	VDD	+3.3V
7	VDD	+3.3V
8	VDD	+3.3V
9	VDD	+3.3V
10	VDD	+3.3V
11	VDD	+3.3V
12	VDD	+3.3V
13	VDD	+3.3V
14	VDD	+3.3V
15	VDD	+3.3V
16	VDD	+3.3V
17	VDD	+3.3V
18	VDD	+3.3V
19	VDD	+3.3V
20	VDD	+3.3V
21	VDD	+3.3V
22	VDD	+3.3V
23	VDD	+3.3V
24	VDD	+3.3V
25	VDD	+3.3V
26	VDD	+3.3V
27	VDD	+3.3V
28	VDD	+3.3V
29	VDD	+3.3V
30	VDD	+3.3V
31	VDD	+3.3V
32	VDD	+3.3V
33	VDD	+3.3V
34	VDD	+3.3V
35	VDD	+3.3V
36	VDD	+3.3V
37	VDD	+3.3V
38	VDD	+3.3V
39	VDD	+3.3V
40	VDD	+3.3V
41	VDD	+3.3V
42	VDD	+3.3V
43	VDD	+3.3V
44	VDD	+3.3V
45	VDD	+3.3V
46	VDD	+3.3V
47	VDD	+3.3V
48	VDD	+3.3V
49	VDD	+3.3V
50	VDD	+3.3V
51	VDD	+3.3V
52	VDD	+3.3V
53	VDD	+3.3V
54	VDD	+3.3V
55	VDD	+3.3V
56	VDD	+3.3V
57	VDD	+3.3V
58	VDD	+3.3V
59	VDD	+3.3V
60	VDD	+3.3V
61	VDD	+3.3V
62	VDD	+3.3V
63	VDD	+3.3V
64	VDD	+3.3V
65	VDD	+3.3V
66	VDD	+3.3V
67	VDD	+3.3V
68	VDD	+3.3V
69	VDD	+3.3V
70	VDD	+3.3V
71	VDD	+3.3V
72	VDD	+3.3V
73	VDD	+3.3V
74	VDD	+3.3V
75	VDD	+3.3V
76	VDD	+3.3V
77	VDD	+3.3V
78	VDD	+3.3V
79	VDD	+3.3V
80	VDD	+3.3V
81	VDD	+3.3V
82	VDD	+3.3V
83	VDD	+3.3V
84	VDD	+3.3V
85	VDD	+3.3V
86	VDD	+3.3V
87	VDD	+3.3V
88	VDD	+3.3V
89	VDD	+3.3V
90	VDD	+3.3V
91	VDD	+3.3V
92	VDD	+3.3V
93	VDD	+3.3V
94	VDD	+3.3V
95	VDD	+3.3V
96	VDD	+3.3V
97	VDD	+3.3V
98	VDD	+3.3V
99	VDD	+3.3V
100	VDD	+3.3V

ARCAM Sound & Vision

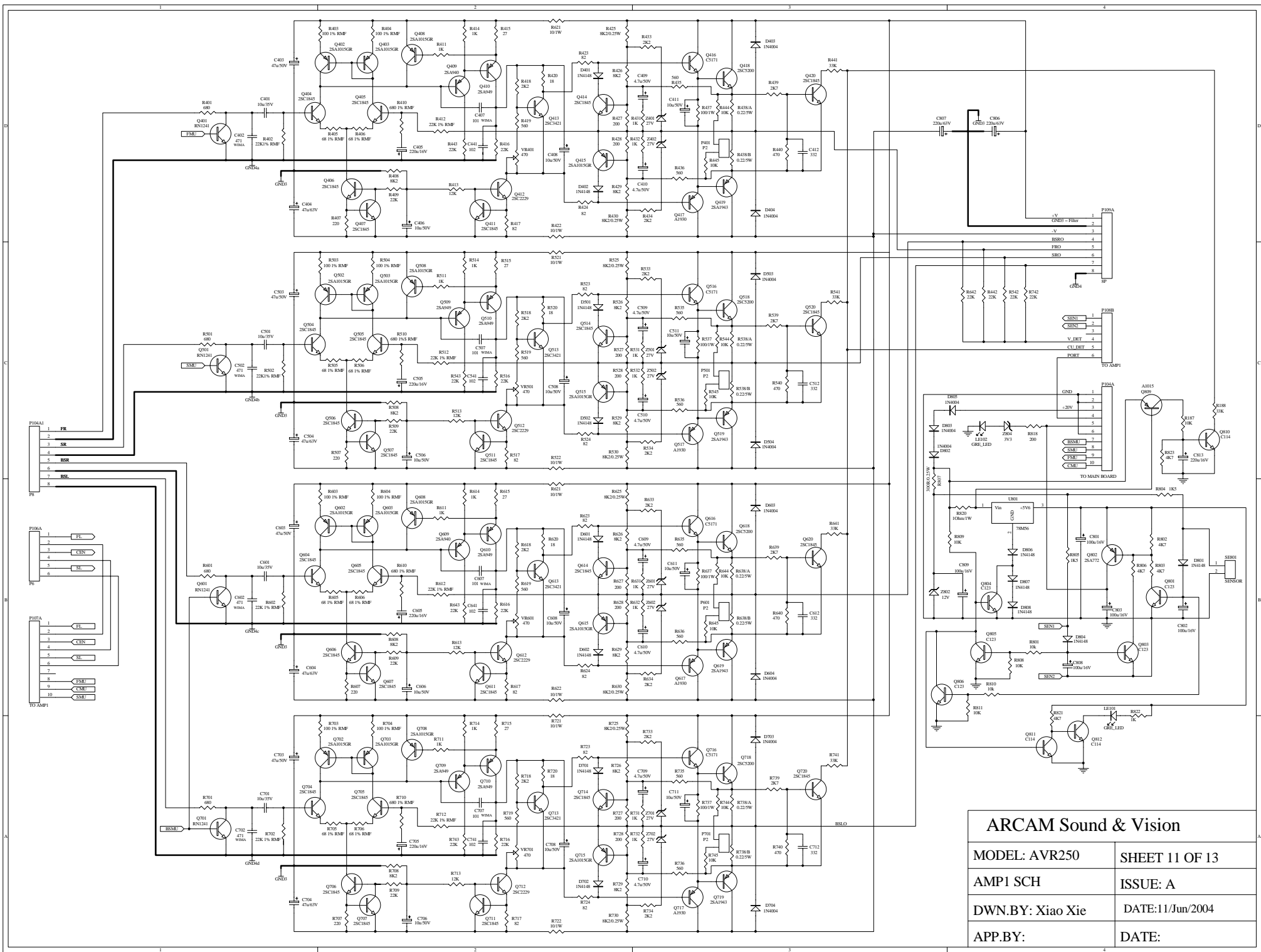
MODEL: AVR250	SHEET 8 OF 13
DSP SCH	ISSUE: A
DWN. BY: XiaoXie	DATE: 11/JUN/2004
APP. BY:	DATE:



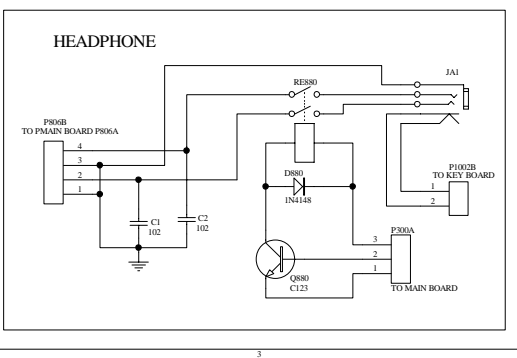
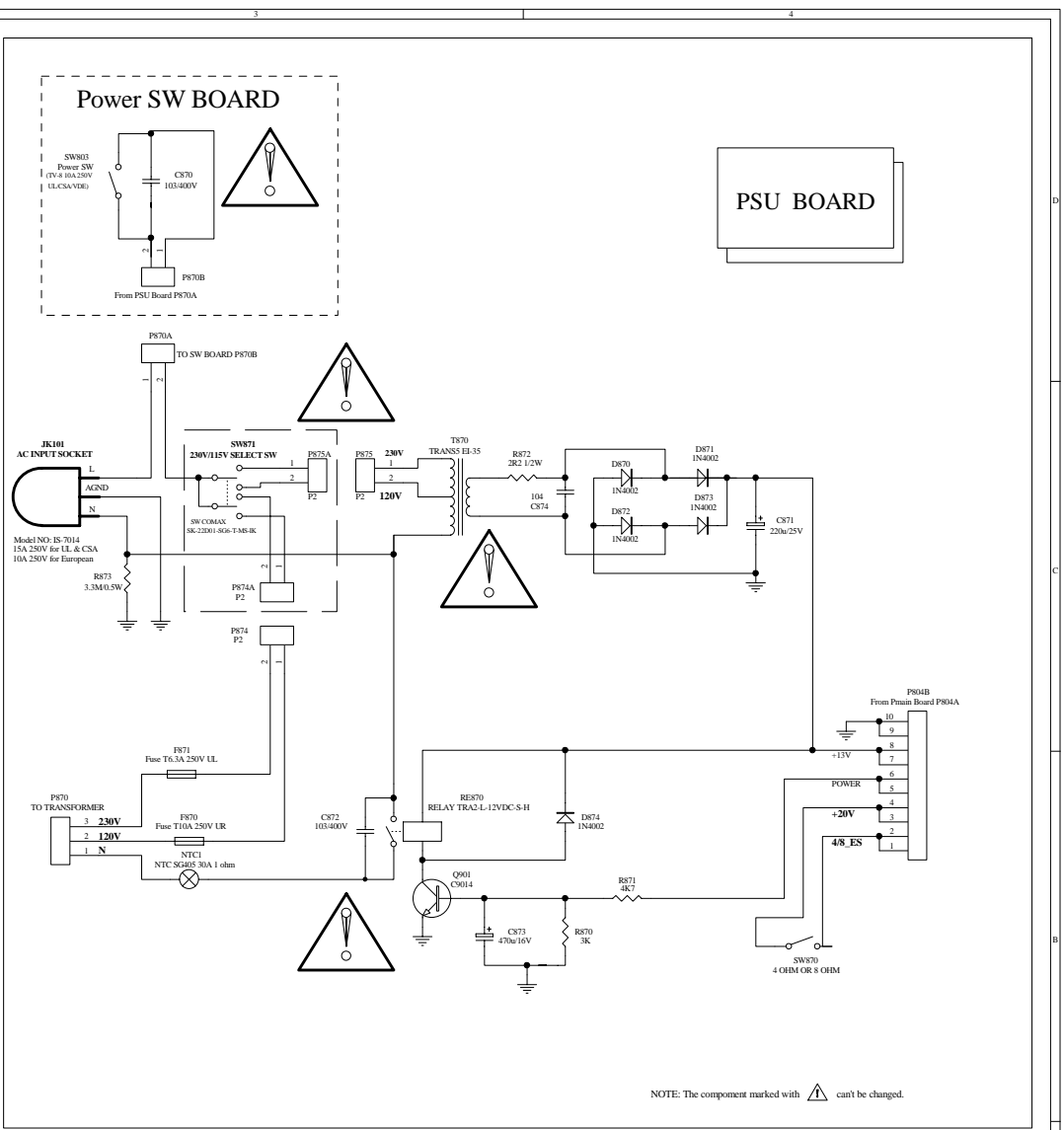
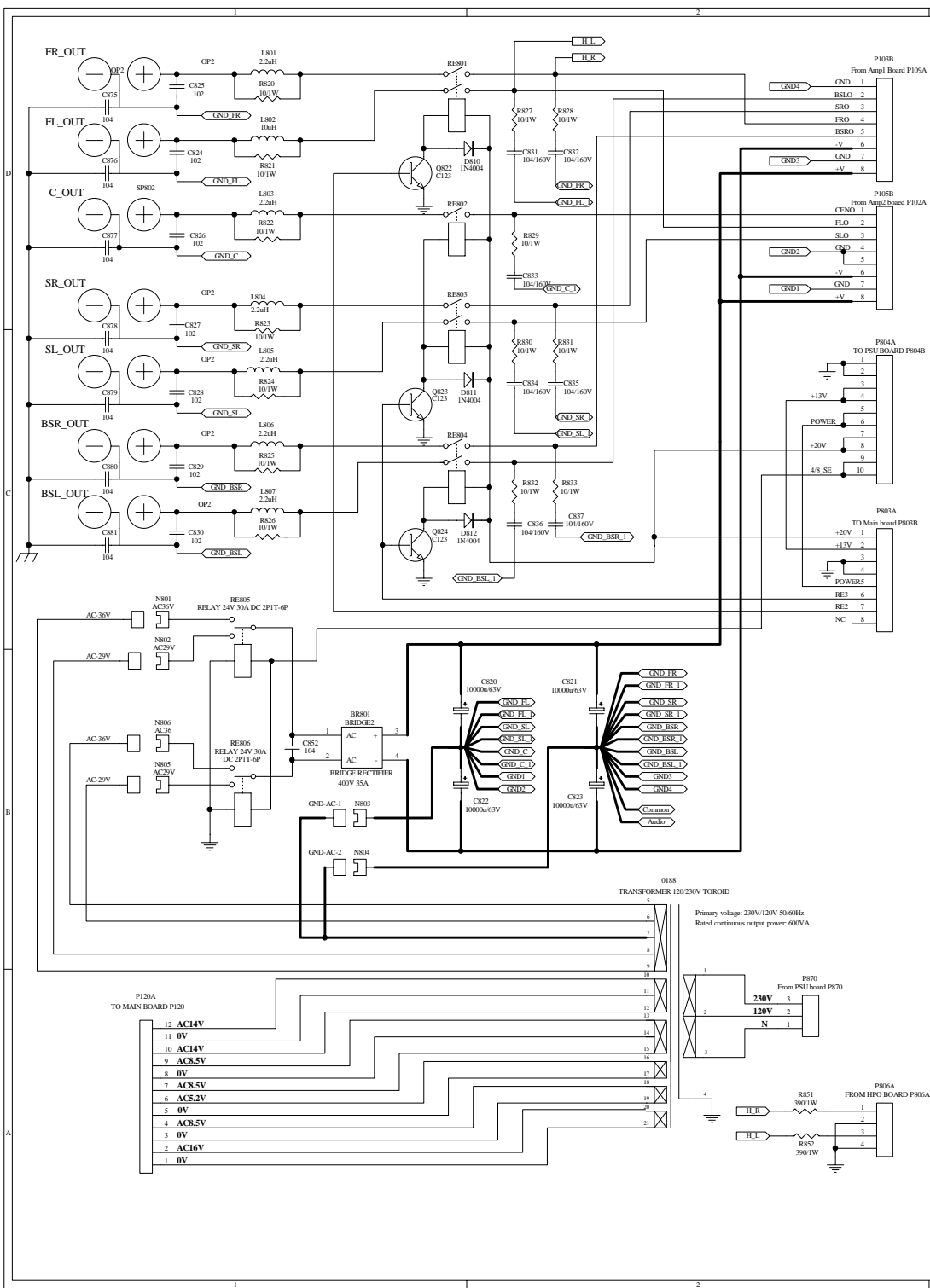
ARCAM Sound & Vision	
MODEL: AVR250	SHEET 9 OF 13
MAIN BOARD SCH	ISSUE: A
DWN.BY: XiaoXie	DATE: 11/JUN/2004
APP.BY:	DATE:



ARCAM Sound & Vision	
MODEL: AVR250	SHEET 10 OF 13
AMP2 SCH	ISSUE: A
DWN.BY: Xiao Xie	DATE:11/Jun/2004
APP.BY:	DATE:



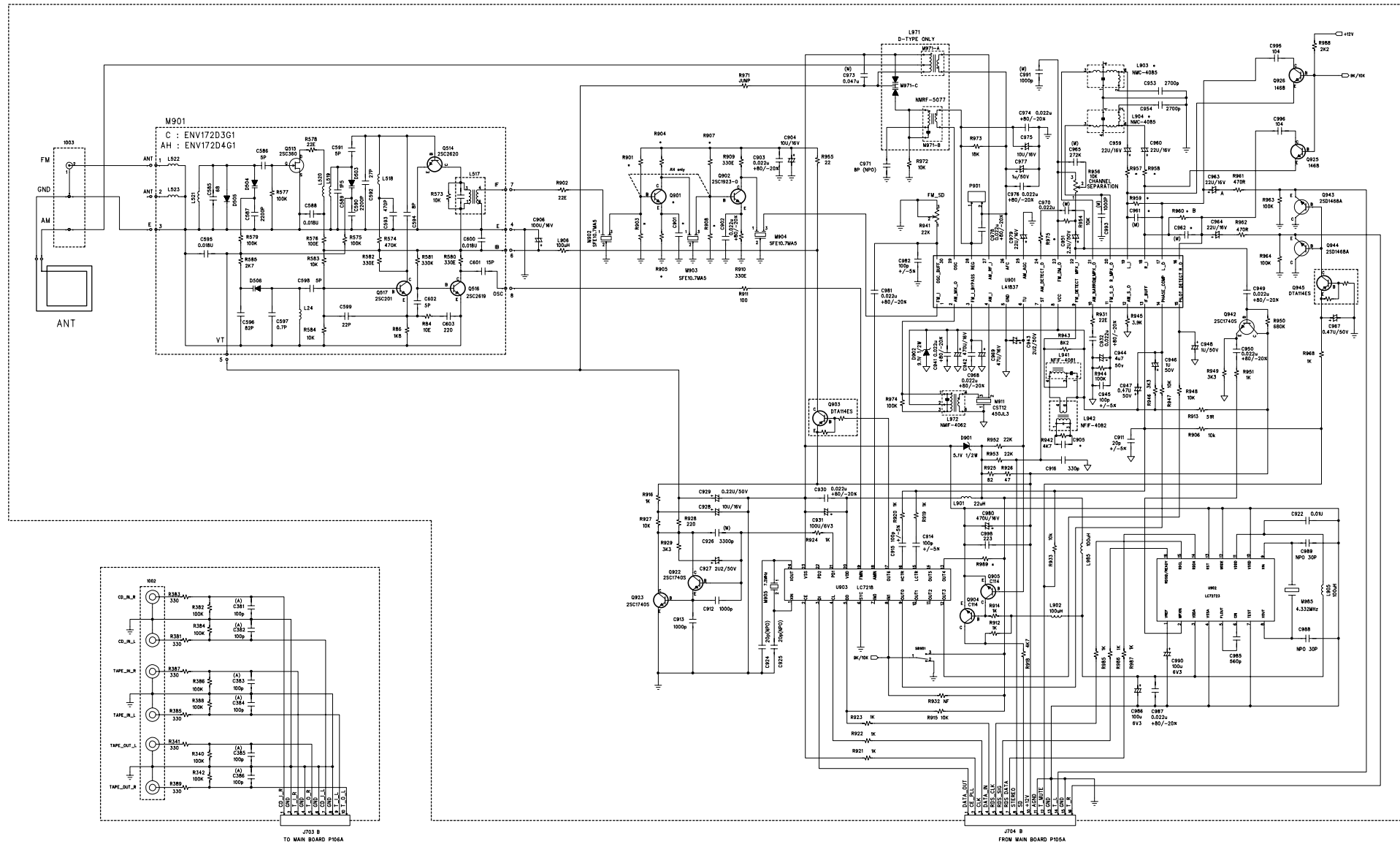
ARCAM Sound & Vision	
MODEL: AVR250	SHEET 11 OF 13
AMP1 SCH	ISSUE: A
DWN.BY: Xiao Xie	DATE:11/Jun/2004
APP.BY:	DATE:



ARCAM Sound & Vision.	
MODEL: AVR250	SHEET 12 OF 13
P_MAIN&PSU SCH	ISSUE: A
DWN.BY: Xiao Xie	DATE: 11/JUN/2004
APP.BY:	DATE:

NOTE: The component marked with can't be changed.

REVISION RECORD		
LTR	ECO NO.	APPROVED/DATE



ISSUE	DESCRIPTION	DATE	APPL. BY	DATE

ARCAM Sound & Vision.

TITLE: Schematic Diagram
TOWER SECTION

ORIGINAL COPY MODEL: AV2350
PART NO: 1725-6948-0000
SCH FILE: TUN_A_SCH
JOB FILE: - TUN0A JOB

© GPE INTERNATIONAL LTD. SHEET 13 OF 13 ISSUE A