

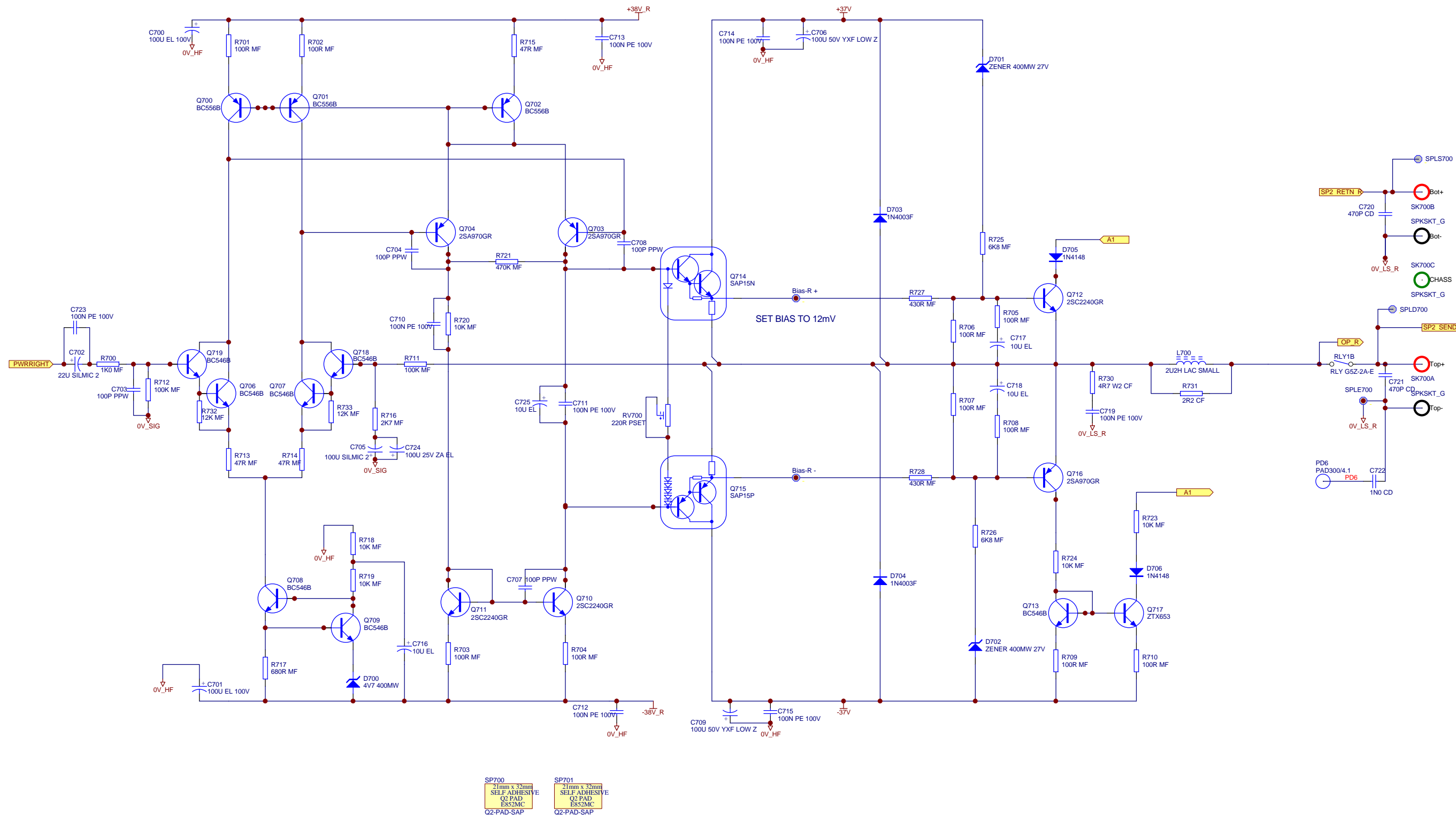
DO NOT USE THE FOLLOWING NUMBERS AS LINKS - THE DESIGNATORS ARE ALREADY USED ON OTHER PARTS OF THIS CCT!
 LK100, LK101, LK102, LK103, LK104, LK168, LK170, LK171, LK172, LK173, LK174, LK175, LK176, LK177, LK200, LK239



WARNING SAFETY CRITICAL COMPONENT
 REPLACE WITH IDENTICAL PART

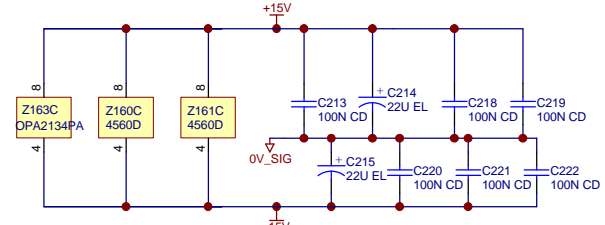
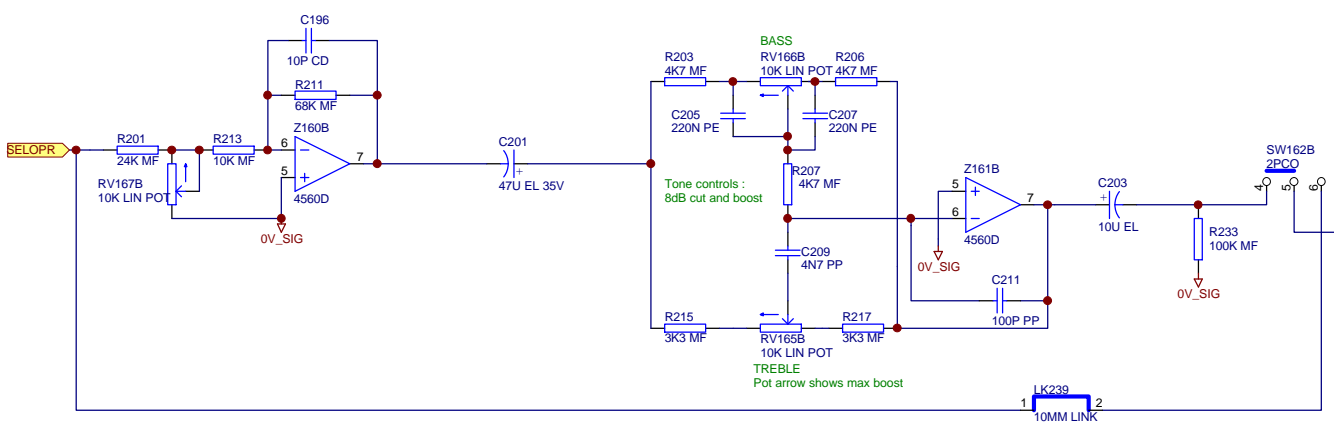
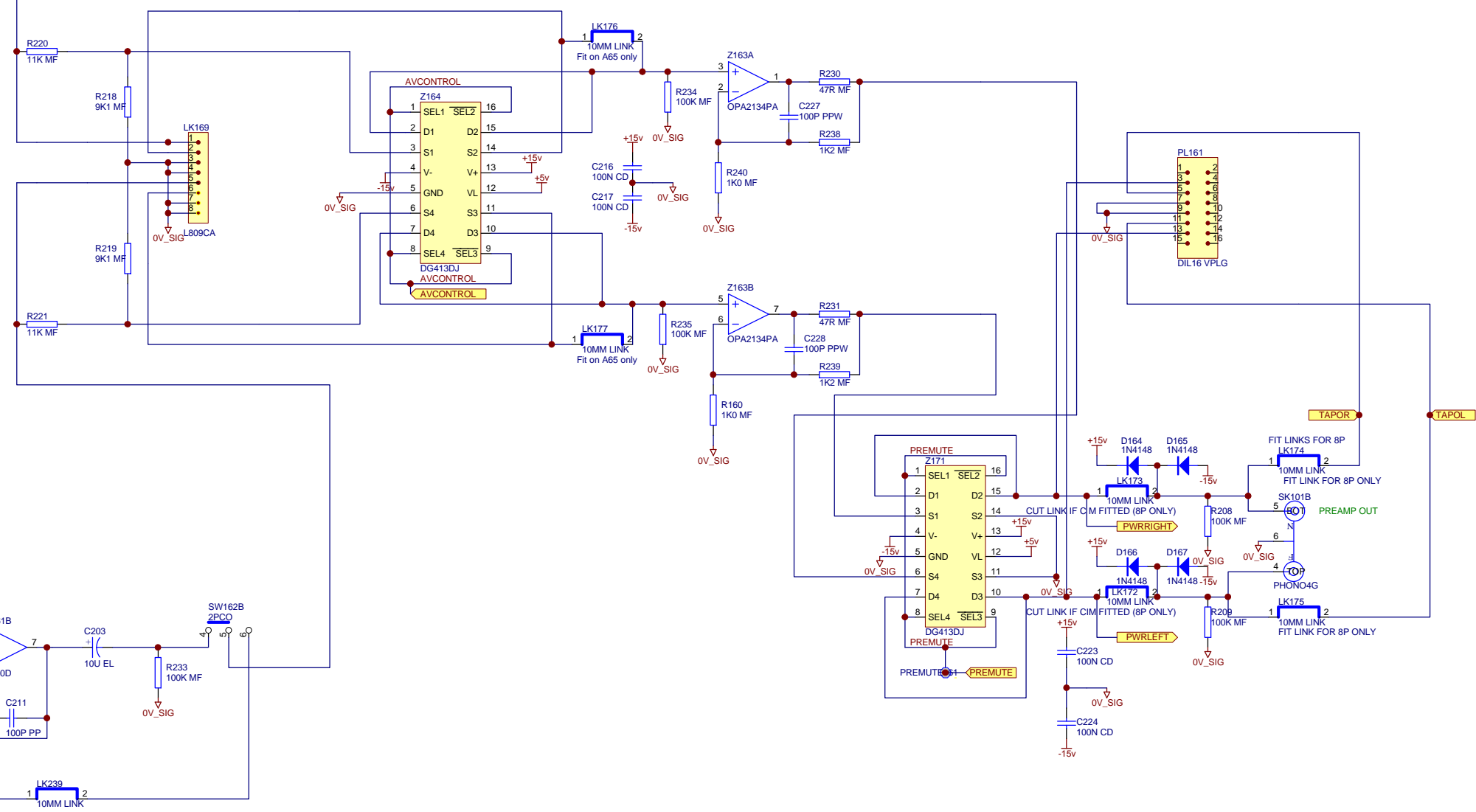
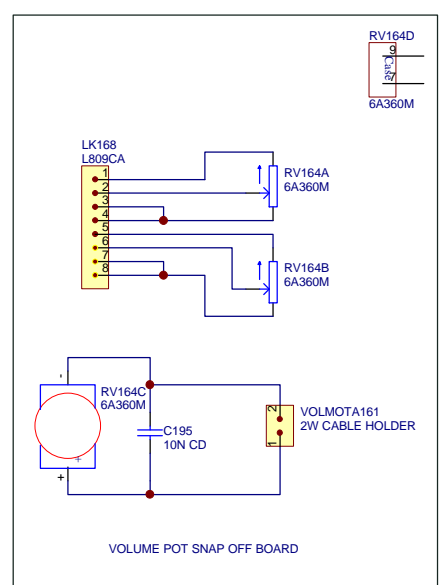
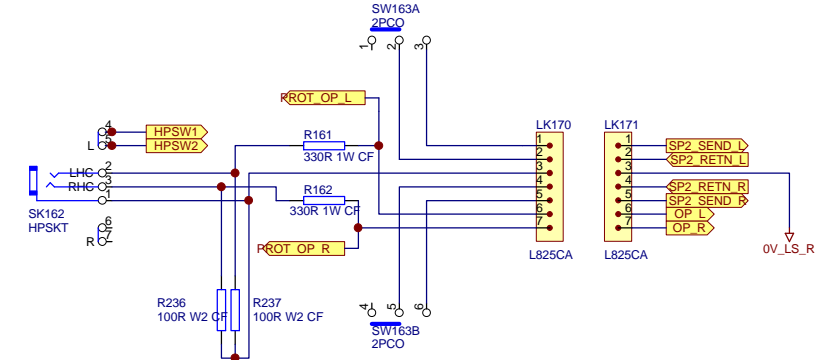
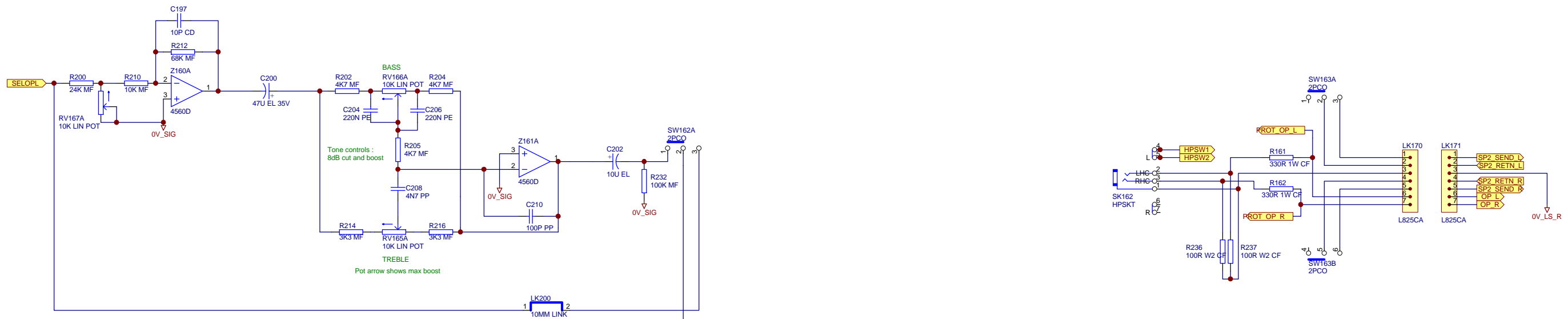
USE EXCLUDE NF TO CREATE RUN OUT SHEET FOR A75
 USE EXCLUDE A65 TO CREATE RUN OUT SHEET FOR A65

DRAWING TITLE									
A75 PLUS AMP									
ARCAM		Filename: L940C2 1.0.SCH							
A & R Cambridge Ltd. Pembroke Avenue Waterbeach Cambridge CB5 9PB		Notes: POWER SUPPLY							
Contact Engineer: Travis Pierce		Contact Tel: (01223) 203 200		Printed: 11 Dec 2001		Sheet 2 of 7		DRAWING NO. L940C2	
		Date: 12/12/01		Description of Change: PRODUCTION RELEASE		Issue: 1.0			



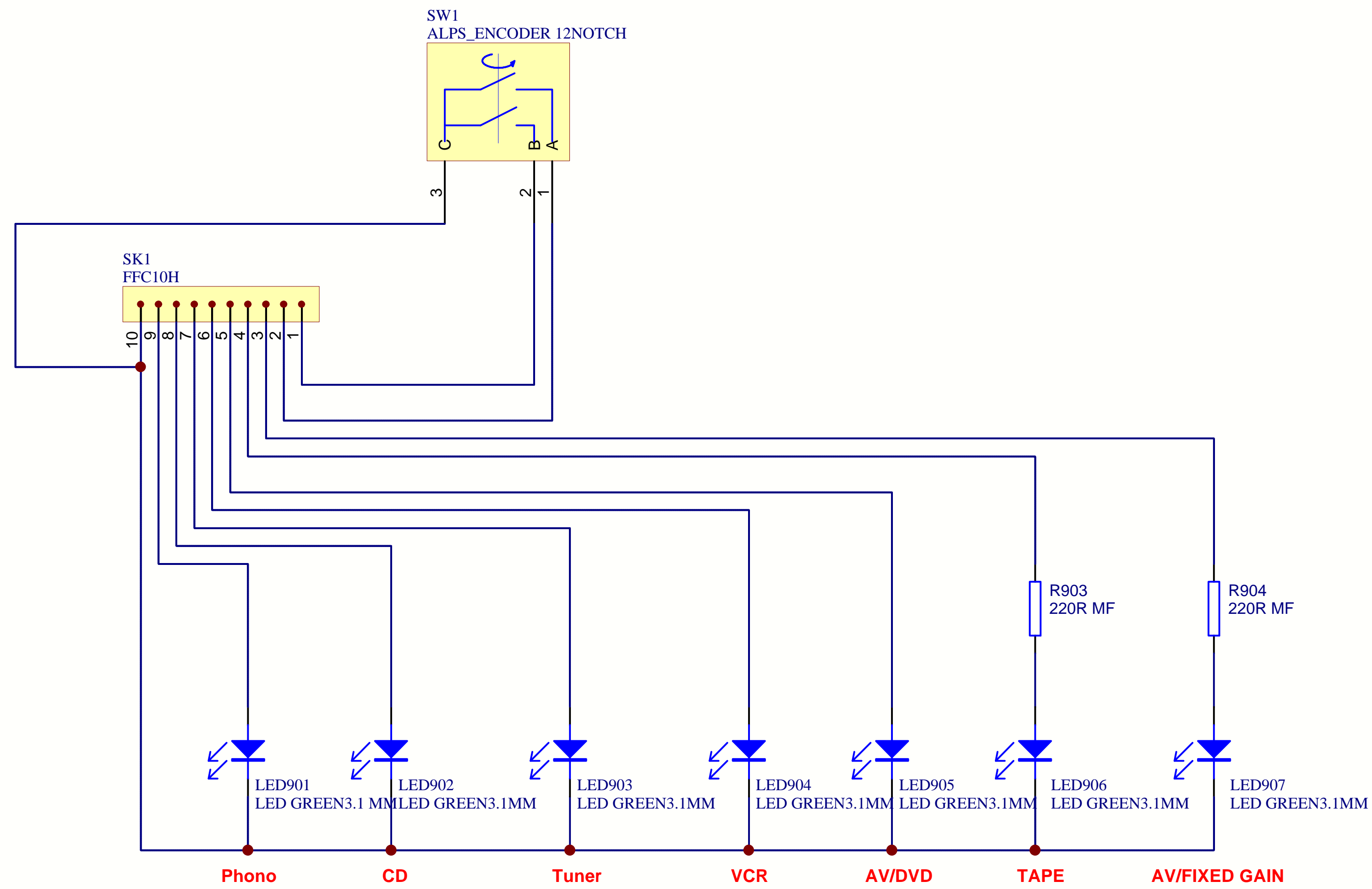
USE EXCLUDE NF TO CREATE RUN OUT SHEET FOR A75
USE EXCLUDE A65 TO CREATE RUN OUT SHEET FOR A65

DRAWING TITLE		A75 PLUS AMP					
ARCAM		Filename:	L940C6 1.0.SCH				
A & R Cambridge Ltd. Pembroke Avenue Waterbeach Cambridge CB5 9PB		Notes:	Right Channel Power Amplifier				
01_E020	TGP	12/12/01	PRODUCTION RELEASE				1.0
ECO No.	INITIALS	DATE	DESCRIPTION OF CHANGE				ISSUE
		11 Dec 2001	Sheet 6 of 7				DRAWING NO. L940C6
Contact Engineer:	Travis Pierce	Contact Tel:	(01223) 203 200	Printed:	11 Dec 2001	Sheet	6 of 7



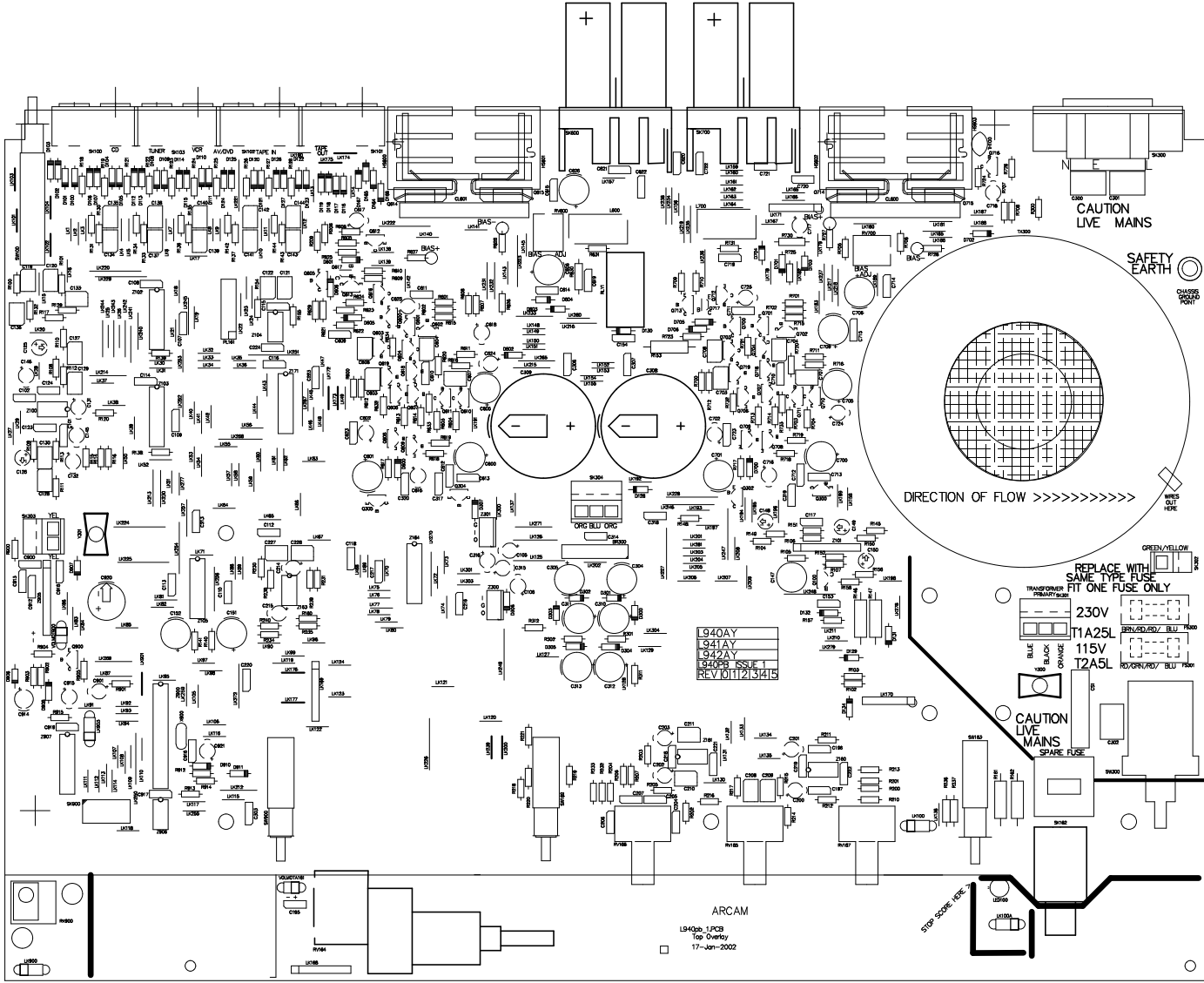
USE EXCLUDE NF TO CREATE RUN OUT SHEET FOR A75
 USE EXCLUDE A65 TO CREATE RUN OUT SHEET FOR A65

DRAWING TITLE		A75 PLUS AMP	
ARCAM		Filename:	L940C4 1.0.SCH
Notes:		Pre-amp Out, Tone & Headphone	
01_E020	TGP	12/12/01	PRODUCTION RELEASE
ECO No.	INITIALS	DATE	DESCRIPTION OF CHANGE
Contact Engineer:	Travis Pierce	Contact Tel:	(01223) 203 200
Printed:	11 Dec 2001	Sheet	4 of 7
DRAWING NO.			L940C4



PCB
PCB
 L885PB_1

DRAWING TITLE		ECO No.	INITIALS	DATE	DESCRIPTION OF CHANGE	ISSUE
DISPLAY PCB FOR A75 AMP		N/A	CL	31-08-00	PRODUCTION RELEASE	1
Circuit Diagram Notes: A & R Cambridge Ltd. Pembroke Avenue Denny Industrial Centre Waterbeach Cambridge CB5 9PB		N/A	ES	31-07-00	CORRECTED TO MATCH MAIN PCB	C
		N/A	ES	14-06-00	ADD FLEXFOIL CONNECTORS AND CHANGE ENCODER	B
		N/A	WAF	27-3-00	FIRST PROTOTYPE	A
Filename	Date Printed	Drawn by:		Sheet 1 of 1		DRAWING NO. L885C1_A
J:\PROJECTS\A75\lctt & pcb\issue b wip\L885PB\L885pb.ddb - ISSUE 1	12-Sep-2000	ES				



CAUTION
LIVE MAINS

SAFETY
EARTH

CHASSIS
GROUND

DIRECTION OF FLOW >>>>>>>>

REPLACE WITH
SAME TYPE FUSE
FIT ONE FUSE ONLY

230V

115V

T2A5L

G40AY
G41AY
G42AY
G408 ISSUE 1
REV 01123415

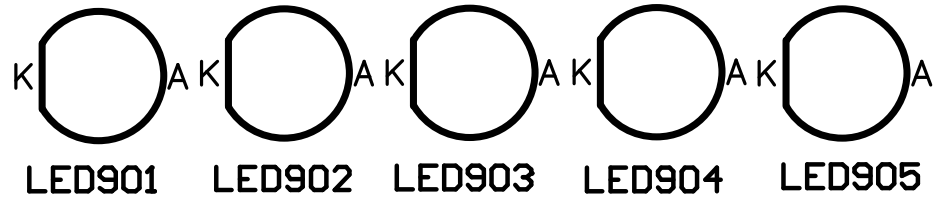
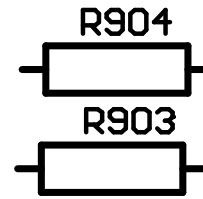
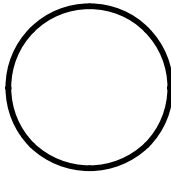
CAUTION
LIVE
MAINS
SPARE FUSE

ARCAM

L94qbo_1.PCB
Top Overlay
17-Jan-2002

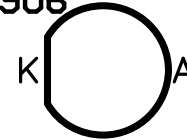
STOP SCALE HERE

L885AY
L885PB_1
REV 1 2 3 4 5

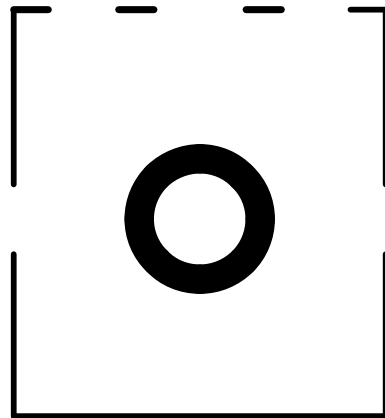
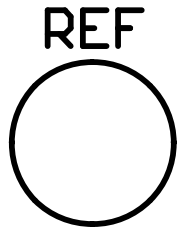


SK1

LED906

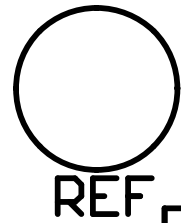


LED907

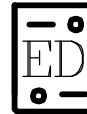


SW1

ARCAM
A65/75



REF



DISPLAY