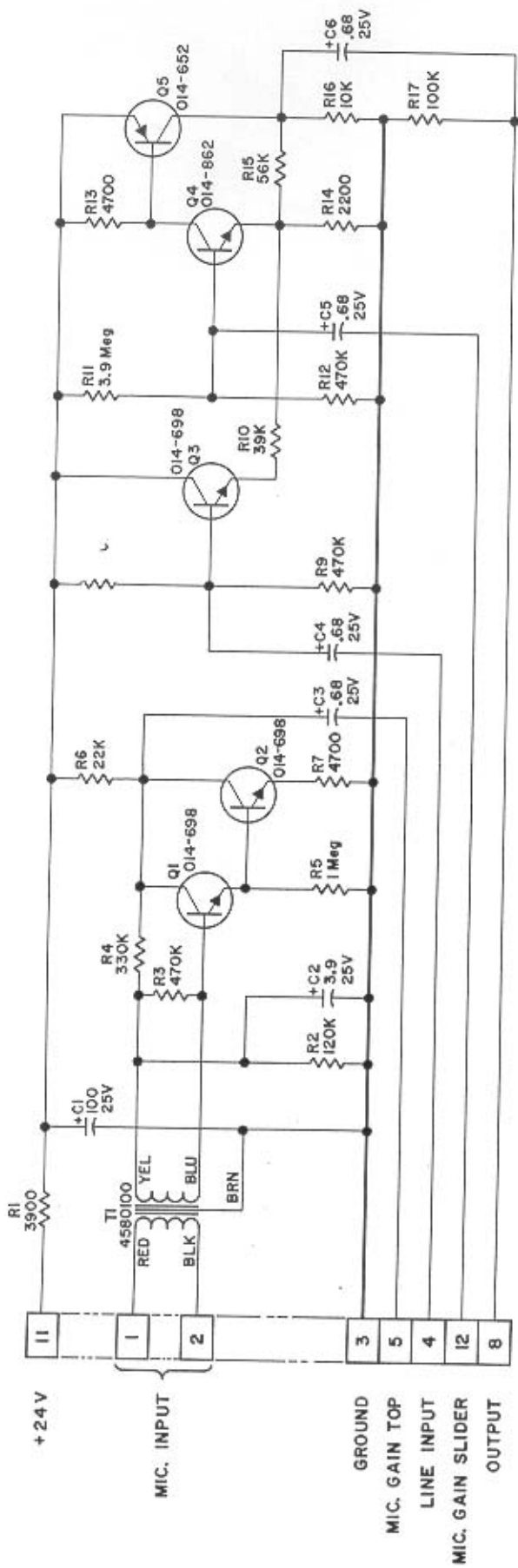
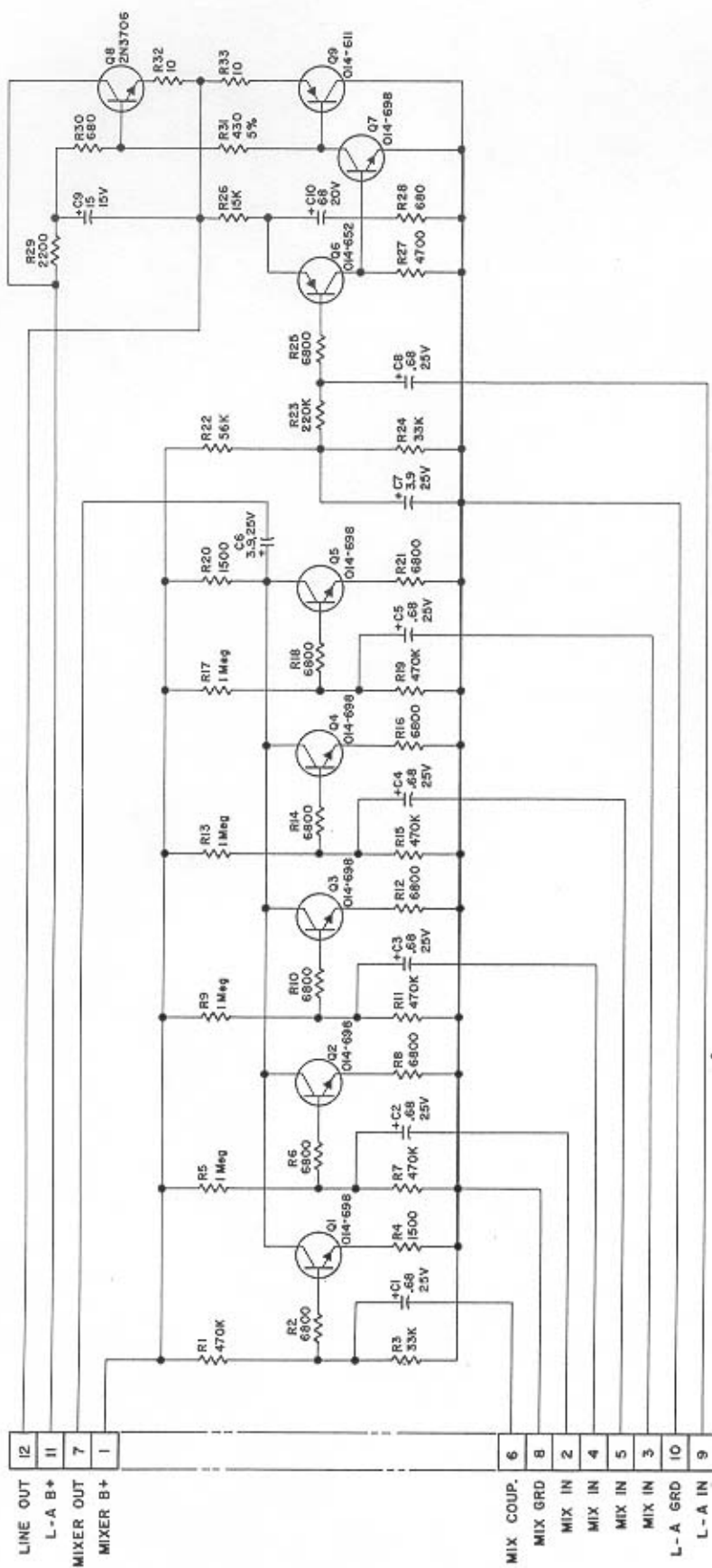


- NOTES: UNLESS OTHERWISE SPECIFIED
1. ALL RESISTOR VALUES ARE IN OHMS, 1/2W, 10%.
 2. ALL CAPACITOR VALUES ARE IN MICROFARADS, AT INDICATED VOLTAGE.
 3. ALL DIODES ARE TYPE 013-678.

Fig. 7. Schematic Diagram, Mixer, Sheet 1

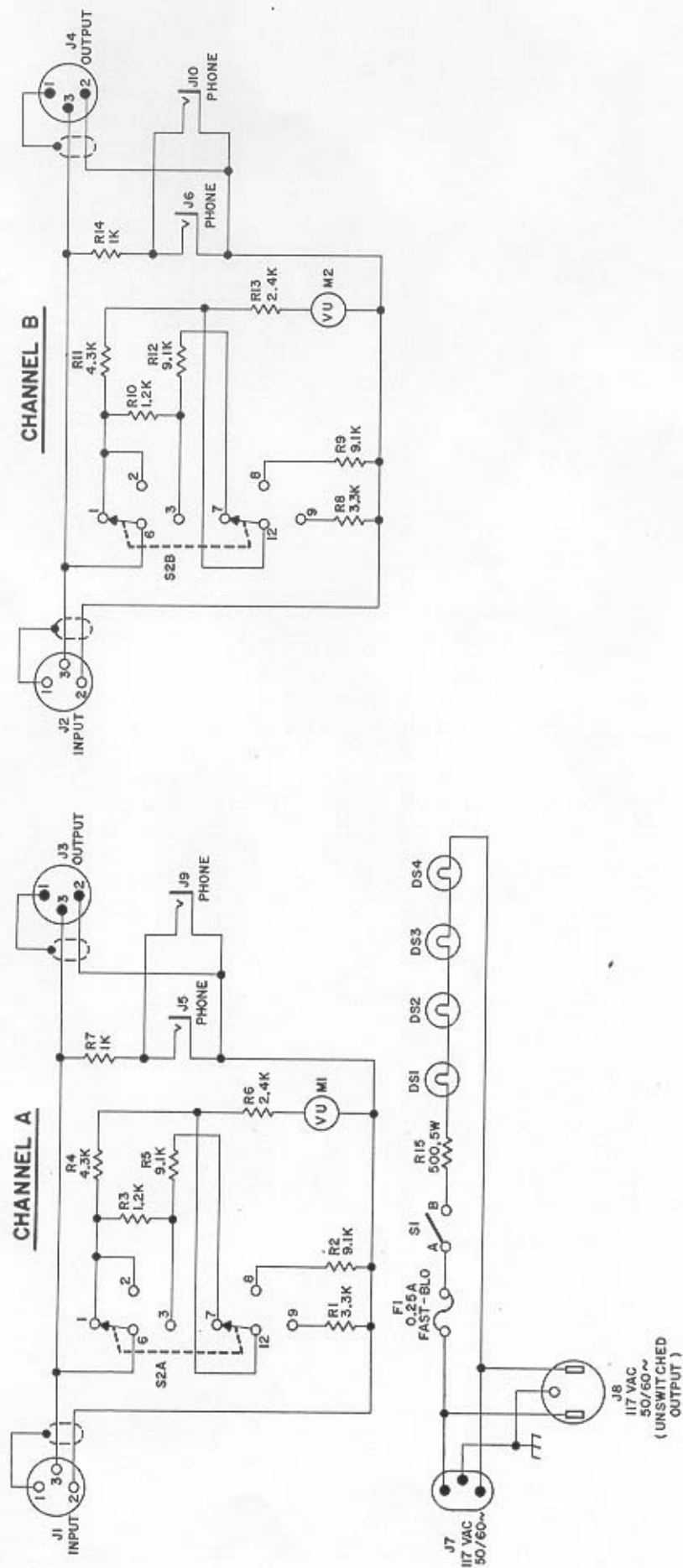


MICROPHONE PREAMP PRINTED WIRING BOARD



MIXER & LINE AMP
PRINTED WIRING BOARD

Fig. 8. Schematic Diagram, Mixer, Sheet 2



NOTES: UNLESS OTHERWISE SPECIFIED

1. ALL RESISTOR VALUES ARE IN OHMS, 1/2W, 5%.

Fig. 10. Schematic Diagram, Meter Panel

1.3 SPECIFICATIONS

<u>Inputs</u>	Four microphone inputs and two high level line inputs.
<u>Input Impedance</u>	Microphone: 200 ohms, non-terminating. Line: 100,000 ohms unbalanced. With accessory transformers (refer to paragraph 1.2.1) can be 20,000 ohms balanced bridging or 600 ohms balanced matching.
<u>Outputs</u>	Two, 600 ohm.
<u>Gain</u>	Microphone: At least 75 db. Line: At least 20 db.
<u>Noise</u> (Output reference level +4 dbm)	Microphone: Less than -60 dbm. Line: Less than -70 dbm. Equivalent input noise level: -122 dbm.
<u>Frequency Response</u>	Microphone: ± 1 db, 30 to 20,000 Hz. Line: +0, -1 db, 30 to 20,000 Hz.
<u>Distortion</u>	Microphone: With an input level of -30 db (25 millivolts) and the input level control adjusted for a +12 dbm (3 volt) output, the total harmonic distortion is less than 1%. Line: With an input level of 15 dbm (4.4 volts) and the input level control adjusted for a +12 dbm (3 volt) output, the total harmonic distortion is less than 1%.
<u>Crosstalk Rejection</u>	65 db at 500 Hz. Better than 40 db from 20 to 20,000 Hz.
<u>Power Consumption</u>	Domestic: 105-125 volts, 50 or 60 Hz, 0.1 ampere. International: 115 volts, 50 or 60 Hz, 0.1 ampere. 230 volts, 50 or 60 Hz, 0.03 ampere
<u>Output Clipping Level</u>	The line amplifier will provide an output of at least 24 dbm, from 50 to 10,000 Hz, before clipping.