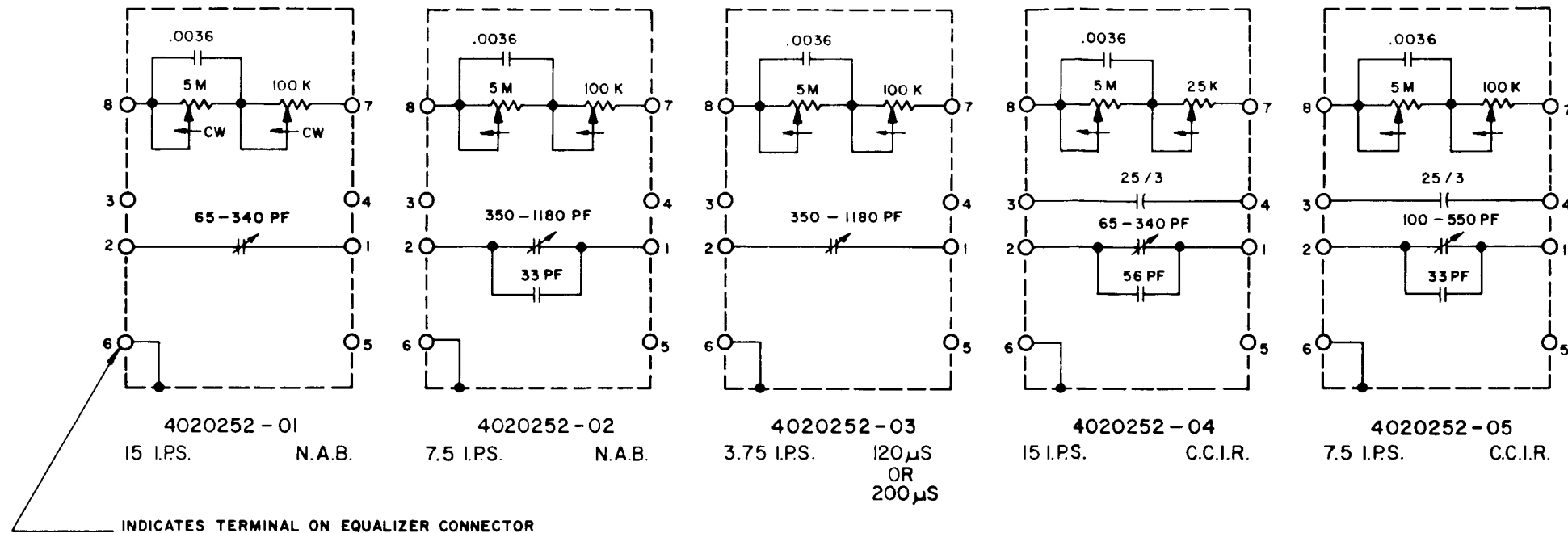


Ampex AG-300

Fig. 7-3 Schematic Diagram, Record/Reproduce Electronics, Sheet 1 of 3





NOTES -

1. ALL RESISTORS IN OHMS , 1/2 W , 10% , UNLESS OTHERWISE SPECIFIED .
2. ALL CAPACITORS IN MFD , UNLESS OTHERWISE SPECIFIED .
3. COMPONENT LOCATION IS INDICATED BY FIRST DIGIT OF SCHEMATIC REFERENCE NUMBER :
  - 1 - PRINTED CIRCUIT BOARD
  - 2 - FRONT PANEL
  - 3 - LEFT PANEL (WHEN FACING FRONT)
  - 4 - BACK PANEL
  - 5 - RIGHT PANEL
  - 6 - POWER SUPPLY
4. INDICATES TERMINAL ON P.C. BOARD .
5. INDICATES D.C. VOLTAGE TO GROUND , MEASURED WITH A 20,000 Ω / V METER
6. INDICATES SIGNAL VOLTAGE TO GROUND OR OTHER LINE AS INDICATED AT 500 CPS WITH 7.5 I.P.S. N.A.B. EQUALIZER IN USE . 60 CPS VOLTAGES MEASURED WITH A 5000 Ω / V METER .

Ampex AG-300

Fig. 7-5 Schematic Diagram, Record/Reproduce Electronics, Sheet 3 of 3