

Typical Installation of Fan Kit

### INSTALLATION INSTRUCTIONS

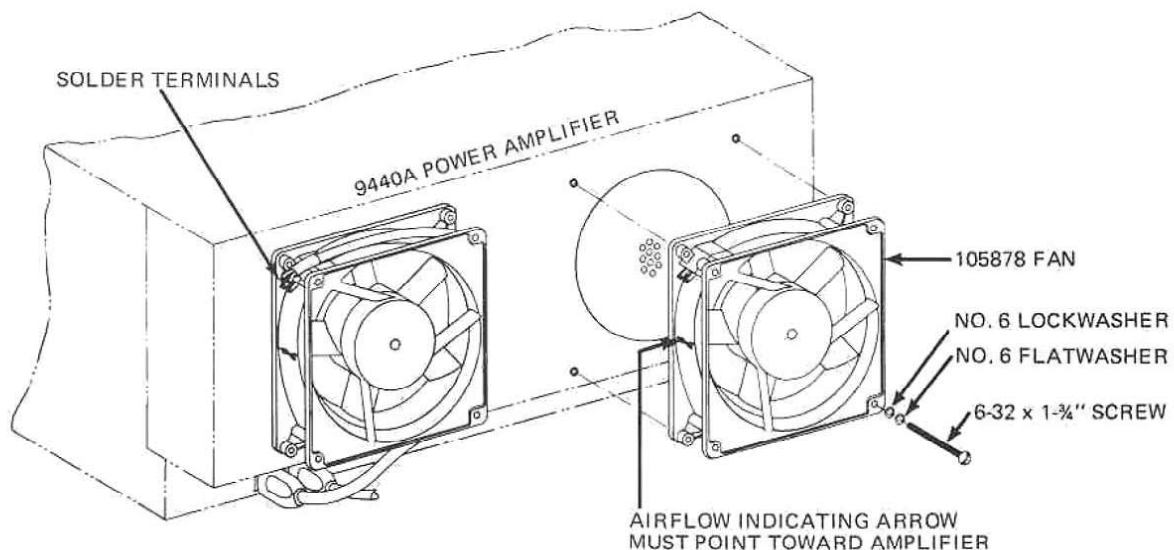
The ALTEC 9440A Fan Kit, Model 105878, provides supplementary cooling for ALTEC 9440A Power Amplifiers which are used continuously at high output. To install the fan kit properly, proceed as follows:

1. Install each fan on rear of 9440A Power Amplifier as shown in assembly diagram. **INSTALL FAN WITH AIRFLOW ARROW ON FAN POINTING**

TOWARD AMPLIFIER HEAT SINK (AIR FLOWS INTO AMPLIFIER). Secure each fan with screws, flat washers and lockwashers.

2. Cut power cords to proper length for each fan. Check routing of cords from solder terminals of each fan to appropriate SWITCHED AC OUTLET on back of amplifier, to assure correct cord length.

3. Trim insulation from ends of cords. Strip ends of two wires for each cord, leaving approximately 1/4" bare wire.
4. Cut black heat-shrink tubing into four pieces of approximately 1/2" each in length. Slip heat-shrink sections over two wires of each power cord.
5. Solder wires of each power cord to terminals of appropriate fan (use care not to interchange power cord lengths).
6. Slide heat-shrink tubing over soldered connections to provide protective insulation; heat tubing with soldering iron to shrink insulation snugly around connections.
7. Plug power cords into appropriate SWITCHED AC OUTLETS of amplifier.
8. Periodic cleaning of heat sink enclosure is recommended to avoid accumulation of excess dirt and dust that would impede efficient heat transfer.



Assembly Diagram of Fan Kit

*Specifications and components subject to change without notice. Overall performance will be maintained or improved.*