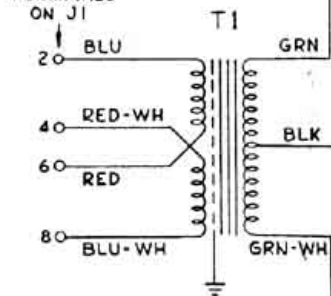


150 Ω  
600 Ω

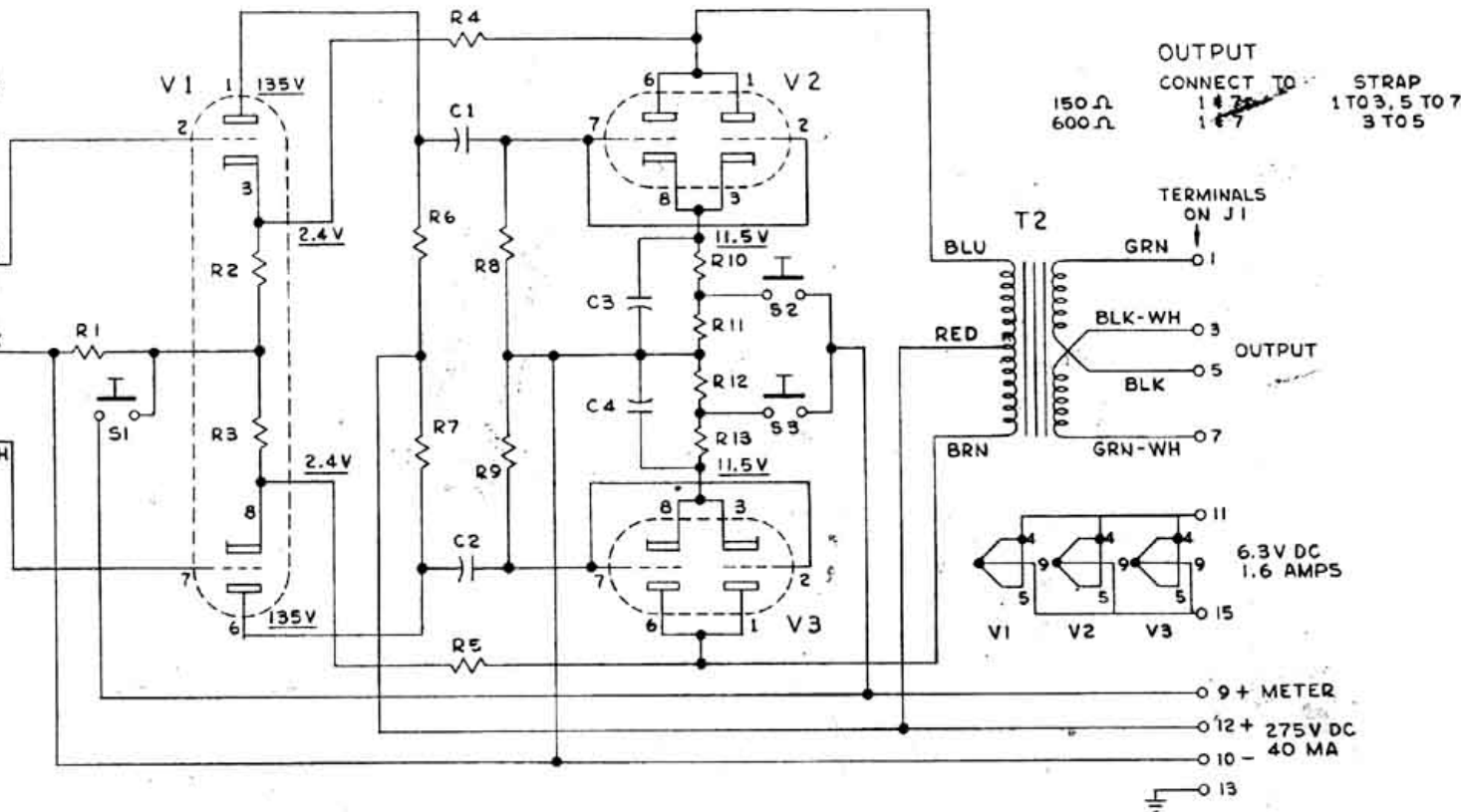
INPUT

CONNECT TO STRAP  
2 & 8 2 TO 4, 6 TO 8  
2 & 8 4 TO 6

TERMINALS ON J1



- T1 4745 TRANSFORMER
- T2 16543 "
- V1 6072 VACUUM TUBE
- V2-V3 12 BH 7 "
- R1 33 Ω 1/4 W 1% DC
- R2-R3 1000 Ω 1 W 1%
- R4-R5 180,000 Ω 1/2 W 1% DC
- R6-R7 180,000 Ω 1/2 W 1% DC
- R8-R9 470,000 Ω 1/2 W 1% AB
- R10-R13 600 Ω 1 W 1%
- R11-R12 7.5 Ω 1 W 3%
- C1-C2 .022 MFD 400V
- C3-C4 25 MFD 15V
- S1-S2-S3 GRAYHILL 30-1
- J1 AMPHENOL 126-151



ALTEC LANSING  
459A AMPLIFIER

FIRST MADE FOR

TOLERANCES EXCEPT AS NOTED: FRACT. ± 1/64" DEC. ± .008" HOLE SIZES 0 TO 1/8" ± .001 OVER 1/8" ± .008 ANGULAR ± 1/2°

ISSUE	APP'D	DATE	CHANGE
1		4-25-60	

**ALTEC**  
LANSING CORPORATION

ANAHEIM, CALIFORNIA

459A AMPLIFIER  
SCHEMATIC

DR. BY FLG 7030

ALC 93