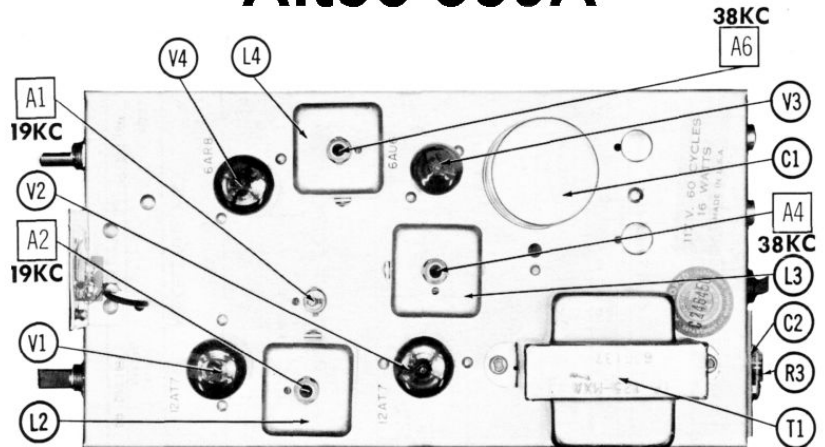
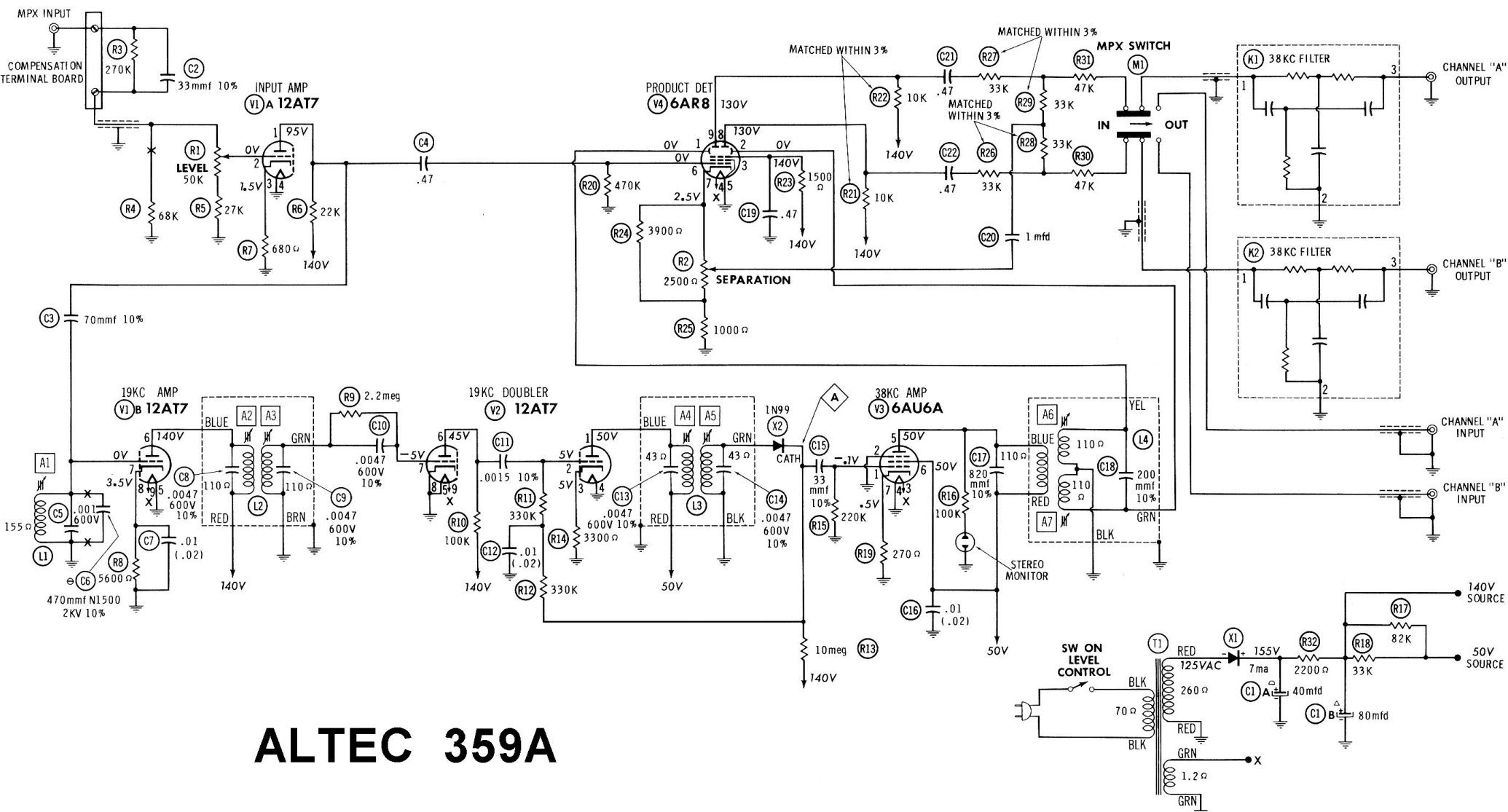




F.M. Stereo Multiplex Adapter Altec 359A



MULTIPLEX ALIGNMENT USING FM STEREO GENERATOR			
SIGNAL GENERATOR	CONNECT SCOPE	ADJUST	REMARKS
1. 19KC to Multiplex Input.	Vert. amp. to Pin 7 of V1, low side to chassis.	A1	Adjust for maximum deflection.
2. "	Vert. amp. to pin 7 of V2, low side to chassis.	A2, A3	"
3. "	Vert. amp. to point Δ low side to chassis.	A4, A5	"
4. "	Vert. amp. to pin 1 of V4, low side to chassis.	A6	"
5. "	Vert. amp. to pin 2 of V4, low side to chassis.	A7	Adjust for maximum deflection. Retouch A6, A7 to obtain maximum equal deflection if necessary.



ALTEC 359A