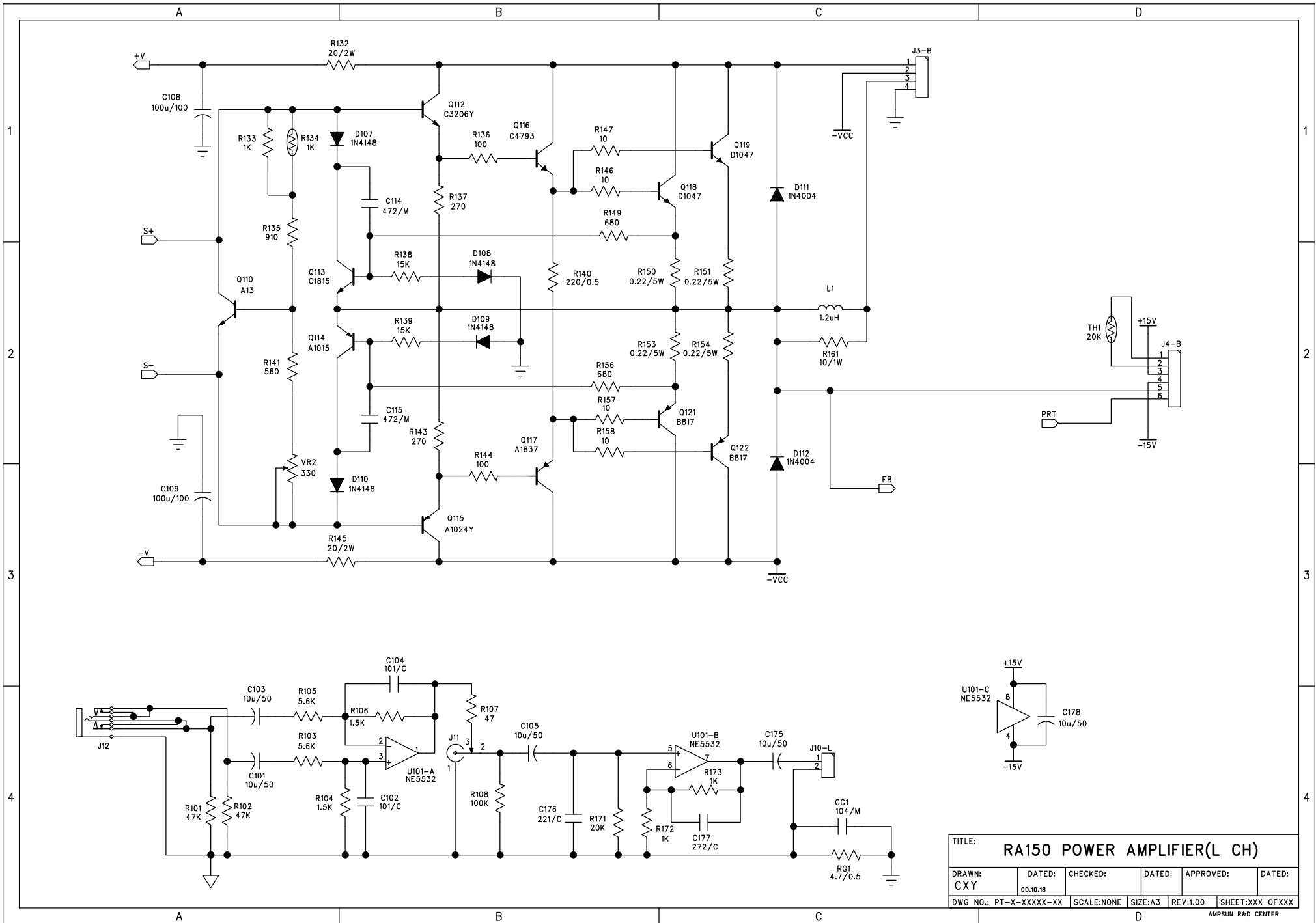
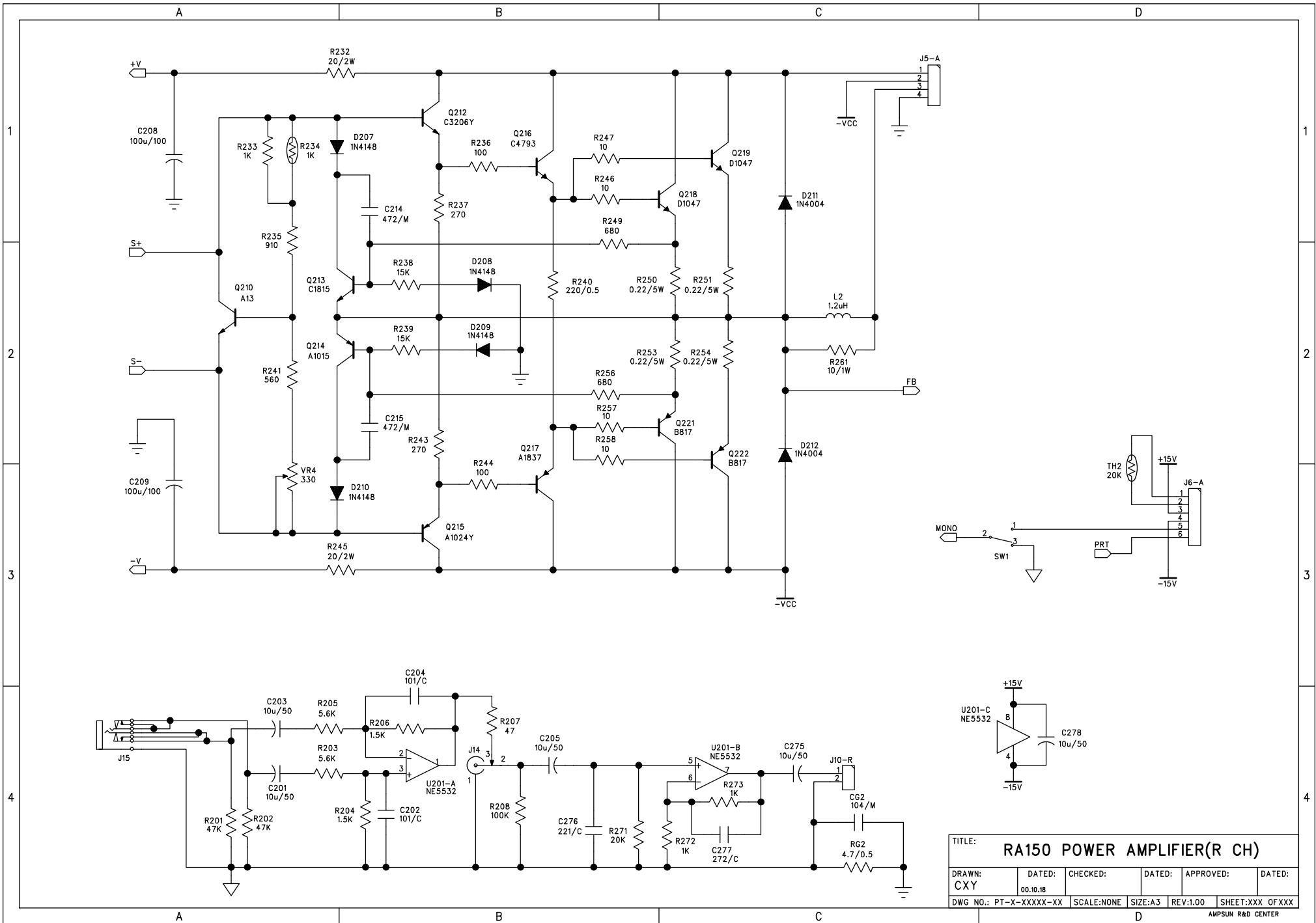


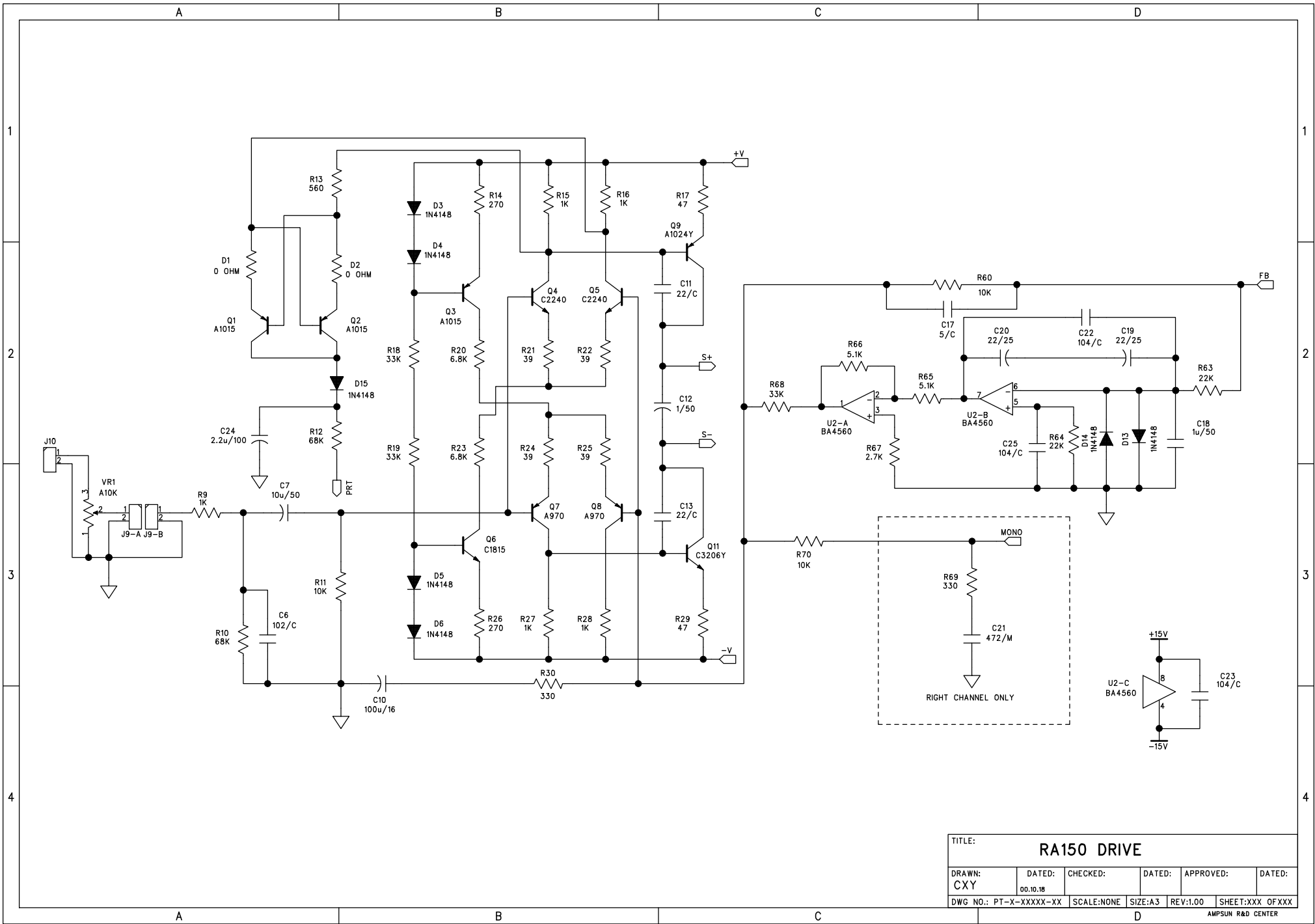
# SCHEMATIC AND PCB FILES



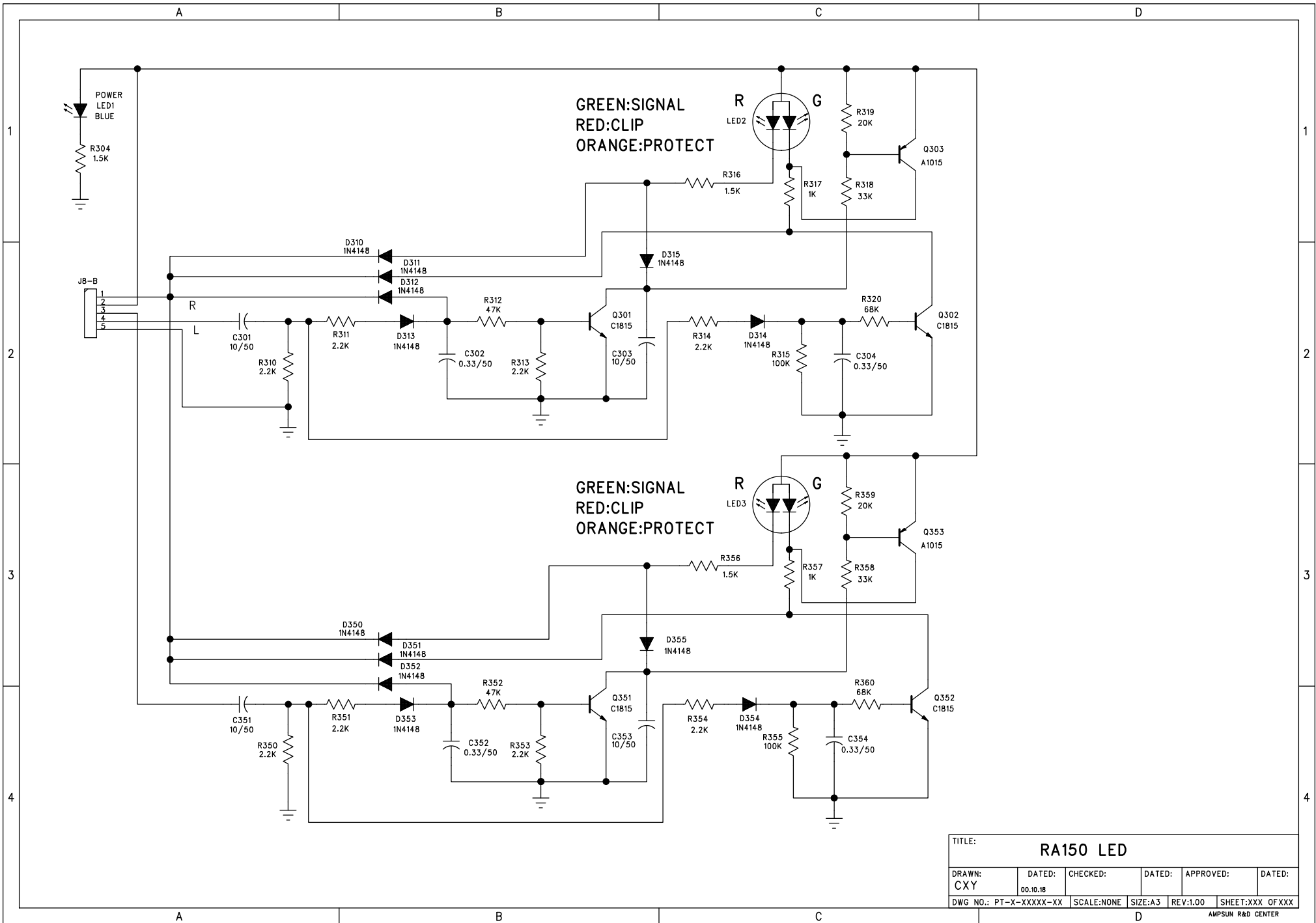
|                                    |                 |          |           |                   |        |
|------------------------------------|-----------------|----------|-----------|-------------------|--------|
| TITLE: RA150 POWER AMPLIFIER(L CH) |                 |          |           |                   |        |
| DRAWN: CXY                         | DATED: 00.10.18 | CHECKED: | DATED:    | APPROVED:         | DATED: |
| DWG NO.: PT-X-XXXX-XX              | SCALE: NONE     | SIZE: A3 | REV: 1.00 | SHEET: XXX OF XXX |        |
| AMPSUN R&D CENTER                  |                 |          |           |                   |        |



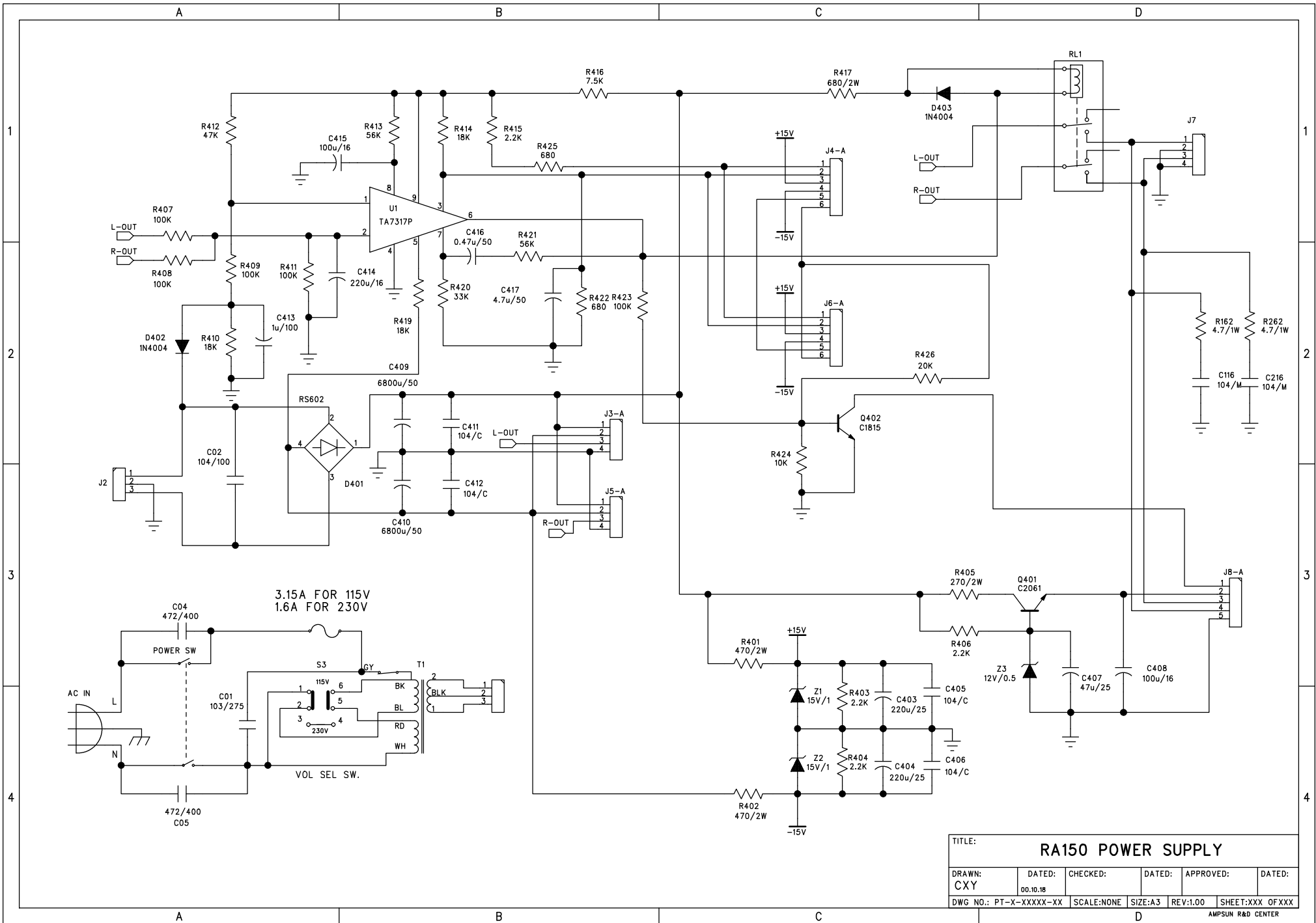
|                                    |                 |          |           |                   |        |
|------------------------------------|-----------------|----------|-----------|-------------------|--------|
| TITLE: RA150 POWER AMPLIFIER(R CH) |                 |          |           |                   |        |
| DRAWN: CXY                         | DATED: 00.10.18 | CHECKED: | DATED:    | APPROVED:         | DATED: |
| DWG NO.: PT-X-XXXXX-XX             | SCALE: NONE     | SIZE: A3 | REV: 1.00 | SHEET: XXX OF XXX |        |
| AMPSUN R&D CENTER                  |                 |          |           |                   |        |



|                       |                 |          |           |                   |        |
|-----------------------|-----------------|----------|-----------|-------------------|--------|
| TITLE: RA150 DRIVE    |                 |          |           |                   |        |
| DRAWN: CXY            | DATED: 00.10.18 | CHECKED: | DATED:    | APPROVED:         | DATED: |
| DWG NO.: PT-X-XXXX-XX | SCALE: NONE     | SIZE: A3 | REV: 1.00 | SHEET: XXX OF XXX |        |



|                       |                 |          |           |                   |        |
|-----------------------|-----------------|----------|-----------|-------------------|--------|
| TITLE: RA150 LED      |                 |          |           |                   |        |
| DRAWN: CXY            | DATED: 00.10.18 | CHECKED: | DATED:    | APPROVED:         | DATED: |
| DWG NO.: PT-X-XXXX-XX | SCALE: NONE     | SIZE: A3 | REV: 1.00 | SHEET: XXX OF XXX |        |
| AMPSUN R&D CENTER     |                 |          |           |                   |        |



|                           |                 |          |           |                   |        |
|---------------------------|-----------------|----------|-----------|-------------------|--------|
| TITLE: RA150 POWER SUPPLY |                 |          |           |                   |        |
| DRAWN: CXY                | DATED: 00.10.18 | CHECKED: | DATED:    | APPROVED:         | DATED: |
| DWG NO.: PT-X-XXXX-XX     | SCALE: NONE     | SIZE: A3 | REV: 1.00 | SHEET: XXX OF XXX |        |

6

5

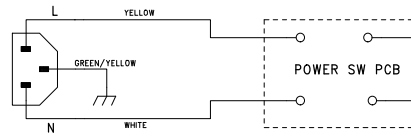
4

3

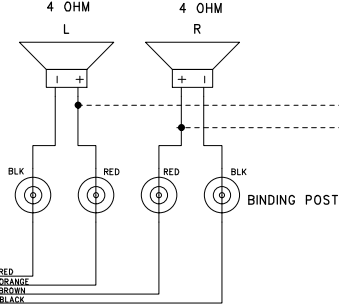
2

1

IEC CONNECTOR



STEREO



D

D

C

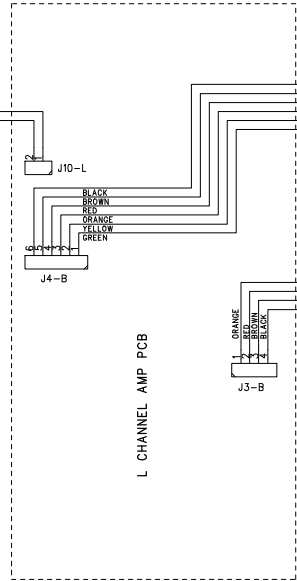
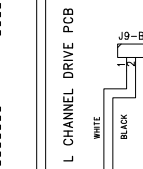
C

B

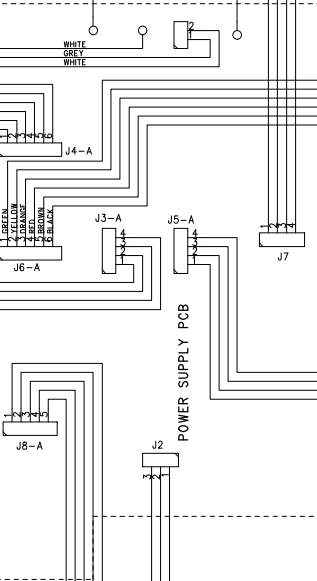
B

A

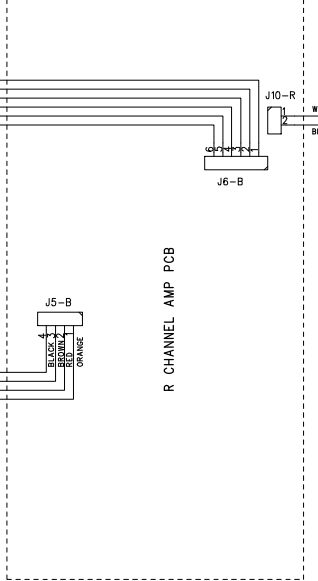
A



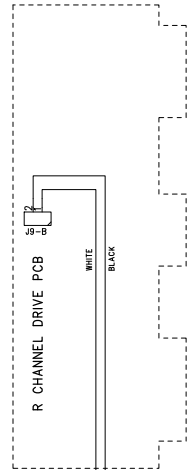
L CHANNEL AMP PCB



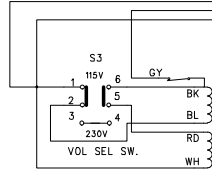
POWER SUPPLY PCB



R CHANNEL AMP PCB



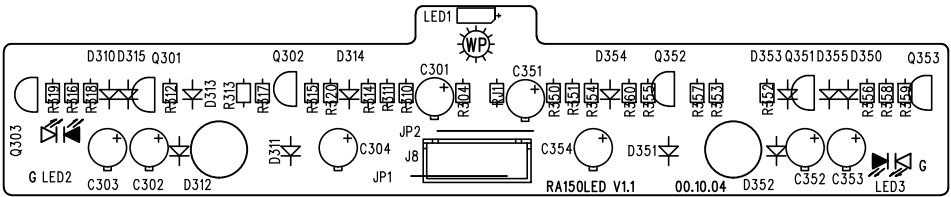
R CHANNEL DRIVE PCB



LED METER PCB



|                                     |                 |          |           |               |        |
|-------------------------------------|-----------------|----------|-----------|---------------|--------|
| COMPANY: HOMNI ENTERPRISES CO.,LTD. |                 |          |           |               |        |
| TITLE: RA150 WIRING DIGRAM          |                 |          |           |               |        |
| DRAWN: CXY                          | DATED: 00.12.02 | CHECKED: | DATED:    | APPROVED:     | DATED: |
| DWG NO: PT-X-XXXX-XX                | SCALE: NONE     | SIZE: A2 | REV: 1.00 | SHEET: X OF X |        |



HOMNI ENTERPRISES CO.,LTD  
 RA150LED V1.1 00.10.04  
 SILKSCREEN TOP SIDE



