

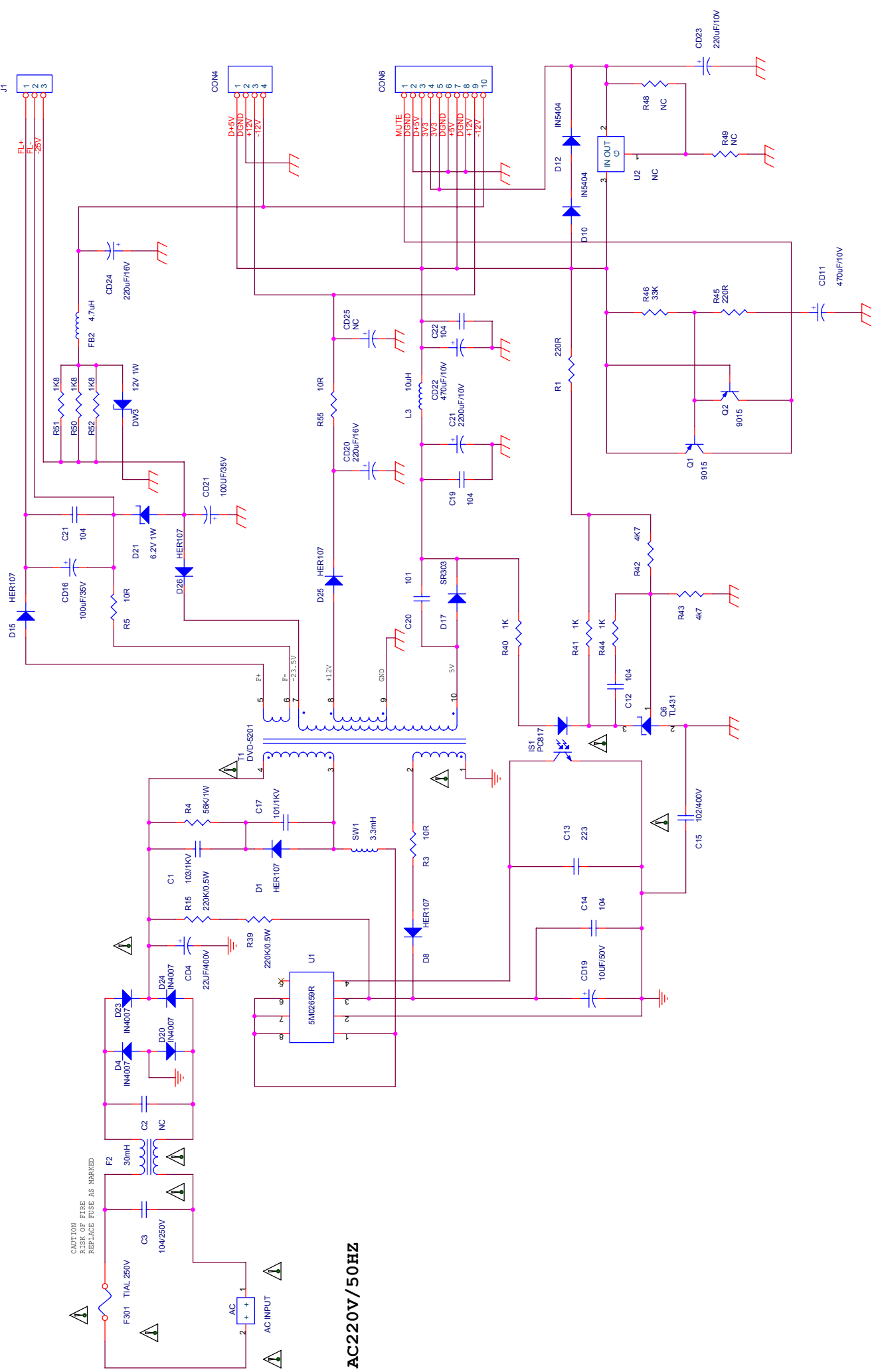


**AKAI**

**DVD PLAYER**

Model:  
A-4181

**SERVICE MANUAL**



**AC220V/50HZ**

CAUTION  
RISK OF FIRE  
REPLACE FUSE AS MARKED

# AKAI DV-P4795KDSM

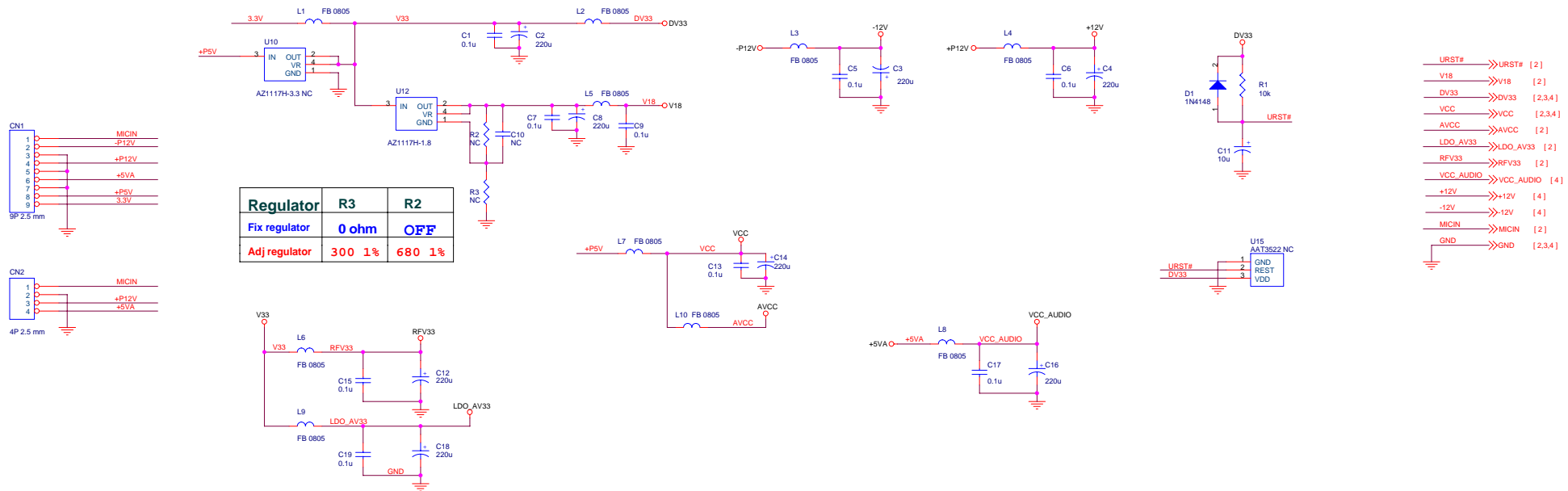
Title	Power Circuit Diagram
Size	A3
Document Number	
Date	Thursday, January 06, 2005
Sheet	1 of 1
Rev	2.01

MR89EM6-11.1

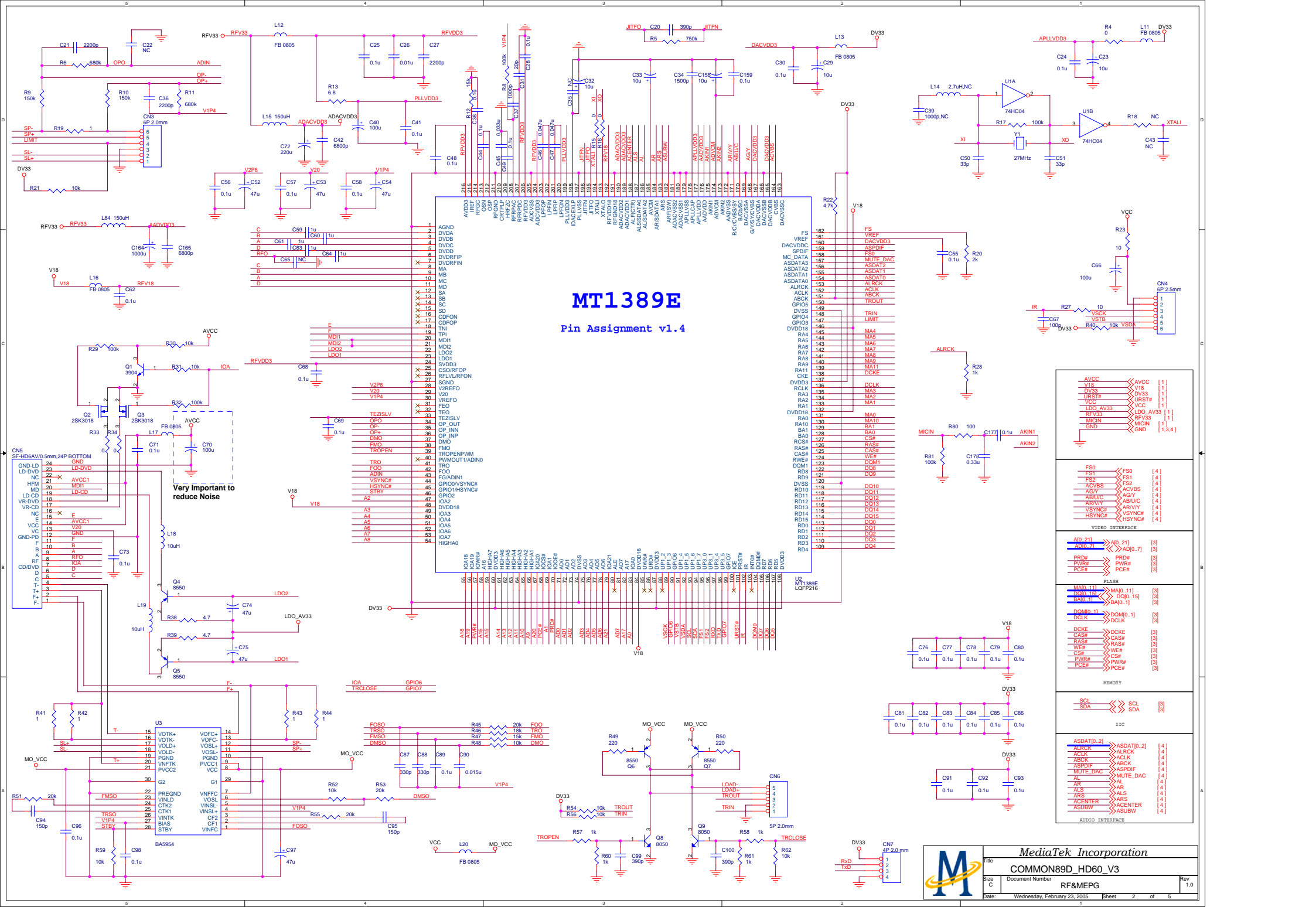
MT1389E DVD Demo Board for SANYO HD60 PUH

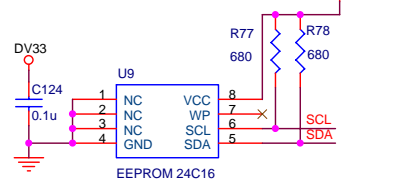
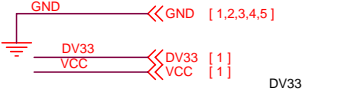
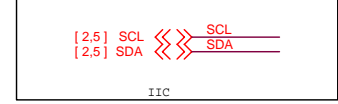
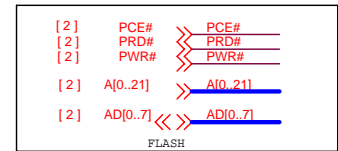
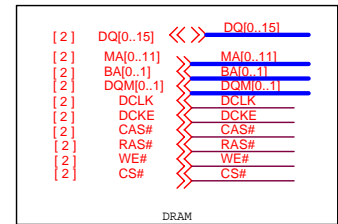
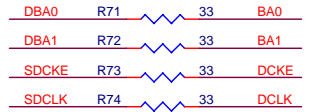
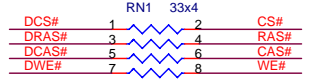
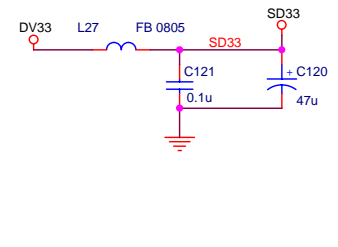
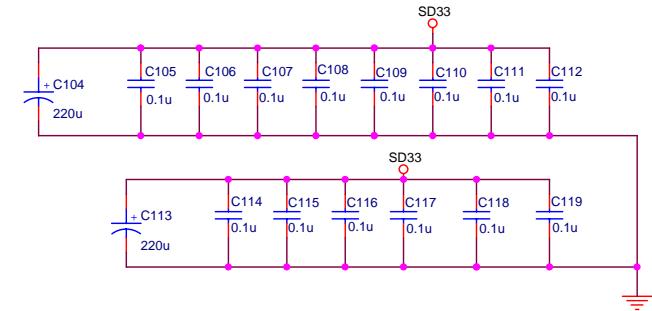
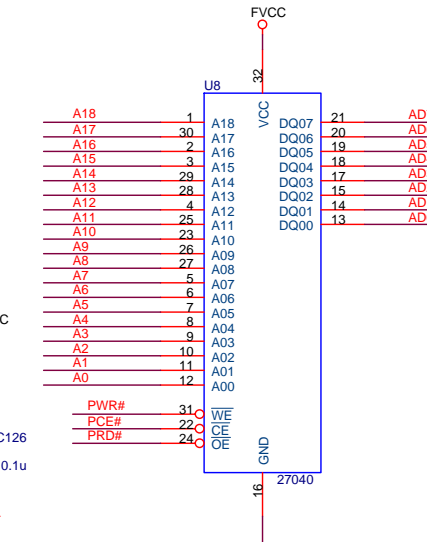
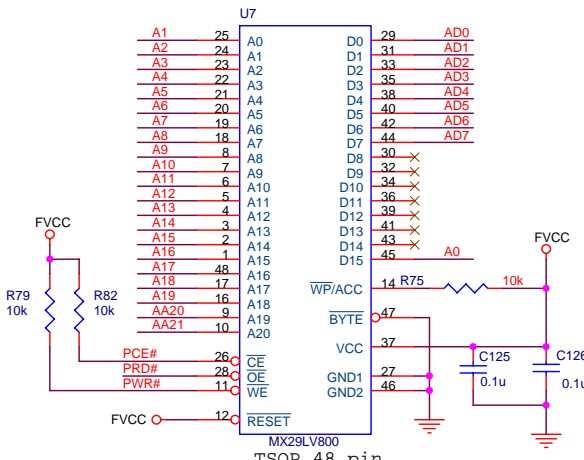
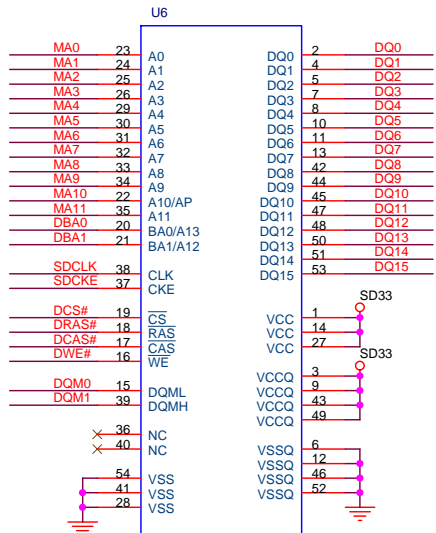
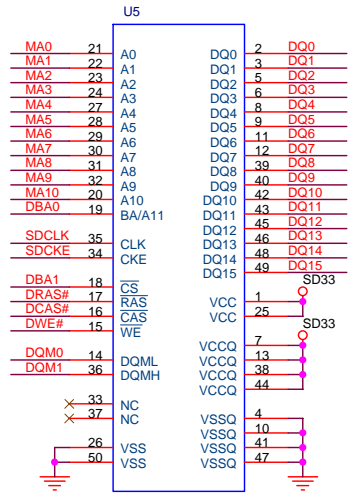
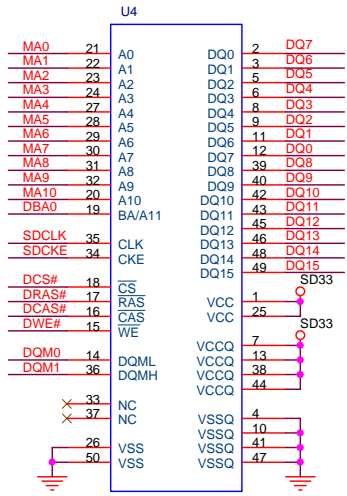
- |   |                              |
|---|------------------------------|
| 1 | INDEX & POWER, RESET         |
| 2 | RF / SERVO /MPEG - MT1389D   |
| 3 | MEMORY - SDRAM, FLASH/EEPROM |
| 4 | VIDEO FILTER                 |
| 5 | AUDIO FILTER                 |

NAME	TYPE	DEVICE
VCC	Digital 5V	SUPPLY
DV33	Digital 3.3V	MT1389E
RFV33	Servo 3.3V	MT1389E
LDO_AV33	Laser Diode 3.3V	
AVCC	RF 5V	PICKUP HEADER
V18	Digital 1.8V	MT1389E
SD33	Digital 3.3V	SDRAM
+12V	Audio +12V	OP AMP.
-12V	Audio -12V	OP AMP.
AVDD	Audio 5V	Audio DAC
DVDD	Audio 5V	Audio DAC



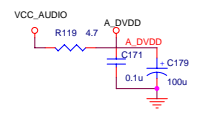
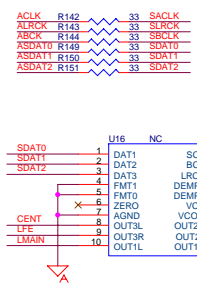
- URST# >>> URST# [ 2 ]
- V18 >>> V18 [ 2 ]
- DV33 >>> DV33 [ 2,3,4 ]
- VCC >>> VCC [ 2,3,4 ]
- AVCC >>> AVCC [ 2 ]
- LDO\_AV33 >>> LDO\_AV33 [ 2 ]
- RFV33 >>> RFV33 [ 2 ]
- VCC\_AUDIO >>> VCC\_AUDIO [ 4 ]
- +12V >>> +12V [ 4 ]
- 12V >>> -12V [ 4 ]
- MICIN >>> MICIN [ 2 ]
- GND >>> GND [ 2,3,4 ]





		<b>MediaTek Incorporation</b>	
		Title <b>COMMON89D_HD60_V3</b>	
Size	Document Number	SDRAM&FLASH	
B			
Date:	Monday, February 28, 2005	Sheet	3 of 5
			Rev 1.0

- [1] -12V >> -12V
- [1] +12V >> +12V
- [1] VCC >> VCC
- [1] VCC\_AUDIO >> VCC\_AUDIO
- [1,2,3,4] GND >> GND
  
- [2] ASDAT[0..2] >> ASDAT[0..2]
- [2] ACLK >> ACLK
- [2] ABCK >> ABCK
- [2] ALRCK >> ALRCK
- [2] MUTE\_DAC >> MUTE\_DAC
- [2] ASPDIF >> ASPDIF
- [2] AL >> AL
- [2] AR >> AR
- [2] ALS >> ALS
- [2] ARS >> ARS
- [2] ACENTER >> ACENTER
- [2] ASUBW >> ASUBW
- [2] ACVBS >> ACVBS
- [2] AGY >> AGY
- [2] ABUC >> ABUC
- [2] ARVY >> ARVY
- [2] VSYNC# >> VSYNC#
- [2] HSYNC# >> HSYNC#
- [2] FS0 >> FS0
- [2] FS1 >> FS1
- [2] FS2 >> FS2



- AR R192 0 RMAIN
- AL R193 0 LMAIN
- ARS R194 0 RREAR
- ALS R195 0 LREAR
- ASUBW R196 0 LFE
- ACENTER R197 0 CENT

