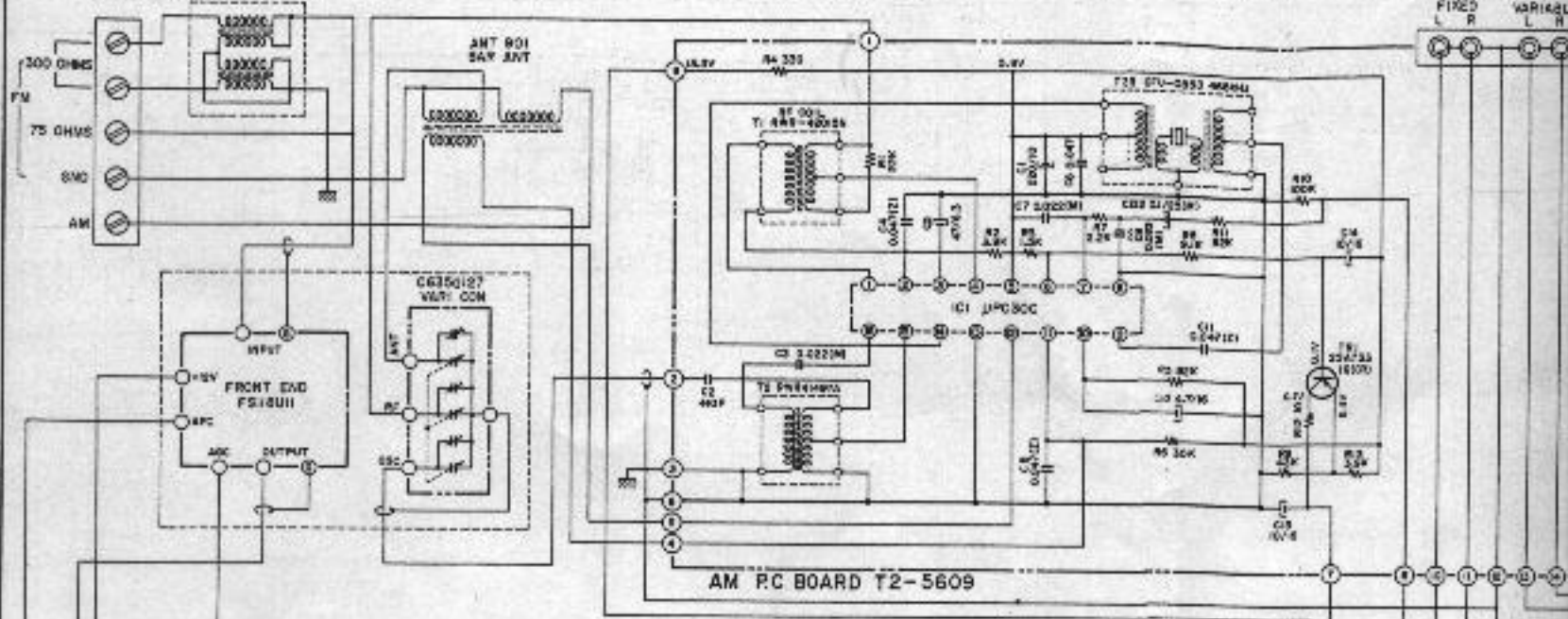
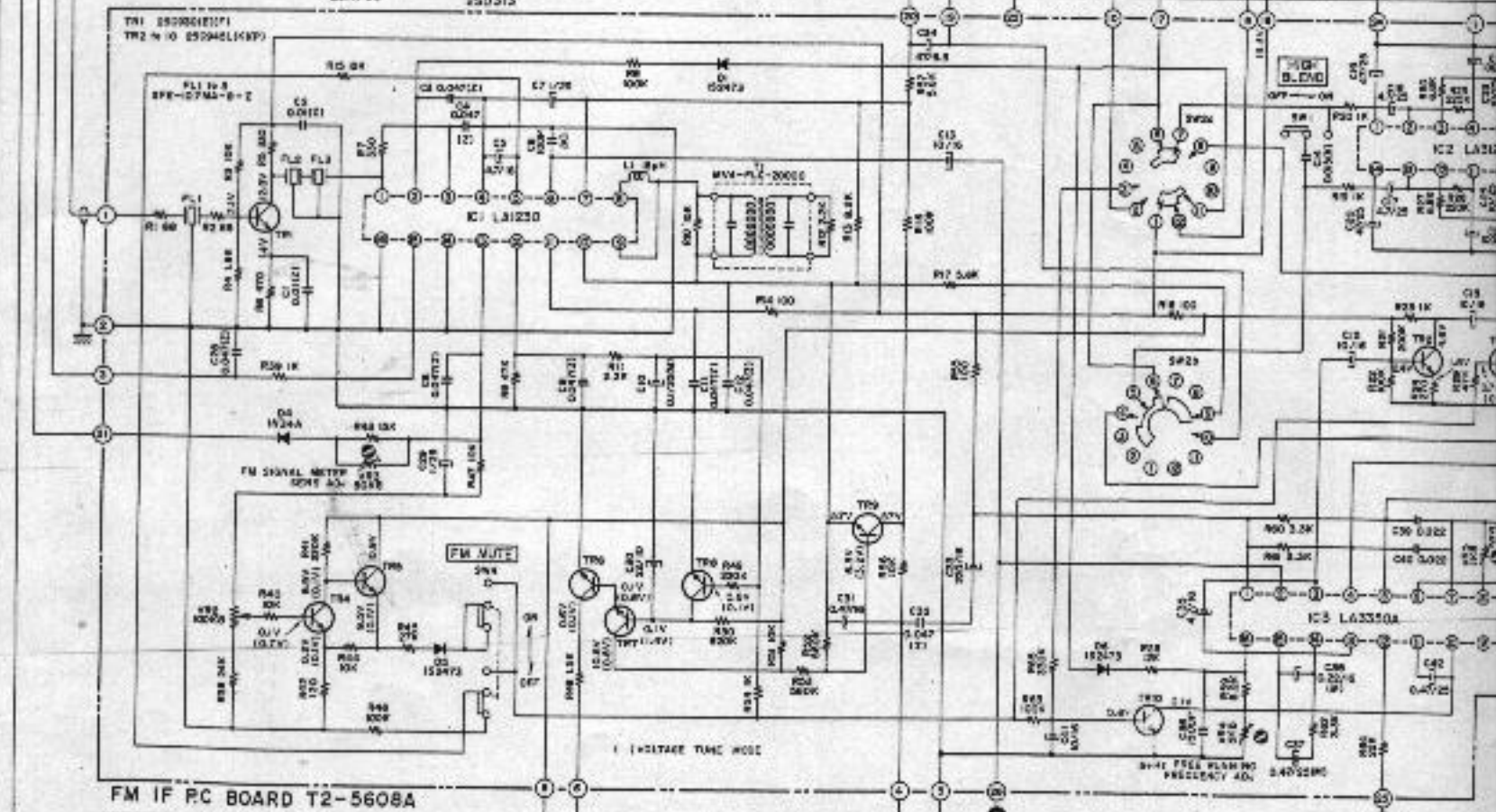
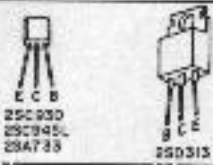


AT-2600

T2  
75 OHMS - 300 OHMS



AM PC BOARD T2-5609



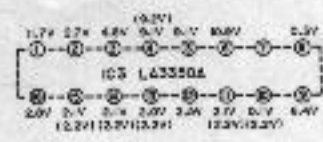
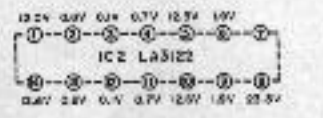
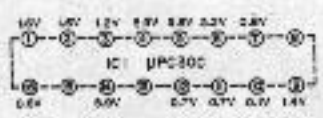
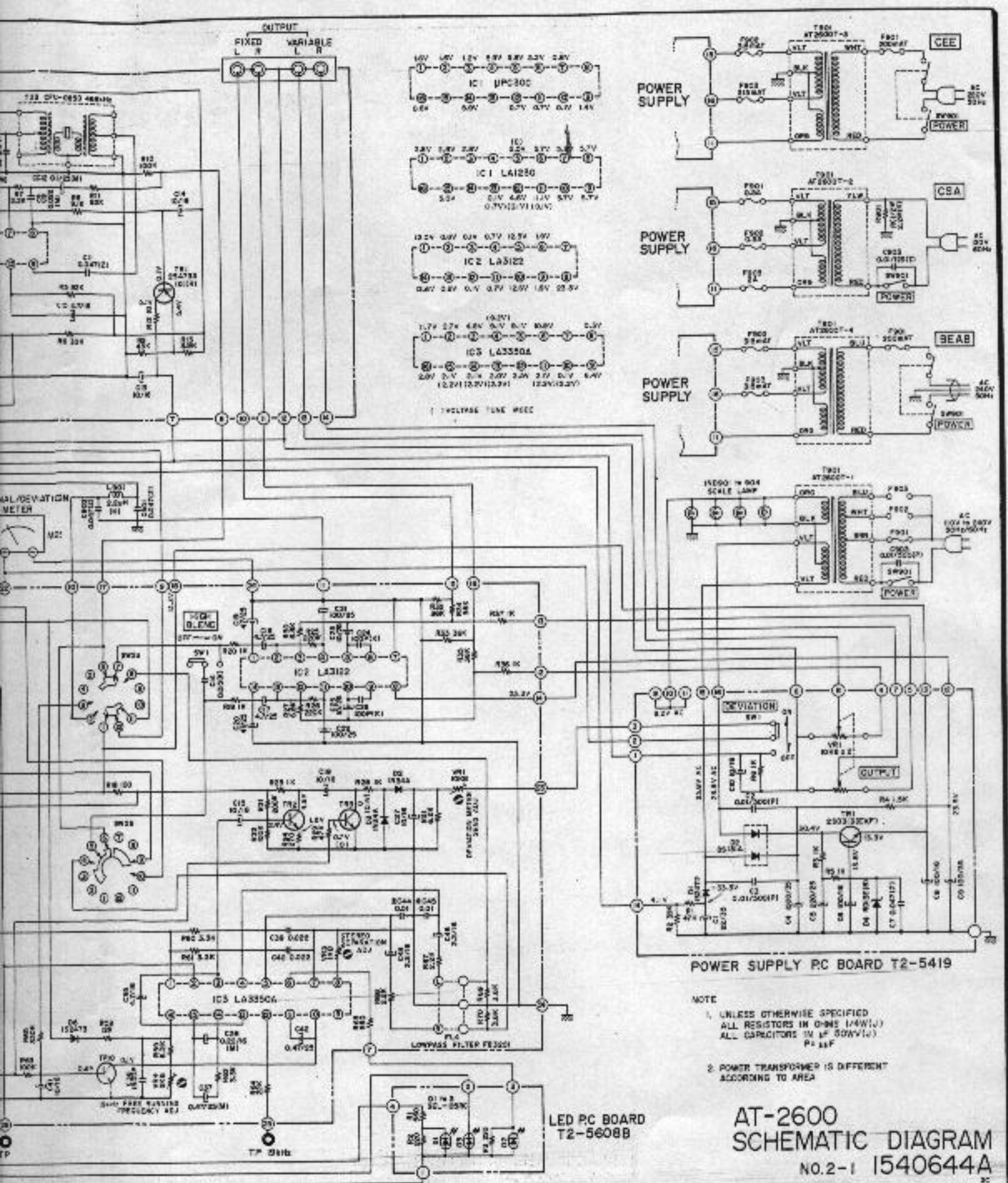
FM IF PC BOARD T2-5608A

SW2 SELECTOR

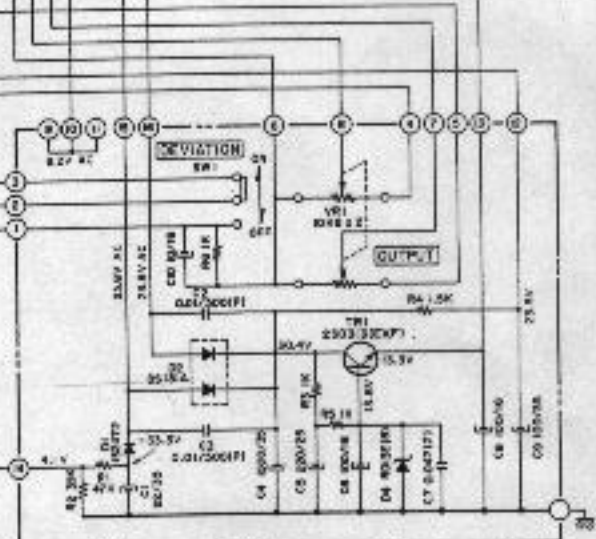
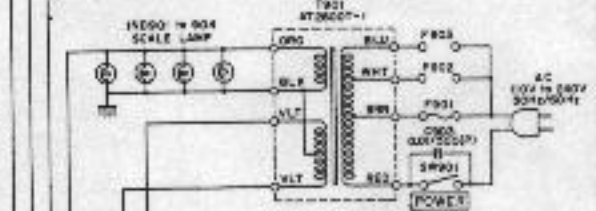
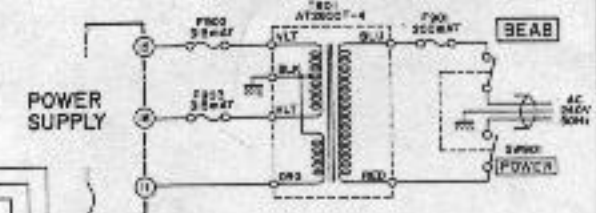
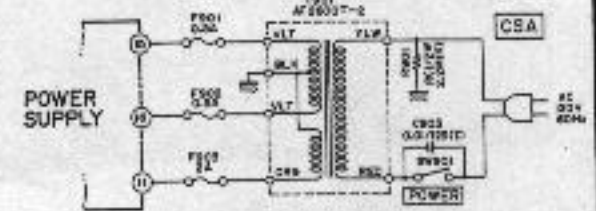
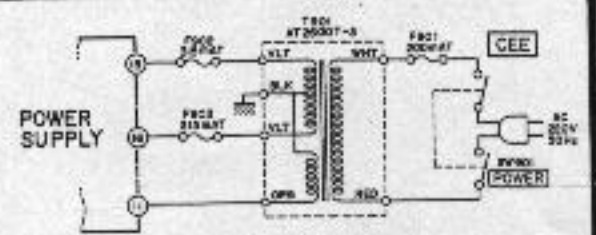
NOW MODE

FM AUTO

FM MUTE



1. VOLTS PER DIV 100



NOTE  
 1. UNLESS OTHERWISE SPECIFIED  
 ALL RESISTORS IN OHMS (1/4W/1/2)  
 ALL CAPACITORS IN μF (50WV/10)  
 P = 25F  
 2. POWER TRANSFORMER IS DIFFERENT  
 ACCORDING TO AREA

AT-2600  
 SCHEMATIC DIAGRAM  
 NO.2-1 1540644A

LED PC BOARD  
 T2-5608B

2. COMPOSITION OF VARIOUS P.C BOARDS  
 1) FM IF P.C BOARD T2-5608A & LED P.C BOARD T2-5608B

