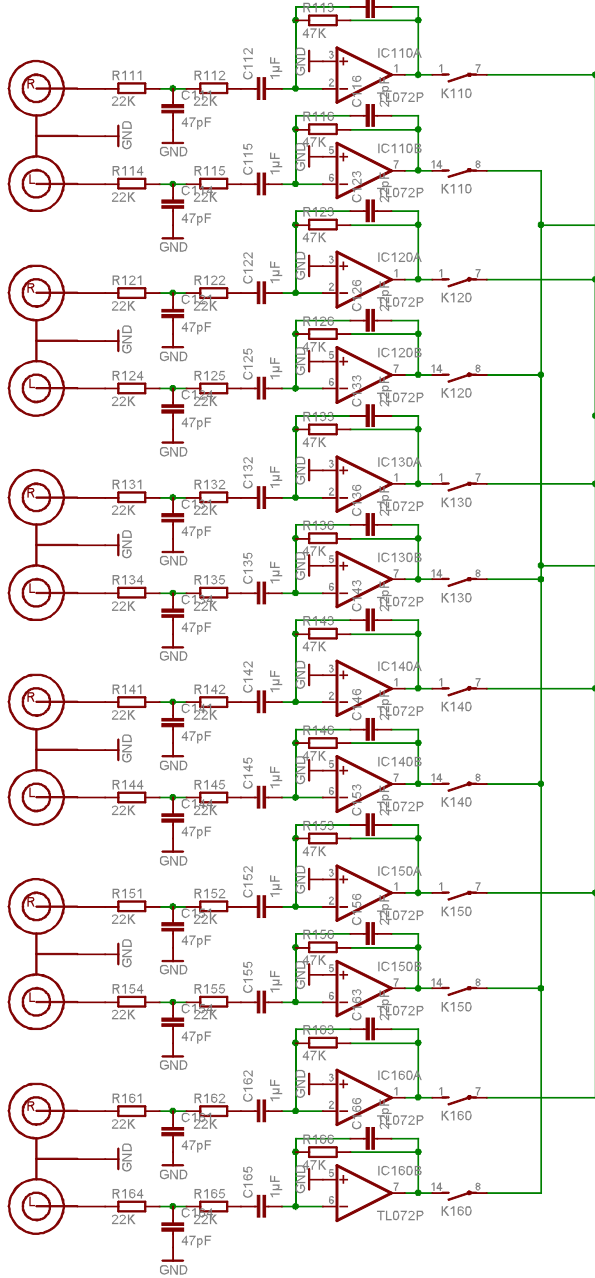
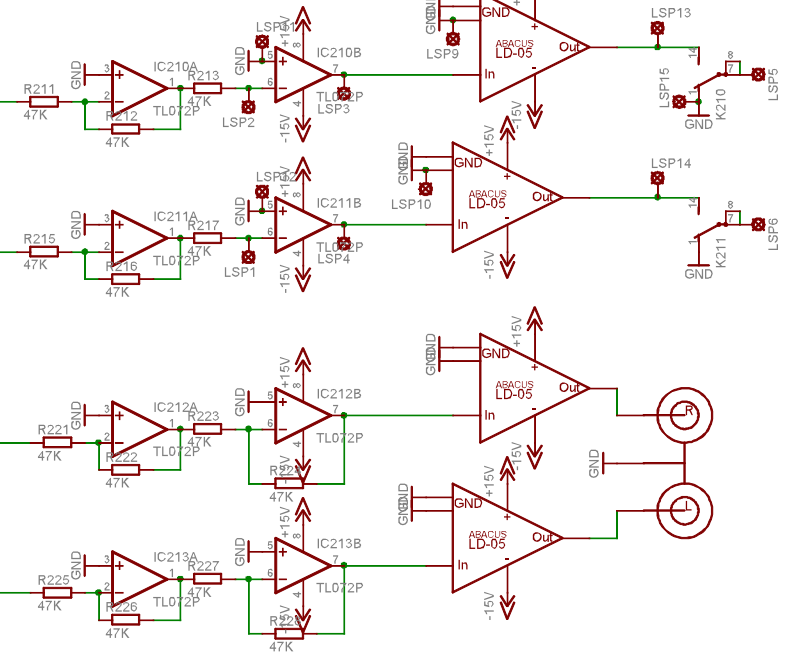


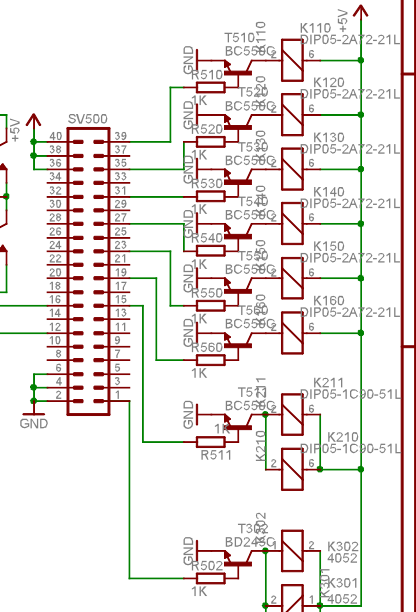
Input channels



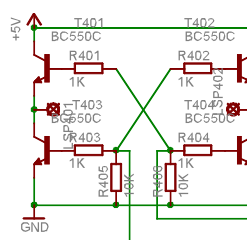
Line driver output channels



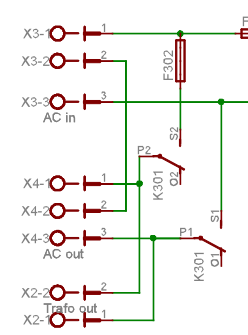
Relay controls



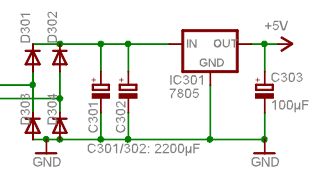
Volume control



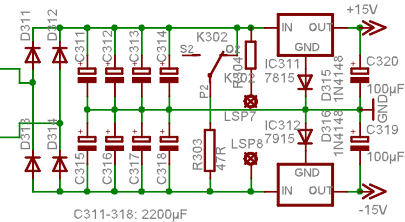
AC supply



Power supply 5V



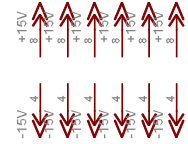
Power supply +/-15V



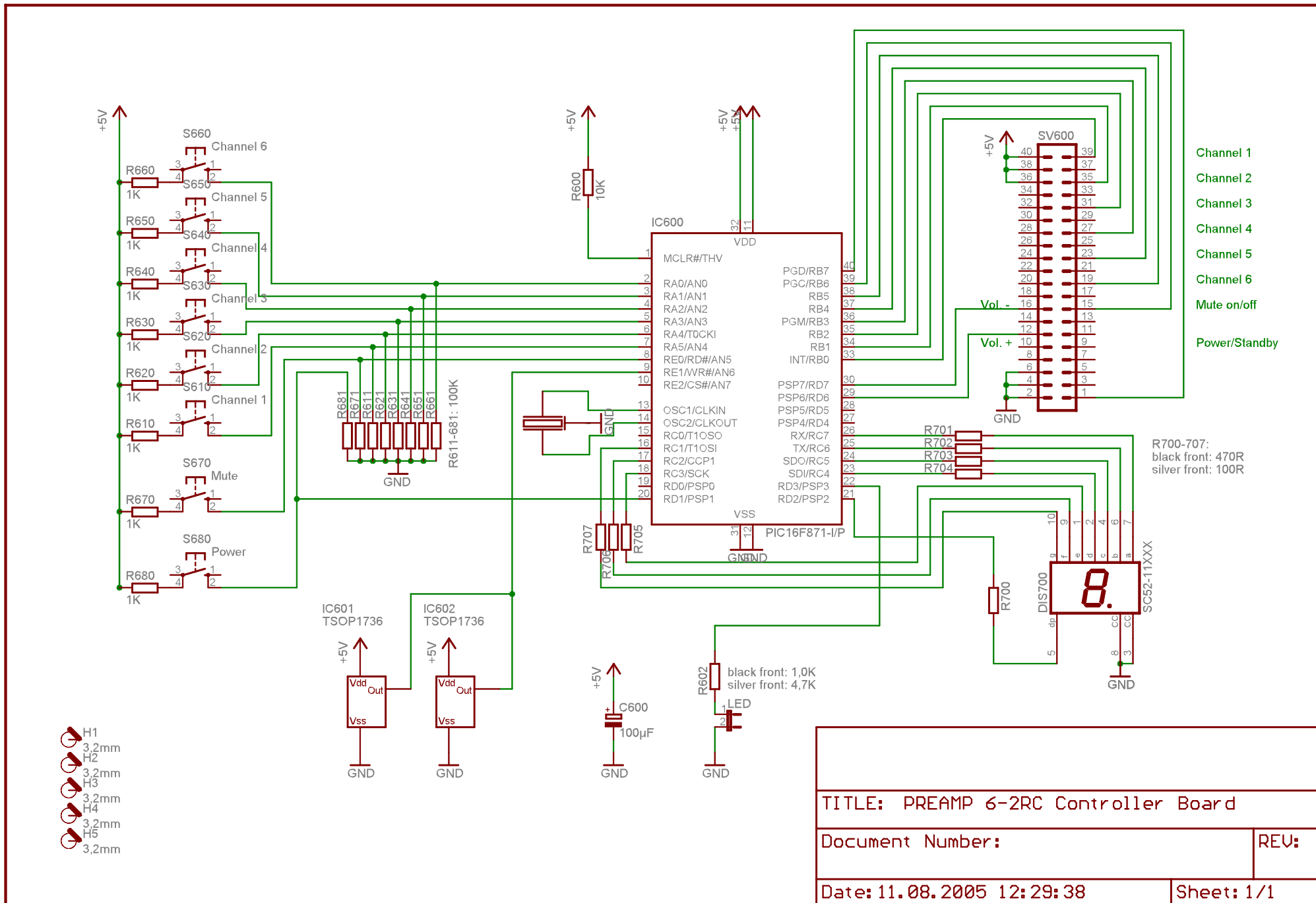
Mounting holes



Op-Amp power connectors



ABACUS electronics	
PREAMP 6-2RC Mainboard	
TITLE: PREAMP 6-2RC Main Board	
Document Number:	REV:
Date: 15.08.2005 13:55:35	Sheet: 1/1



TITLE: PREAMP 6-2RC Controller Board

Document Number: _____ REV: _____

Date: 11.08.2005 12:29:38

Sheet: 1/1