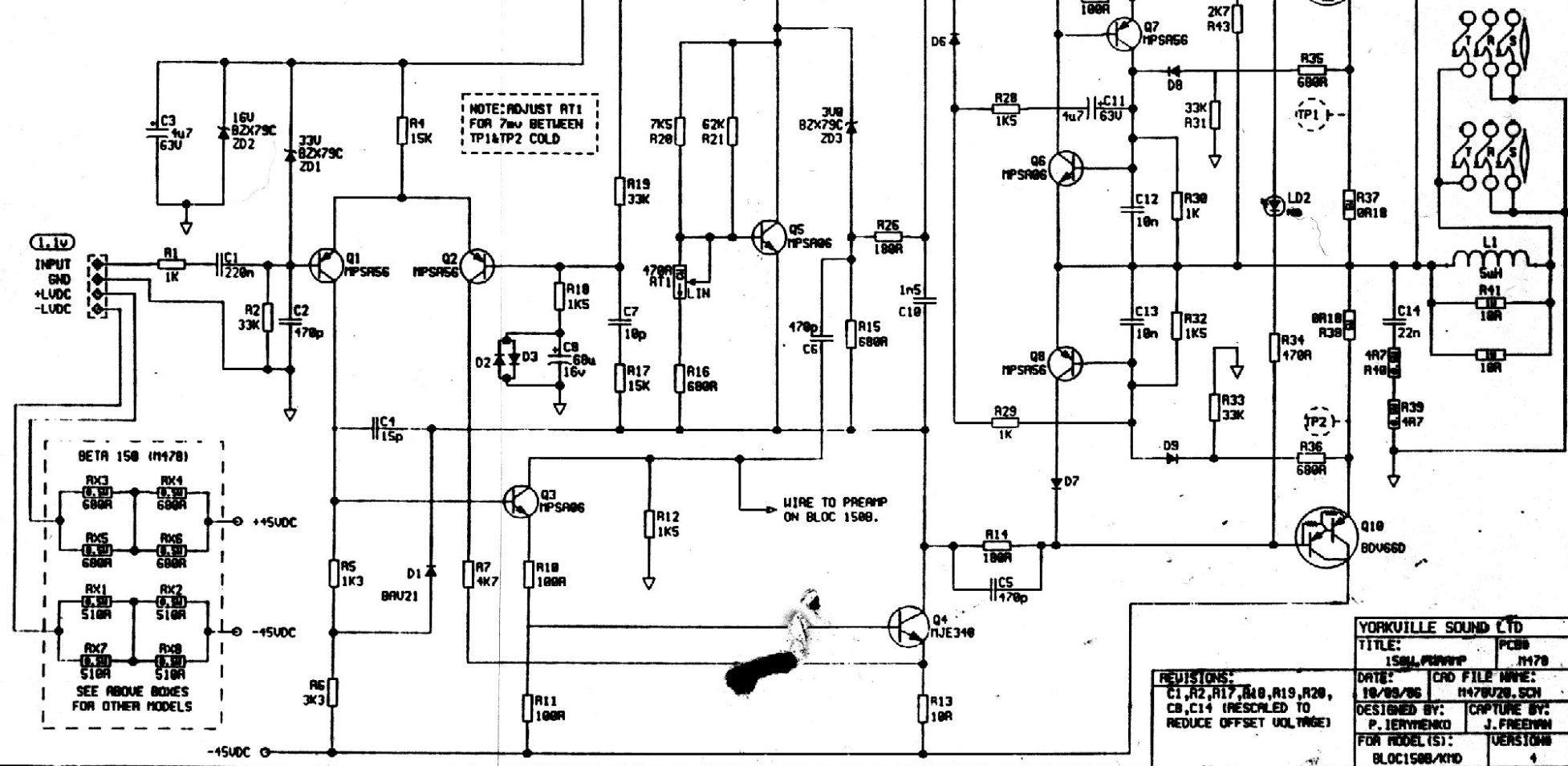


- NOTES:
1. ALL UNMARKED DIODES ARE 1N4148.
  2. THERMAL CONNECT Q5 TO HEATSINK.
  3. OMIT THERMAL BREAKER IN KMD ONLY.
  4. OMIT ONE OUTPUT JACK ON BLOC 1588.
  5. C1=100N FOR BLOC 1588 ONLY.



YORKVILLE SOUND LTD	
TITLE: 158A PREAMP	PCB# M478
DATE: 10/09/86	CRD FILE NAME: M478U20.SCH
DESIGNED BY: P. IERVENKO	CAPTURE BY: J. FREEMAN
FOR MODEL(S): BLOC1588/KMD	VERSION: 4

REVISIONS:  
C1, R2, R17, R48, R19, R20,  
C8, C14 (RESCALED TO  
REDUCE OFFSET VOLTAGE)