



# ***SERVICE MANUAL***

MODEL TYPE: AM50  
***AM50T***

WEB ACCESS: <http://www.yorkville.com>

## **WORLD HEADQUARTERS CANADA**

**Yorkville Sound**  
550 Granite Court  
Pickering, Ontario  
L1W-3Y8 CANADA

Voice: (905) 837-8481  
Fax: (905) 837-8746

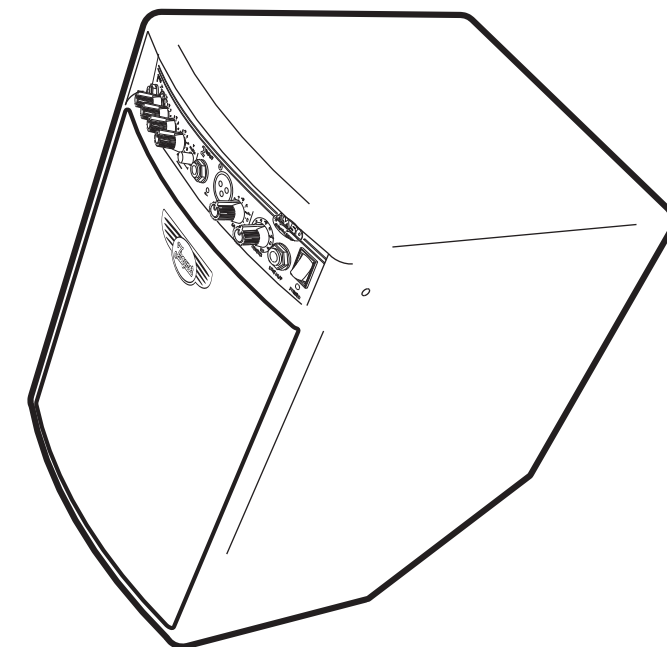
## **U.S.A.**

**Yorkville Sound Inc.**  
4625 Witmer Industrial Estate  
Niagara Falls, New York  
14305 USA

Voice: (716) 297-2920  
Fax: (716) 297-3689



**Quality and Innovation Since 1963**  
Printed in Canada



## IMPORTANT SAFETY INSTRUCTIONS



### INSTRUCTIONS PERTAINING TO A RISK OF FIRE, ELECTRIC SHOCK, OR INJURY TO PERSONS

### INSTRUCTIONS RELATIVES AU RISQUE DE FEU, CHOC ÉLECTRIQUE, OU BLESSURES AUX PERSONNES

#### **CAUTION:**

TO REDUCE THE RISK OF ELECTRIC SHOCK, DO NOT REMOVE COVER (OR BACK).

*NO USER SERVICEABLE PARTS INSIDE.*

**REFER SERVICING TO QUALIFIED SERVICE PERSONNEL.**

#### **AVIS:**

AFIN DE REDUIRE LES RISQUE DE CHOC ELECTRIQUE, N'ENLEVEZ PAS LE COUVERT (OU LE PANNEAU ARRIERE)

*NE CONTIENT AUCUNE PIECE REPARABLE PAR L'UTILISATEUR.*

**CONSULTEZ UN TECHNICIEN QUALIFIE POUR L'ENTRETIEN**

#### **Read Instructions**

The Owner's Manual should be read and understood before operation of your unit. Please, save these instructions for future reference.

#### **Packaging**

Keep the box and packaging materials, in case the unit needs to be returned for service.

#### **Warning**

When using electric products, basic precautions should always be followed, including the following:

##### **Power Sources**

Your unit should be connected to a power source only of the voltage specified in the owners manual or as marked on the unit. This unit has a polarized plug. Do not use with an extension cord or receptacle unless the plug can be fully inserted. Precautions should be taken so that the grounding scheme on the unit is not defeated.

##### **Hazards**

Do not place this product on an unstable cart, stand, tripod, bracket or table. The product may fall, causing serious personal injury and serious damage to the product. Use only with cart, stand, tripod, bracket, or table recommended by the manufacturer or sold with the product. Follow the manufacturer's instructions when installing the product and use mounting accessories recommended by the manufacturer.

The apparatus should not be exposed to dripping or splashing water; no objects filled with liquids should be placed on the apparatus.

Terminals marked with the "lightning bolt" are hazardous live; the external wiring connected to these terminals require installation by an instructed person or the use of ready made leads or cords.

Ensure that proper ventilation is provided around the appliance.

No naked flame sources, such as lighted candles, should be placed on the apparatus.

##### **Power Cord**

The AC supply cord should be routed so that it is unlikely that it will be damaged. If the AC supply cord is damaged DO NOT OPERATE THE UNIT.

##### **Service**

The unit should be serviced only by qualified service personnel.

#### **Veillez Lire le Manuel**

Il contient des informations qui devraient être comprises avant l'opération de votre appareil. Conservez S.V.P. ces instructions pour consultations ultérieures.

#### **Emballage**

Conservez la boîte au cas où l'appareil devait être retourner pour réparation.

#### **Attention:**

Lors de l'utilisation de produits électrique, assurez-vous d'adhérer à des précautions de bases incluant celle qui suivent:

##### **Alimentation**

L'appareil ne doit être branché qu'à une source d'alimentation correspondant au voltage spécifié dans le manuel ou tel qu'indiqué sur l'appareil. Cet appareil est équipé d'une prise d'alimentation polarisée. Ne pas utiliser cet appareil avec un cordon de raccordement à moins qu'il soit possible d'insérer complètement les trois lames. Des précautions doivent être prises afin d'éviter que le système de mise à la terre de l'appareil ne soit désengagé.

##### **Risque**

Ne pas placer cet appareil sur un chariot, un support, un trépied ou une table instables. L'appareil pourrait tomber et blesser quelqu'un ou subir des dommages importants. Utiliser seulement un chariot, un support, un trépied ou une table recommandés par le fabricant ou vendus avec le produit. Suivre les instructions du fabricant pour installer l'appareil et utiliser les accessoires recommandés par le fabricant.

Il convient de ne pas placer sur l'appareil de sources de flammes nues, telles que des bougies allumées.

L'appareil ne doit pas être exposé à des égouttements d'eau ou des éclaboussures et qu'aucun objet rempli de liquide tel que des vases ne doit être placé sur l'appareil.

Assurez que l'appareil est fourni de la propre ventilation.

Les dispositifs marqués d'un symbole "d'éclair" sont des parties dangereuses au toucher et que les câblages extérieurs connectés à ces dispositifs de connection extérieure doivent être effectués par un opérateur formé ou en utilisant des cordons déjà préparés.

##### **Cordon d'Alimentation**

Évitez d'endommager le cordon d'alimentation. N'UTILISEZ PAS L'APPAREIL si le cordon d'alimentation est endommagé.

##### **Service**

Consultez un technicien qualifié pour l'entretien de votre appareil.

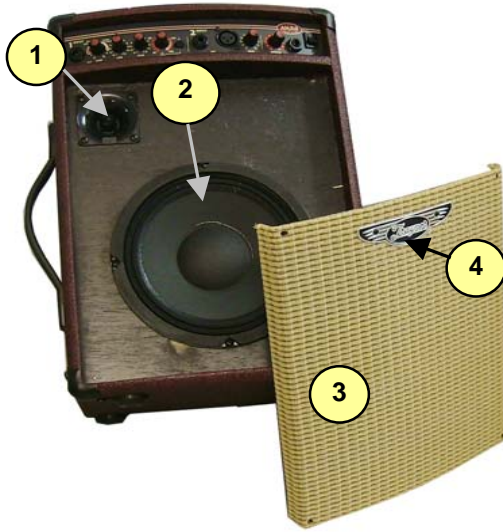
YS-118PW

| YS No. | Description                          | Qty. | YS No. | Description                         | Qty. |
|--------|--------------------------------------|------|--------|-------------------------------------|------|
| 6405   | RED 3MM LED 1V7 5MA BRT              | 2    | 4599   | 22AWG SOLID SC WIR T&R JMP          | 41   |
| 6408   | GRN 3MM LED 1V9 5MA FROSTED          | 1    | 5299   | 24AWG SOLID SC WIR RAD JMP          | 2    |
| 6825   | 1N4148 75V 0A45 DIODE T&R            | 7    | 4675   | 1/2W 10R 5% T&R RES                 | 2    |
| 6438   | 1N4007 400V 1A0 DIODE T&R            | 1    | 4816   | 1/4W 33R 5% T&R RES                 | 1    |
| 6827   | 1N5402 200V 3A0 DIODE                | 4    | 4704   | 5.0W 33R 5% BLK RES                 | 1    |
| 6822   | 1N4745A 16V0 1W0 ZENER 5% T&R        | 2    | 4897   | 1/4W 120R 5% T&R RES                | 2    |
| 6824   | 1N5246B 16V0 0W5 ZENER 5% T&R        | 1    | 4857   | 1/4W 220R 5% T&R RES                | 4    |
| 5105   | MPSA13 TO92 NPN TRANS DARL T&R       | 2    | 4770   | 1/4W 249R 1% T&R RES                | 2    |
| 6755   | LM3876T IC 40 WATT POWER AMP         | 1    | 4655   | 1/2W 330R 5% T&R RES                | 8    |
| 6798   | MC4741CP IC QUAD OP AMP              | 1    | 4799   | 1/4W 562R 1% T&R RES                | 2    |
| 6840   | MC33078P IC DUAL OP AMP              | 1    | 4981   | 1/4W 1K 5%MINI T&R RES              | 3    |
| 6882   | TL072CP IC FET DUAL OP AMP           | 4    | 4824   | 1/4W 1K5 5% T&R RES                 | 3    |
| 6889   | TL074CN IC QUAD O/A T.I ONLY         | 2    | 6113   | 1/4W 2K 5%MINI T&R RES              | 3    |
| 5402   | _15P 100V 10%CAP T&R BEAD NPO        | 2    | 4883   | 1/4W 2K49 1% T&R RES                | 1    |
| 5199   | 100P 100V 2%CAP T&R RAD CER.2"NPO    | 2    | 4827   | 1/4W 4K7 5% T&R RES                 | 5    |
| 5410   | 100P 100V 10%CAP T&R BEAD NPO        | 3    | 4639   | 1/4W 4K99 1% T&R RES                | 4    |
| 5420   | 680P 50V 10%CAP T&R BEAD NPO         | 2    | 4893   | 1/4W 5K1 5% T&R RES                 | 1    |
| 5422   | _1N 50V 10%CAP T&R BEAD NPO          | 4    | 4863   | 1/4W 8K2 5% T&R RES                 | 2    |
| 5208   | _2N2 400V 5%CAP T&R RAD .2"FLM       | 2    | 4800   | 1/4W 10K0 1% T&R RES                | 12   |
| 6451   | _4N7 250V 20%CAP BLK 'Y' 10MM AC     | 1    | 4829   | 1/4W 10K 5% T&R RES                 | 9    |
| 5204   | _10N 100V 10%CAP T&R RAD .2"FLM      | 2    | 6116   | 1/4W 10K0 1%MINI MF T&R RES         | 3    |
| 5207   | _18N 100V 5%CAP T&R RAD .2"FLM       | 2    | 4830   | 1/4W 15K 5% T&R RES                 | 2    |
| 6435   | _22N 275V 20%CAP BLK 'X2' 15MM AC    | 1    | 6123   | 1/4W 20K0 1%MINI MF T&R RES         | 2    |
| 5308   | _47N 50V 10%CAP T&R BEAD X7R         | 1    | 4840   | 1/4W 33K 5% T&R RES                 | 2    |
| 5310   | _68N 50V 10%CAP T&R BEAD X7R         | 1    | 4834   | 1/4W 47K 5% T&R RES                 | 2    |
| 5228   | 100N 100V 5%CAP T&R RAD .2"FLM       | 1    | 4803   | 1/4W 49K9 1% T&R RES                | 1    |
| 5314   | 100N 50V 10%CAP T&R BEAD X7R         | 15   | 4836   | 1/4W 68K 5% T&R RES                 | 1    |
| 5230   | 180N 63V 5%CAP T&R RAD .2"FLM        | 1    | 6120   | 1/4W 100K 5%MINI T&R RES            | 5    |
| 5317   | 180N 50V 10%CAP T&R BEAD X7R         | 1    | 4849   | 1/4W 180K 5% T&R RES                | 2    |
| 5231   | 220N 63V 10%CAP T&R RAD .2"FLM       | 2    | 4844   | 1/4W 1M 5% T&R RES                  | 1    |
| 5233   | 330N 63V 5%CAP T&R RAD .2"FLM        | 1    | 3586   | ACC# 1BB1C1C SHORT REVERB           | 1    |
| 5234   | 470N 63V 10%CAP T&R RAD .2"FLM       | 1    | 8742   | 4-40 X 3/8 PAN PH TAPTITE JS500     | 2    |
| 5255   | _1U 63V 20%CAP T&R RAD .2"EL         | 3    | 8842   | #4 X 5/16 PAN QUAD TYPE A JS500 BLK | 2    |
| 5256   | _1U 63V 5%CAP T&R RAD .2"FLM         | 2    | 8801   | 6-32 X 3/8 PAN PH TAPTITE JS500     | 5    |
| 5257   | _2U2 63V 20%CAP T&R RAD .2"EL        | 1    | 8829   | 6-32 X 3/8 FLAT PH TAPTITE BO#4 HEA | 4    |
| 5945   | _10U 63V 20%CAP T&R RAD .2"EL        | 1    | 8828   | 6-32 X 3/4 PAN PH TAPTITE JS500     | 3    |
| 5961   | _33U 16V 20%CAP T&R RAD .2"NIP       | 2    | 8876   | #6 X 1 1/2 PAN PH TYPE A JS500 BLK  | 4    |
| 5267   | 100U 25V 20%CAP T&R RAD .2"EL        | 3    | 8763   | 8-32 X 1/2 PAN PH MS JS500 BLACK    | 2    |
| 5630   | 330U 25V 20%CAP BLK 10X13MM EL       | 2    | 8767   | #8 X 3/4 PAN PHIL TYPE A JS500 BLK  | 8    |
| 5887   | 2200U 50V 20%CAP BLK 18X27MM EL      | 2    | 8815   | 8-32 X 3/4 PAN PH TAPTITE JS500     | 1    |
| 4417   | _10K 5B LIN 9MM HORIZONTAL P28       | 2    | 8749   | 10-32 X 1/2 QDX PH TAPTITE JS500    | 1    |
| 4418   | _10K 5C R/A 9MM HORIZONTAL P28       | 2    | 8753   | #10 X 1/2 PAN PH TYPE A JS500 BLACK | 16   |
| 4420   | _50K B LIN 9MM HORIZONTAL P28        | 1    | 8781   | #10 X 7/8 FLAT PHIL TYPE A JS500BLK | 10   |
| 4419   | 100K B LIN 12MM HORIZONTAL STP27     | 1    | 8912   | 10-32 X 1 FLAT PHIL MS JS500 BLK    | 2    |
| 711    | 30 X 50 X 1.5MIL PLASTIC BAG         | 1    | 8843   | 10-32 X 1 1/8 FLAT PH MS JS500      | 2    |
| 3804   | SNAP ON 1.5" INSULATING BUSHING      | 1    | 8770   | 1/4-20 X 1 5/16 TRUSS PH MS JS500   | 2    |
| 8547   | PLASTIC FOOT BLACK, POLYETHYLENE     | 8    | 8905   | YORKVILLE PRODUCT SCHEMATIC         | 1    |
| 8570   | CORNER, 2 LEGS NOTCED LIP BLACK      | 6    | 3833   | 8 X 3/8 (250 OD, .171 ID)NY SPACER  | 3    |
| 3463   | CLIP 110X020 18-22AWG DISCO/INSL     | 2    | 7331   | 8" 8R 50WPGM SPEAKER                | 1    |
| 3478   | CLIP 205/187X032 18-22AWG DISCO/INS  | 2    | 8820   | #8 FLAT WASHER JS500                | 4    |
| 3489   | CLIP 250X032 18-22AWG DISCO/INSL     | 9    | 8473   | #10 BLACK CUPWASHER SWF-10BK        | 3    |
| 3490   | CLIP 250X032 14-16AWG DISCO/INSL     | 1    | 3421   | DPDT PUSH SW PCMT MAKE B4 BREAK     | 1    |
| 3601   | RING TERMINAL 16AWG WIRE & #8 SCREW  | 3    | 3698   | SPST ROKR SW QUIK 180° AC PWR BL/BL | 1    |
| 3682   | 250 MALE PCB TAB REEL                | 10   | 8468   | VELCRO STRAP 3/4"X22CM (VELSTRAP)   | 1    |
| 3795   | #8 GROUND LUG ZIERICK 505-169        | 2    | 1309   | BLOC-40B/40K/40W/50B XFMR           | 1    |
| 3498   | 1/4" JCK PCB MT HORZ                 | 3    |        |                                     |      |
| 3886   | 36" RCA DUAL RED-WHITE PREFAB CABLE  | 1    |        |                                     |      |
| 3914   | RCA SNGL PCB MT HORZ                 | 2    |        |                                     |      |
| 3417S  | 6-32 SCREW TERMINAL PC MNT SNAP-IN   | 2    |        |                                     |      |
| 3660   | XLR FEML PCB MT HORZ                 | 1    |        |                                     |      |
| 3451   | EYELET SMALL 0.089 OD PLATED         | 6    |        |                                     |      |
| 3414   | INTERNATIONAL PC MOUNT FUSEHOLDER    | 2    |        |                                     |      |
| 2468   | 0.800 AMP SLO-BLO .25X1.25 FUSE      | 1    |        |                                     |      |
| 8451   | 10" STRAP HANDLE, BLACK METAL ENDCAP | 1    |        |                                     |      |
| 8604   | 10-32 T NUT                          | 2    |        |                                     |      |
| 7417   | 8R 30W TWEETER PIEZO TLC 1           | 1    |        |                                     |      |
| 3745   | DUAL XSISTOR PBL SPRING CLEAR ZINC   | 1    |        |                                     |      |
| 9897   | CABINET COVER, BLACK, 54" WIDE       | 1    |        |                                     |      |
| 3645   | AC SOCKET RECEPTACLE WITH 0.250 TAB  | 1    |        |                                     |      |
| 3801   | 5/8" BUMPER BUTTON BLACK             | 1    |        |                                     |      |
| 3803   | NYLON SECUR-A-TACH MINI PLASTIC TIE  | 1    |        |                                     |      |
| 3810   | 4" NYLON CABLE TIE                   | 5    |        |                                     |      |
| 8642   | MAROON KNOB FOR AM WINE RED SERIES   | 6    |        |                                     |      |
| 8649   | BUTTON KNOB FLAT BLACK               | 1    |        |                                     |      |
| 3428   | 8' 3/18 SJT AC LINE CORD REMOVABLE   | 1    |        |                                     |      |
| 3834   | HEYCO #1214 STRAIN RELIEF            | 1    |        |                                     |      |
| 8267   | SMALL TRAYNOR LOGO EMBOSSED ALUMIN.  | 1    |        |                                     |      |
| 8910   | YORKVILLE PRODUCT MANUAL             | 1    |        |                                     |      |
| 8900   | YORKVILLE WARRANTY CARD 2-YR UNLTD.  | 1    |        |                                     |      |
| 8701   | 4-40 KEPS NUT ZINC                   | 2    |        |                                     |      |
| 8800   | 6-32 KEPS NUT ZINC                   | 3    |        |                                     |      |
| 8787   | 8-32 KEPS NUT ZINC                   | 2    |        |                                     |      |
| 8845   | 10-32 PEMNUT C-1032-2-Z1             | 2    |        |                                     |      |
| 8898   | 1/4-20 CAGE NUT C79 98142027         | 2    |        |                                     |      |
| 3830   | TO218 PREGREASED MICA 56-78-2AP      | 1    |        |                                     |      |
| 8581   | CUSTOM PBL TRANSISTOR SPACER         | 1    |        |                                     |      |
| 4597   | 22AWG STRAN TC WIR JMP               | 7    |        |                                     |      |

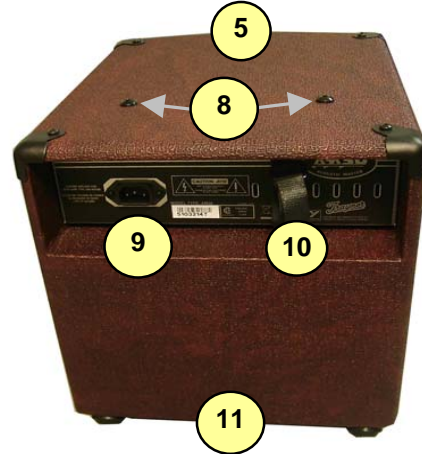
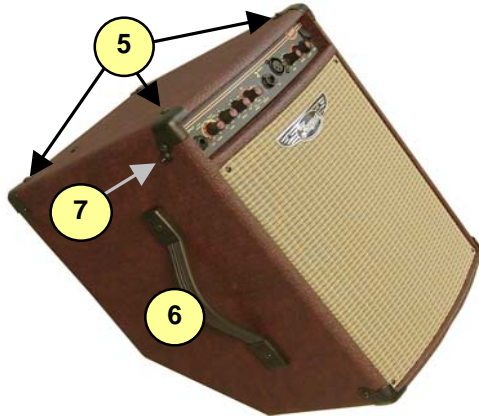


# am50t

Traynor Acoustic Master



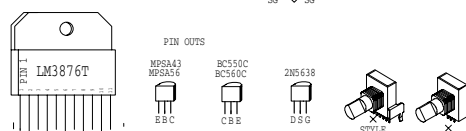
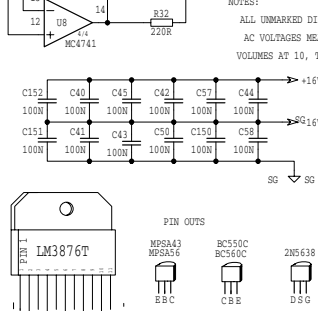
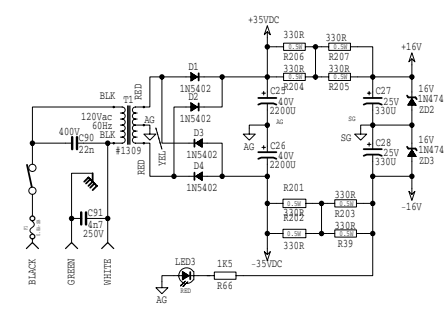
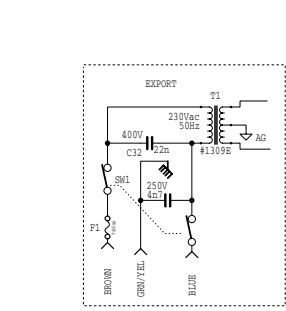
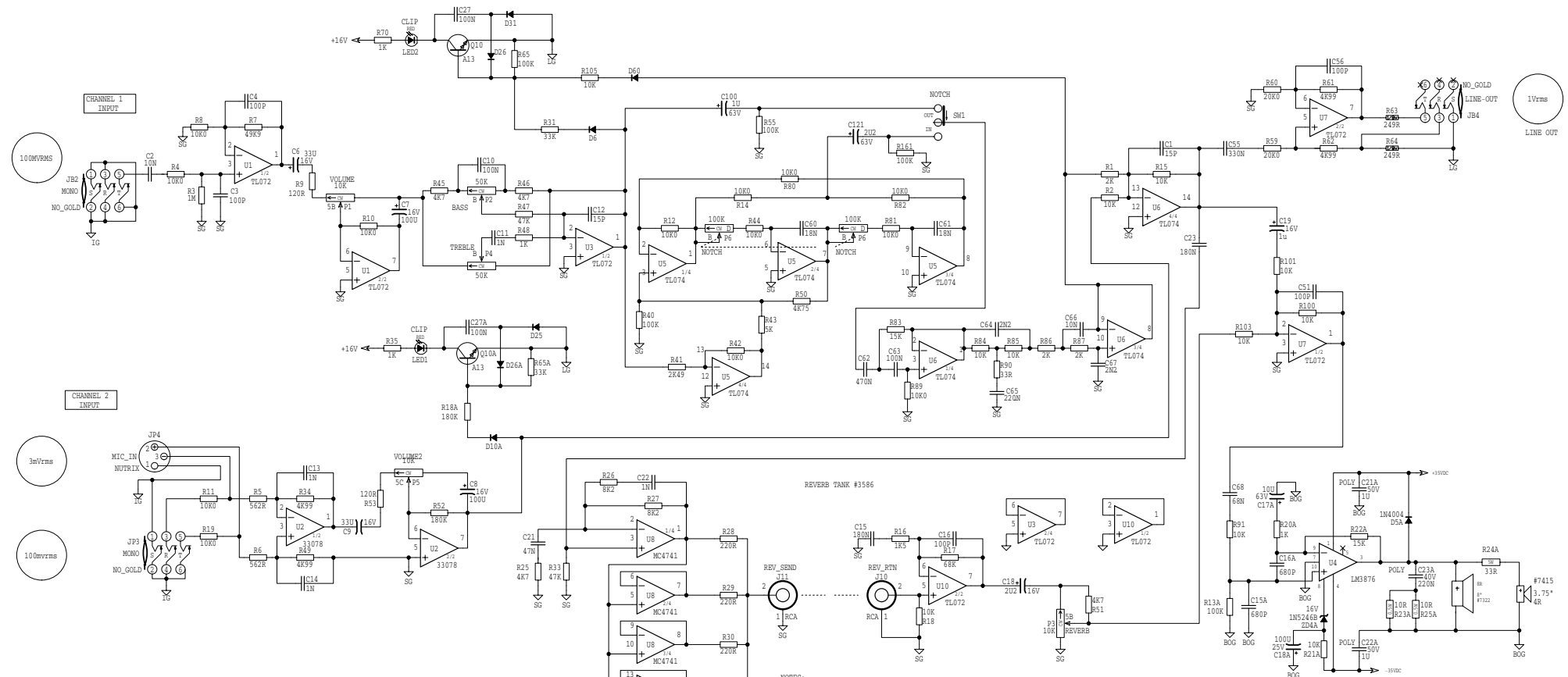
| #                  | Part#     | Description  |
|--------------------|-----------|--|
| Labeled Components |           |  |
| 1                  | 7417      | 8R 30W TWEETER PIEZO TLC 1                           |
| 2                  | 7331      | 8" 8R 50WPGM SPEAKER                                 |
| 3                  | Z276      | AM50T GRILL  |
| 4                  | 8267      | SMALL TRAYNOR LOGO EMBOSSED ALU                      |
| 5                  | 8570      | CORNER, 2 LEGS NOTCED LIP BLACK                      |
| 6                  | 8451      | 10" STRAP HANDLE, BLACK METAL EN                     |
| 7                  | 8473/8912 | #10 BLACK CUPWASHER /10-32 X 1 FLAT PHIL MS JS500 BL |
| 8                  | 8770/8817 | 1/4-20 X 1 5/16 TRUSS PH MS JS500/#10 FLAT WASHER    |
| 9                  | 3645      | AC SOCKET RECEPTACLE WITH 0.250                      |
| 10                 | 8468      | VELCRO STRAP 3/4"X22CM (VELSTRA                      |
| 11                 | 8547      | PLASTIC FOOT BLACK, POLYETHYLEN                      |
| 12                 | 3450      | 1/4" JCK PCB MT HORZ, GOLD                           |
| 13                 | 8642      | MAROON KNOB FOR AM WINE RED SER                      |
| 14                 | 3421/8649 | DPDT PUSH SW PCMT MAKE B4 BREAK/BUTTON KNOB          |
| 15                 | 3660      | XLR FEML PCB MT HORZ                                 |
| 16                 | 3698      | SPST ROKR SW QUIK 180" AC PWR B                      |
| 17                 | 3428      | 8' 3/18 SJT AC LINE CORD REMOVA                      |
| 18                 | 3586      | ACC# 1BB1C1C SHORT REVERB                            |
| 19                 | 3688      | 36" RCA DUAL RED-WHITE PREFAB C                      |
| 20                 | 2468      | 0.800 AMP SLO-BLO .25X1.25 (Internal Fuse)           |
| 21                 |           |  |
| 22                 |           |  |



\*NOTE: Replacement grills & HF Driver supports are 'Special-Order' and are only available while the model is in production.

\*\* Internal Lightbulb not shown

**Real Gear.  
Real People.**



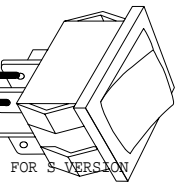
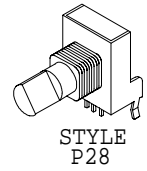
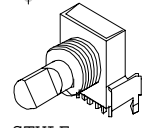
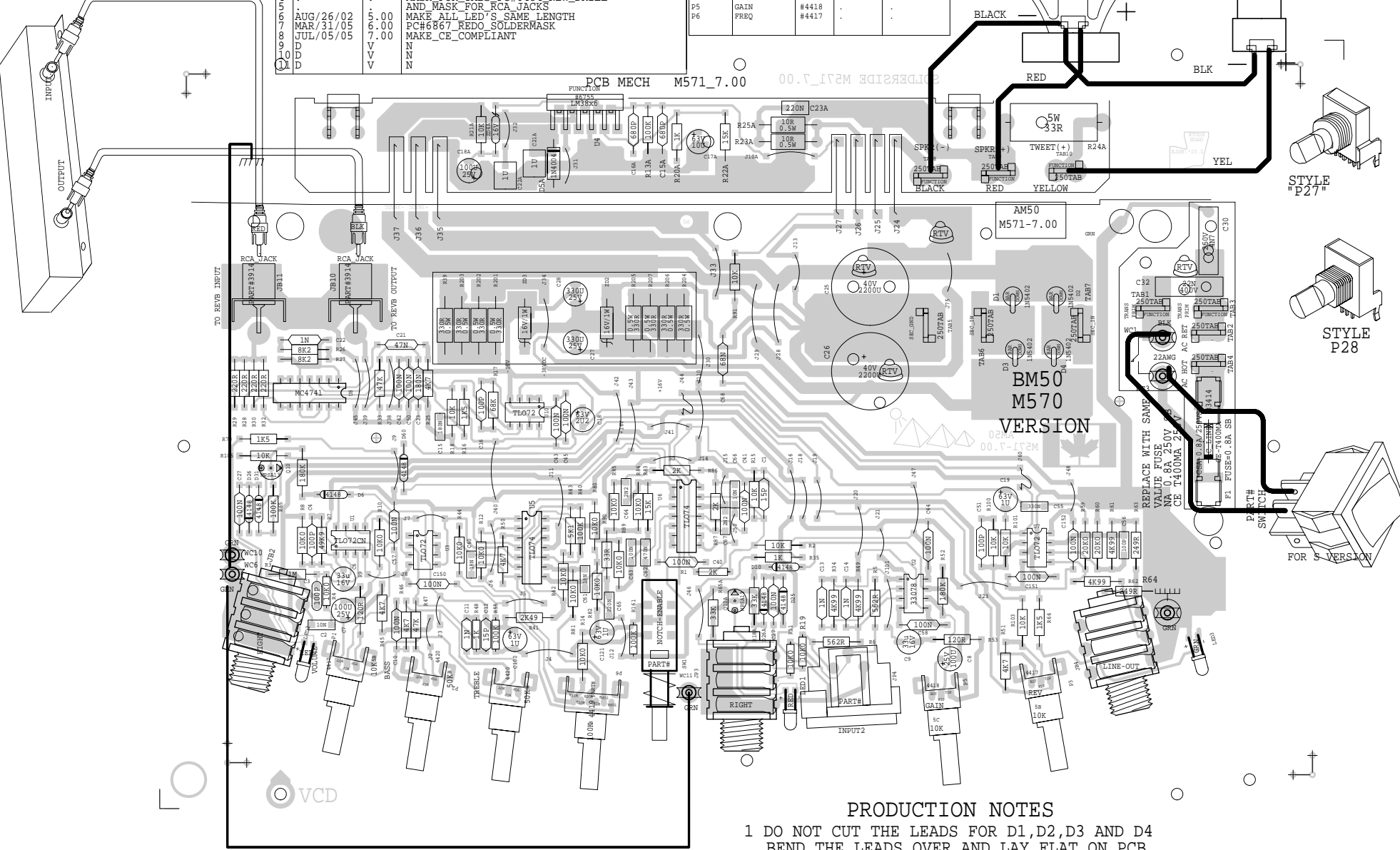
NOTES:  
 ALL UNMARKED DIODES ARE 1N4148  
 AC VOLTAGES MEASURED AT 1KHz AND WITH  
 VOLUMES AT 10, TONES AT 0

| M571.SCH_DATABASE_HISTORY |           |      |                                     | M571.PCB_POT_LIST |     |          |       |       |          |
|---------------------------|-----------|------|-------------------------------------|-------------------|-----|----------|-------|-------|----------|
| MODEL(S) :- AM50          |           |      |                                     | MODEL(S) :- AM50  |     |          |       |       |          |
| #                         | DATE      | VER# | DESCRIPTION OF CHANGE               | #                 | REF | FUNCTION | PART# | KNOB  | AS OF    |
| 1                         | JAN/18/00 | 1.20 | ADD HISTORY FOR BLOCKS              | 1                 | P2  | VOLUME   | #4417 | #8641 | JAN/2000 |
| 2                         | MAY/03/06 | 1.50 | UPDATE CB PART SUPPLY               | 1                 | P3  | BASS     | #4420 | .     | .        |
| 3                         | AUG/22/01 | 1.20 | PC#4615 E-VERSION XFRM #1206-x1309E | 1                 | P4  | REVERB   | #4417 | .     | .        |
| 4                         | OCT/06/03 | 1.50 | CORRECT POLARITY OF HORN            | 1                 | P5  | TREBLE   | #4420 | .     | .        |
| 5                         |           |      |                                     | 1                 | P6  | GAIN     | #4419 | .     | .        |
| 6                         |           |      |                                     | 1                 | P7  | NOTCH    | #4419 | .     | .        |
| 7                         |           |      |                                     | 1                 | P8  |          |       | .     | .        |
| 8                         |           |      |                                     | 1                 | P9  |          |       | .     | .        |
| 9                         |           |      |                                     | 1                 | P10 |          |       | .     | .        |
| 10                        |           |      |                                     | 1                 | P11 |          |       | .     | .        |

| M571.PCB_DATABASE_HISTORY |           |      |                                 |
|---------------------------|-----------|------|---------------------------------|
| MODEL(S):- AM50           |           |      |                                 |
| #                         | DATE      | VER# | DESCRIPTION OF CHANGE           |
| 1                         | JAN/18/00 | 3.00 | ADD POT CHART                   |
| 2                         | JAN/15/02 | 4.00 | PC#6250 MOVE C2 AWAY FROM JB2   |
| 3                         | ..        | ..   | PC#6177 MOVE RED LED_NEW SOLDER |
| 4                         | ..        | ..   | MASK FOR TABS_PC#6484_NEW_DRILL |
| 5                         | ..        | ..   | AND MASK FOR RCA JACKS          |
| 6                         | AUG/26/02 | 6.00 | MAKE ALL LED'S SAME LENGTH      |
| 7                         | MAR/31/05 | 7.00 | PC#6867 REDO SOLDERMASK         |
| 8                         | JUL/05/05 | 7.00 | MAKE_CE_COMPLIANT               |
| 9                         | ..        | ..   | ..                              |
| 10                        | ..        | ..   | ..                              |
| 11                        | ..        | ..   | ..                              |
| 12                        | ..        | ..   | ..                              |

| M571.PCB_POT_LIST |          |       |      |          |
|-------------------|----------|-------|------|----------|
| MODEL(S):- AM50   |          |       |      |          |
| REF               | FUNCTION | PART# | KNOB | AS OF    |
| P1                | VOLUME   | #4417 |      | JAN/2000 |
| P2                | BASS     | #4420 |      |          |
| P3                | REVERB   | #4417 |      |          |
| P4                | TREBLE   | #4420 |      |          |
| P5                | GAIN     | #4418 |      |          |
| P6                | FREQ     | #4417 |      |          |

7331 8" 8 OHM JENSEN  
7415 LESON



**PRODUCTION NOTES**

- 1 DO NOT CUT THE LEADS FOR D1,D2,D3 AND D4
- BEND THE LEADS OVER AND LAY FLAT ON PCB

# Block Diagram for AM50T

DESIGNED AND MANUFACTURED BY YORKVILLE SOUND

