



**Quality and
Innovation
Since 1963**

SERVICE MANUAL YORKVILLE 100B

Before operating this unit, please read this manual thoroughly, and retain it for future use.
Veuillez lire ce manuel attentivement avant d'utiliser l'appareil et le conserver pour consultations ultérieures.

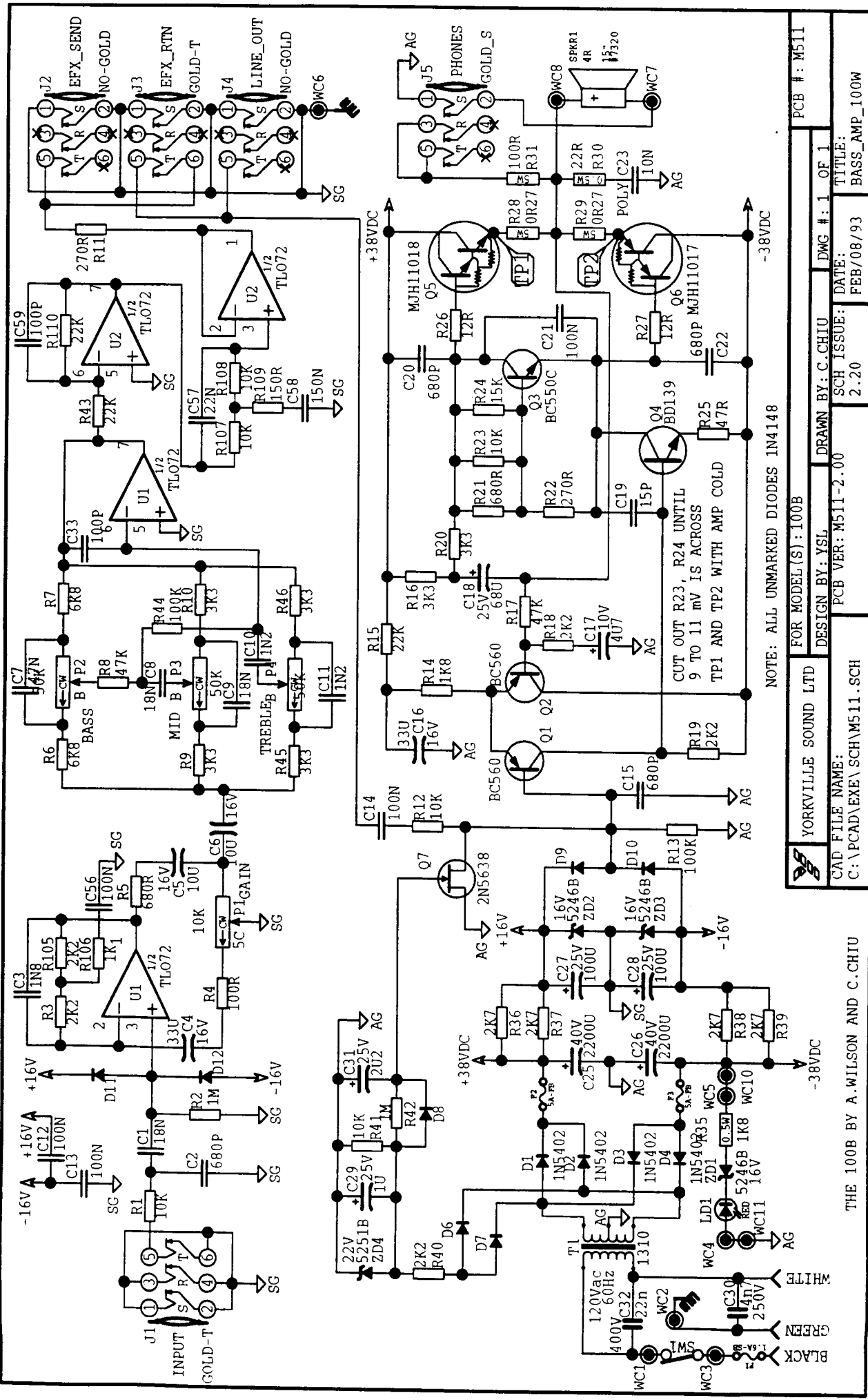
RÉVISÉ 06/93 Printed in Canada

100B SERVICE MANUAL

SPECIFICATIONS

POWER OUTPUT:	100W, 4 Ohm load, 5%THD, 1KHz
INPUT SENSITIVITY:	INPUT <25mVrms
	EFFECTS RETURN <1Vrms
DC OFFSET:	<40mV
SPEAKER:	15 inch, 4 Ohm

7347	15" 4R 200W SPEAKER BASS	1
8459	BLACK SHORT PLASTIC STRAP HANDLE	1
1310	TRANSFORMER	1
3480	8' LINECORD SJT 3/18 60 C	1
M511PCB	POWER AMP BOARD ASSEMBLY	
5303	18N 50V BD CAP T&R	3
5304	22N 50V BD CAP T&R	1
5308	47N 50V BD CAP T&R	2
5314	100N 50V BD CAP T&R	4
5316	150N 50V BD CAP T&R	1
5402	15P 100V TUB CAP T&R	1
5410	100P 100V TUB CAP T&R	2
5423	1N2 50V BD CAP T&R	3
6463	1N5251BRL 22V0 0W5 ZENER 5% T	1
6824	1N5246B 16V0 0W5 ZENER 5% T	3
6825	1N4148 75V 0A45 DIODE T&R	7
5102	BC560C T092 PNP TRANS. T&R	2
5119	2N5638 T092 N CHAN J FET	1
5255	1U 63V 20% CAP T&R REL .2"	1
5257	2U2 63V 20% CAP T&R REL .2"	1
5259	4U7 63V 20% CAP T&R REL .2"	1
5265	68U 25V 20% CAP T&R REL .2"	1
5267	100U 25V 20% CAP T&R REL 0.2"	2
5281	10U 16V NP CAP T&R REL .2"	2
5961	33U 16V NP CAP T&R RAD 6X7MM	2
6882	TL072CP IC FET DUAL OP AMP	2
3498	M203-92 PLAIN PC MNT JK SKT	2
3523	M203-92A GOLD TIP PC MNT JK SKT	2
3527	M203-92B GOLD SLV PC MNT JK SKT	1
3800	BELLY BUTTON #BB1 CORDS CANADA	2
4406	50K ROT 1B TOOTH H 16M	3
4409	10K ROT 5C TOOTH S H 16M	1
4692	100R 5% 5W RES BLK	1
4729	0R27 5% 5W RES BLK	2
5101	BC550C T092 NPN TRANS. T&R	1
6451	4N7 250V AC CAP BLK X .6" RAT	1
5834	10N 250V CAP RPY	1
5873	2200U 40V CAP AEL	2
6405	RED 3MM LED 1V7 5MA BRIGHT PA	1
6435	22N 400V AC CAP PANASONIC	1
6774	BD139 T0126 NPN TRANS	1
6779	MJH11018 T0218 NPN TRANS	1
6802	MJH11017 T0218 PNP TRANS	1
6827	1N5402 200V 3A0 DIODE	4
8443	FUSE LABEL BLANK .8W/.2H 360/SHE	2
3698	SPST ROKR SW QUIK 180" AC PWR BL	1
3830	T0218 PREGREASED MICA 56-78-2AP	2
3834	STRAIN RELIEF SR-6L-1	1

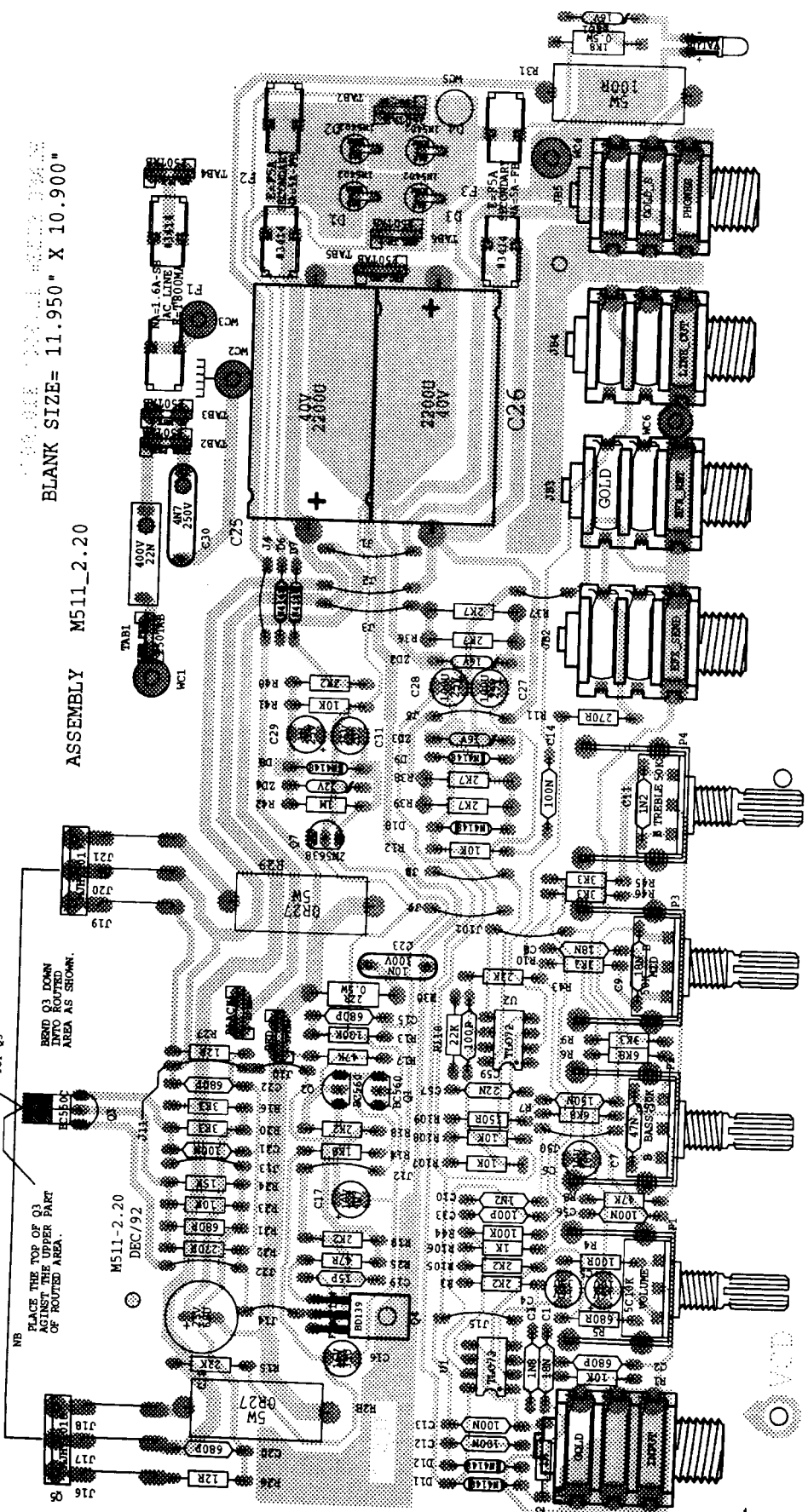


NOTE: ALL UNMARKED DIODES 1N4148

YORKVILLE SOUND LTD		FOR MODEL (S): 100B		PCB # : M511	
DESIGN BY: YSL		DRAWN BY: C. CHIU		DWG # : 1 OF 1	
CAD FILE NAME: C:\PCAD\EXE\SCH\M511.SCH		SCH ISSUE: 2.20		DATE: FEB/08/93	
				TITLE: BASS_AMP_100W	

THE 100B BY A. WILSON AND C. CHIU

BLACK
GREEN
WHITE



BLANK SIZE= 11.950" X 10.900"

ASSEMBLY M511_2.20

PLACE THE TOP OF Q3 INTO THE UPPER PART OF ROUTED AREA.

TOP Q3

M511-2.20
DEC/92