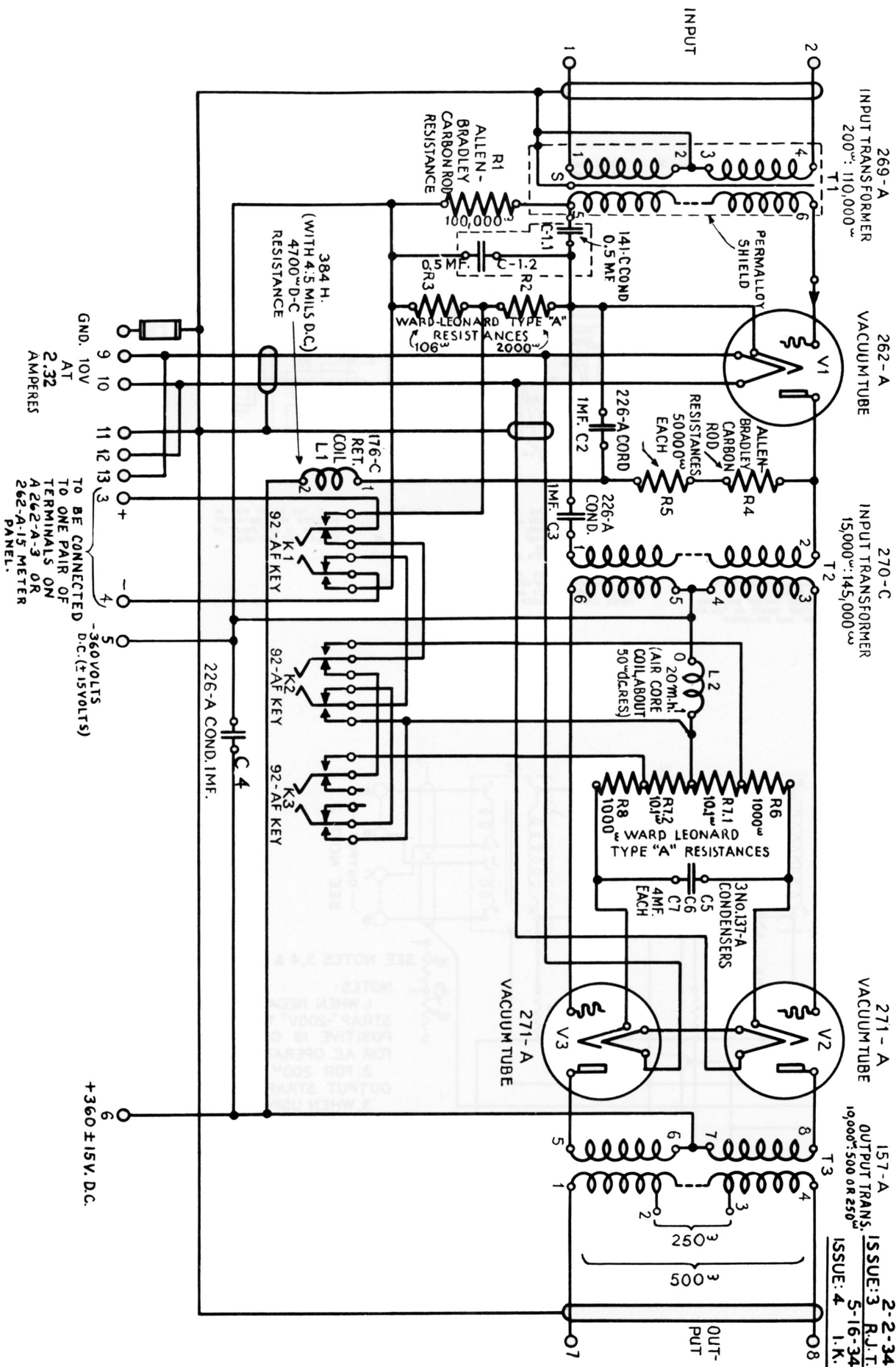


No.82A-3 AMPLIFIER No.82A-15 AMPLIFIER

BELL TELEPHONE LABORATORIES,  
INCORPORATED

82 A-3, 82 A-15 AMPLIFIERS  
Schematic Circuit Diagram



910-2430

6-26-33

ISSUE:1 1.K.

7-6-33

ISSUE:2 1.K.

2-2-34

ISSUE:3 R.J.T.

5-16-34

ISSUE:4 1.K.