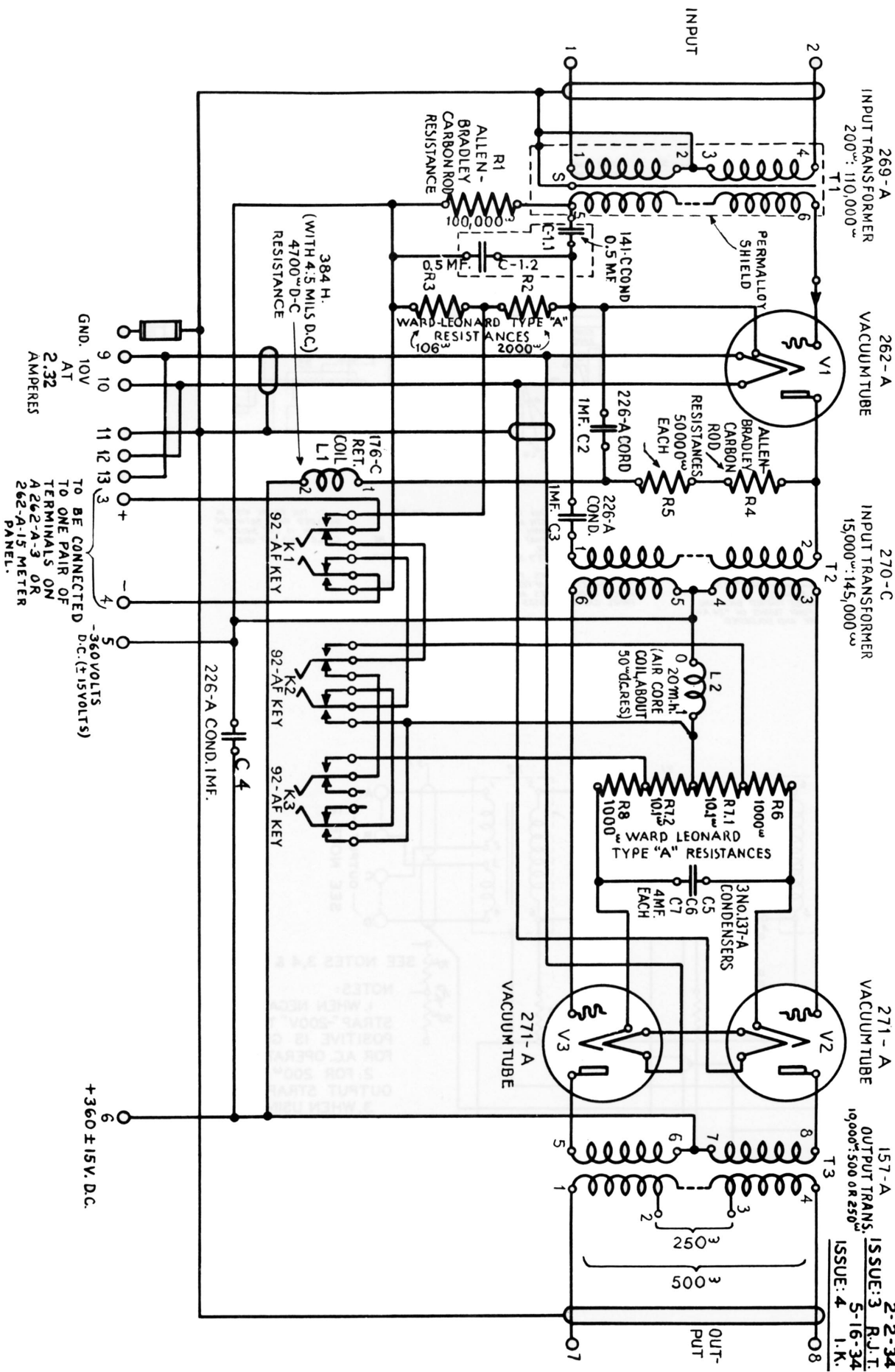


No.82A-3 AMPLIFIER No.82A-15 AMPLIFIER

BELL TELEPHONE LABORATORIES,  
INCORPORATED

82 A-3, 82 A-15 AMPLIFIERS  
Schematic Circuit Diagram



910-2430

6-26-33

ISSUE: 1 1.K.

ISSUE: 2 1.K.

ISSUE: 3 R.J.T.

ISSUE: 4 1.K.