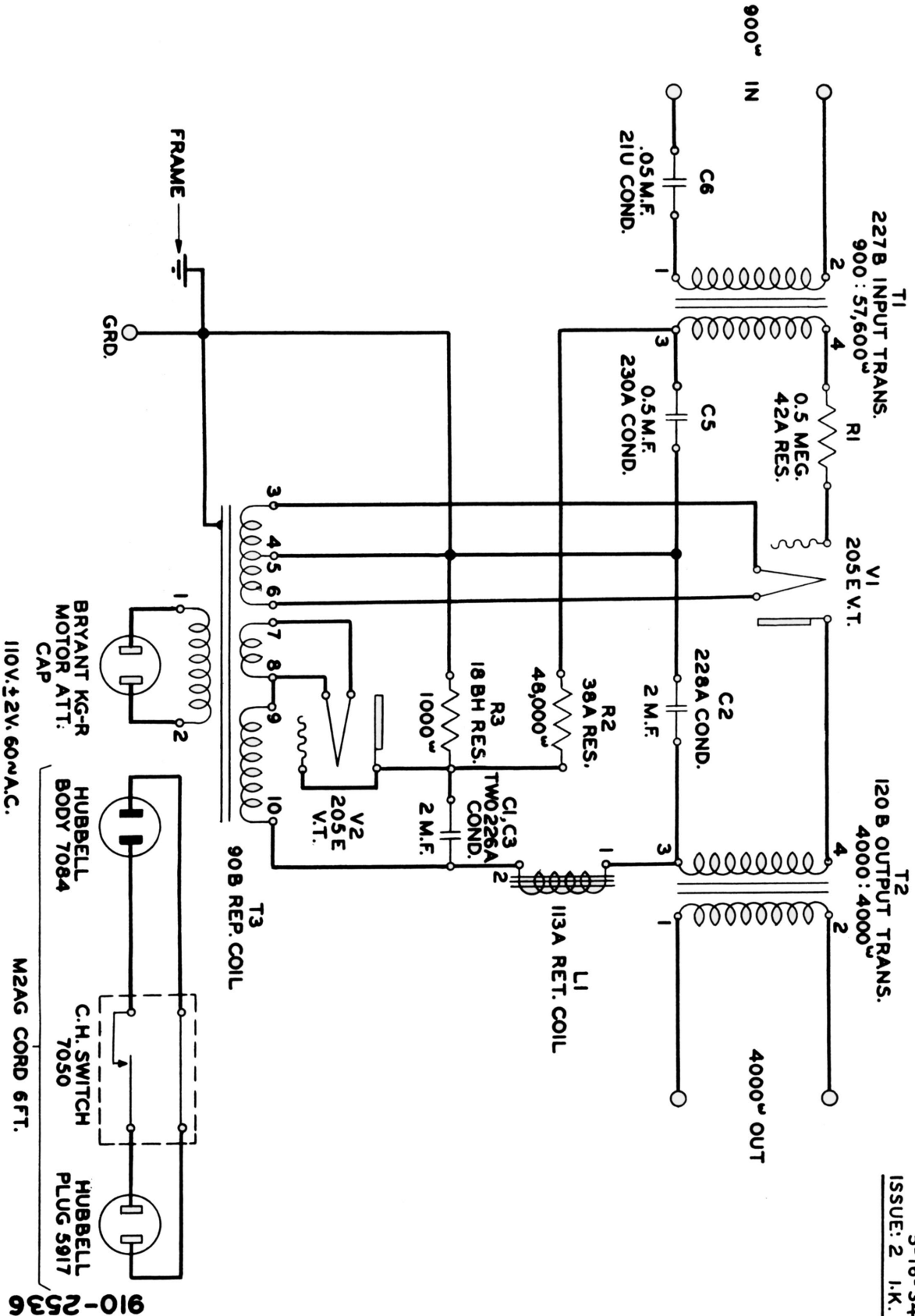


No.52-A AMPLIFIER

BELL TELEPHONE LABORATORIES,
INCORPORATED

52A AMPLIFIER SCHEMATIC CIRCUIT DIAGRAM



910-2536
2-14-34 I.K.
5-16-34 I.K.
ISSUE: 2 I.K.

910-2536