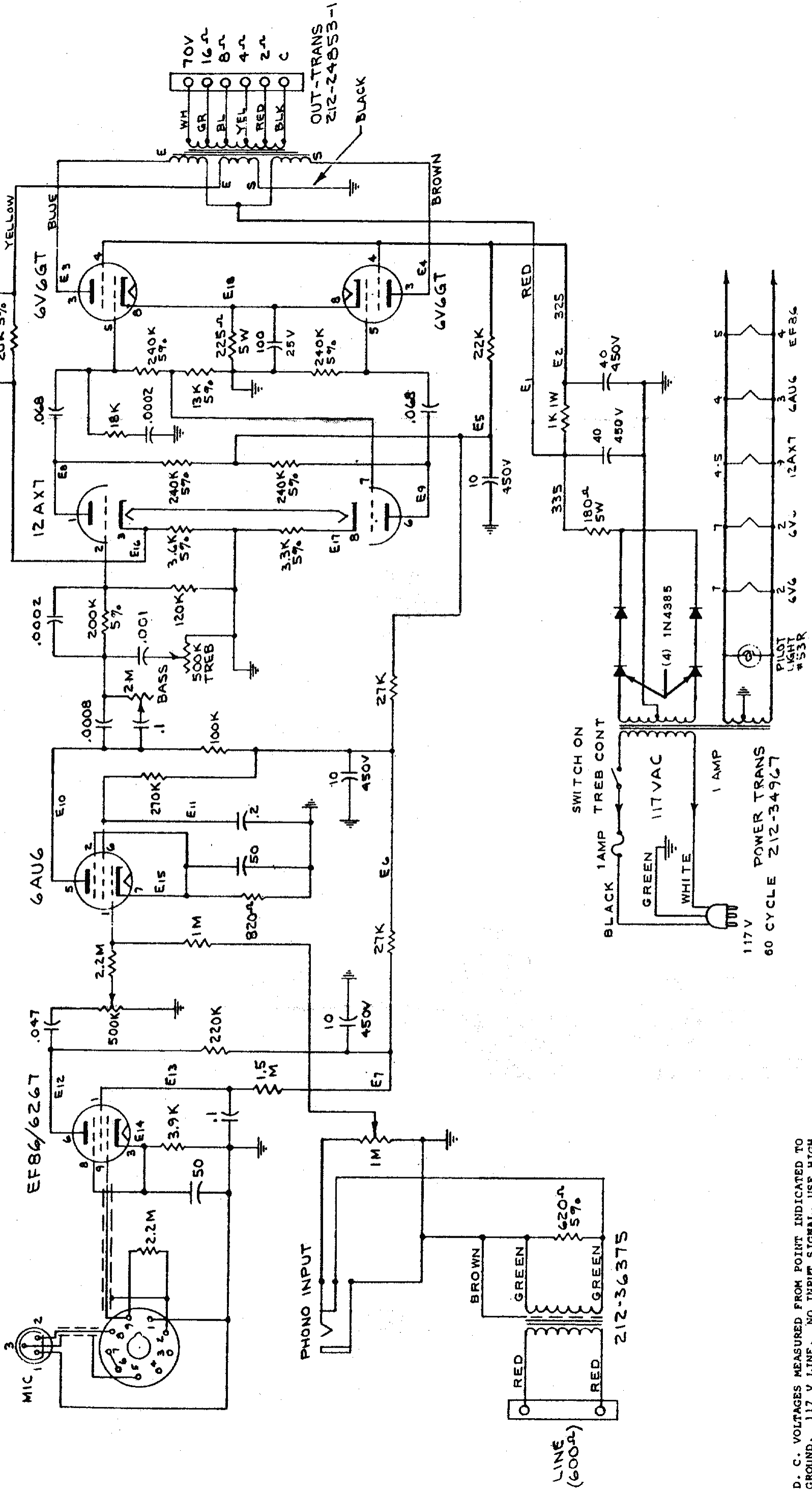


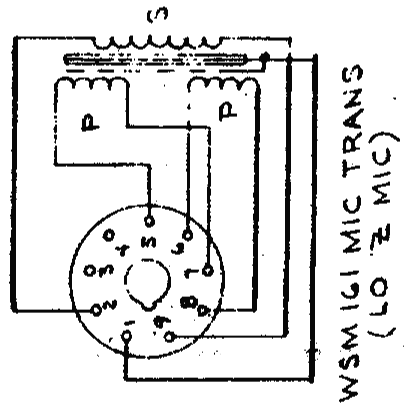
NOTE

AS SHOWN, MIC TRANS SOCKETS ARE WIRED FOR 75 TO 200 OHM MICS. TO CONVERT FOR 20 TO 75 OHM MICS REMOVE JUMPER FROM 6 TO 7 ON UNDER SIDE OF SOCKET AND INSTALL 2 JUMPERS FROM 5 TO 6 AND 7 TO 8



D. C. VOLTAGES MEASURED FROM POINT INDICATED TO GROUND. 117 V LINE. NO INPUT SIGNAL. USE HIGH RESISTANCE 20 K Ω-VOLT METER OR VTVM.

POINT	DC VOLTS	POINT	DC VOLTS
E-1	325	E-11	8.4
E-2	315	E-12	12.1
E-3, E-4	325	E-13	10
E-5	265	E-14	1.9
E-6	215	E-15	1.4
E-7	202	E-16	1.3
E-8	164	E-17	1.3
E-9	165	E-18	17.2
E-10	83		



MODEL TP 14
SCHEMATIC DIAGRAM
WEBSTER ELECTRIC CO.