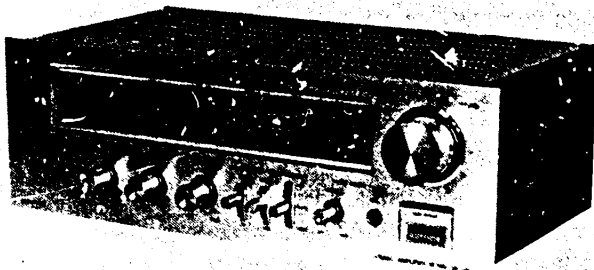


TOSHIBA

STEREO AMPLIFIER

SB-445



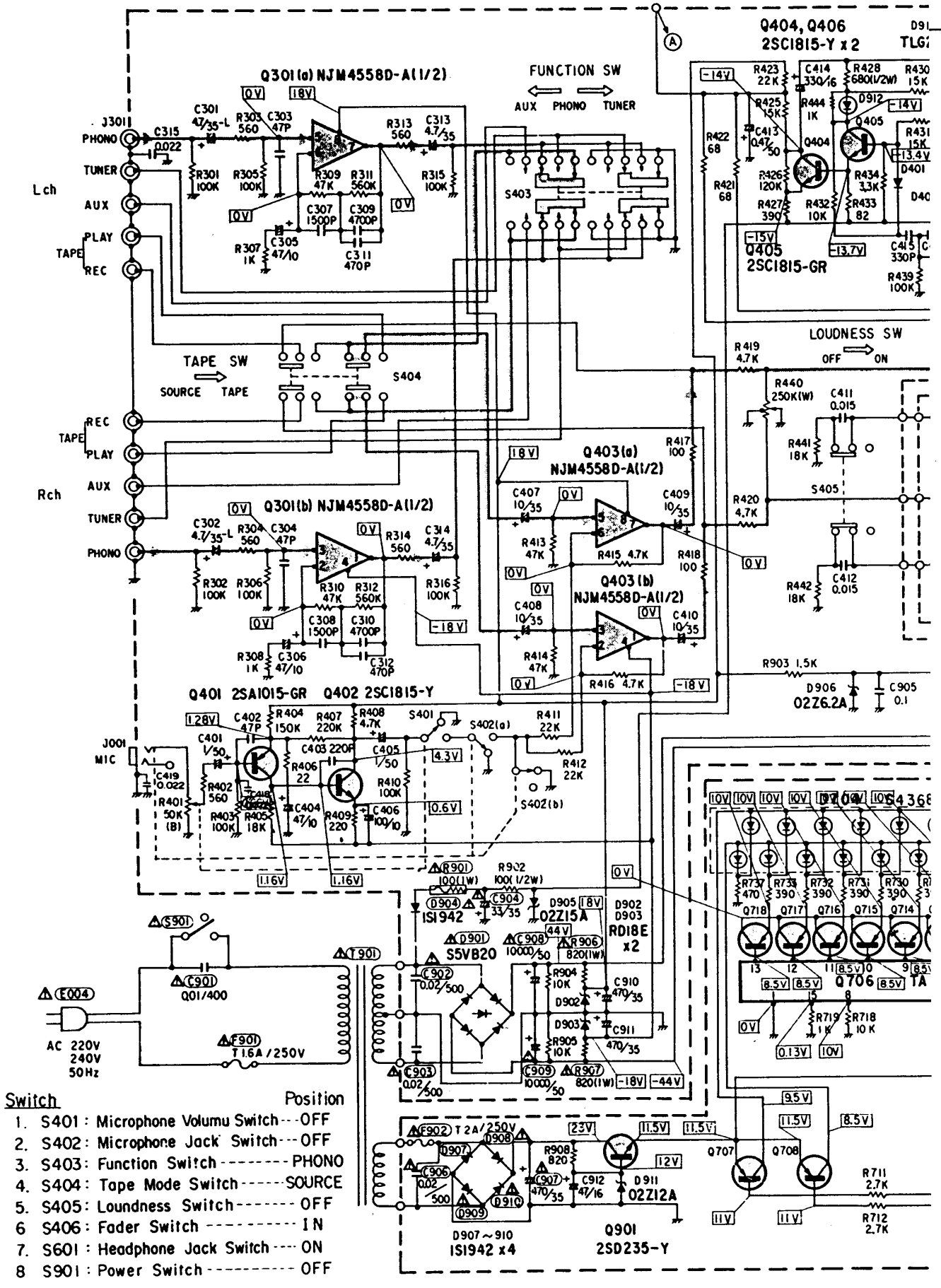
SPECIFICATIONS

<p>■ General</p> <p>Power supply: 220V ~ 50 Hz for Europe or 240V ~ 50 Hz for United Kingdom & Australia</p> <p>Power consumption: 370W</p> <p>Weight: 6.2 kg</p> <p>Dimensions (W x H x D): 420 x 146 x 257 (mm)</p>		<p>Frequency response: 7 Hz ~ 50 kHz (± 2 dB)</p> <p>Power band width (IHF): 10 Hz ~ 35 kHz</p> <p>Damping factor: 25</p> <p>S/N (IHF A Network): 95 dB (TUNER/AUX) 75 dB (PHONO)</p>
<p>■ Amplifier</p> <p>Continuous power output 20 Hz ~ 20 kHz both ch. driven: 45W x 2 (4 ohm), 40W x 2 (8 ohm)</p> <p>1 kHz both ch. driven: 60W x 2 (4 ohm), 50W x 2 (8 ohm)</p> <p>Total harmonic distortion: 0.1% (at rated power 8 ohm)</p>		<p>Input sensitivity/ impedance: PHONO 2.5mV/47K ohm TUNER 150mV/47K ohm AUX/TAPE 150 mV/47K ohm MIC 1.0mV/47K ohm</p> <p>Output level: TAPE REC 150mV PRE OUT 1V</p> <p>Tone control: BASS (at 100 Hz) ± 9 dB TREBLE (at 10 kHz) ± 9 dB</p> <p>Frequency response: PHONO 20 Hz ~ 20 kHz ± 0.5 dB (RIAA equalization)</p> <p>Phono overload level: 150mV (RMS)</p>

Specifications are subject to change without notice.

TE, TU, AY

7. SCHEM

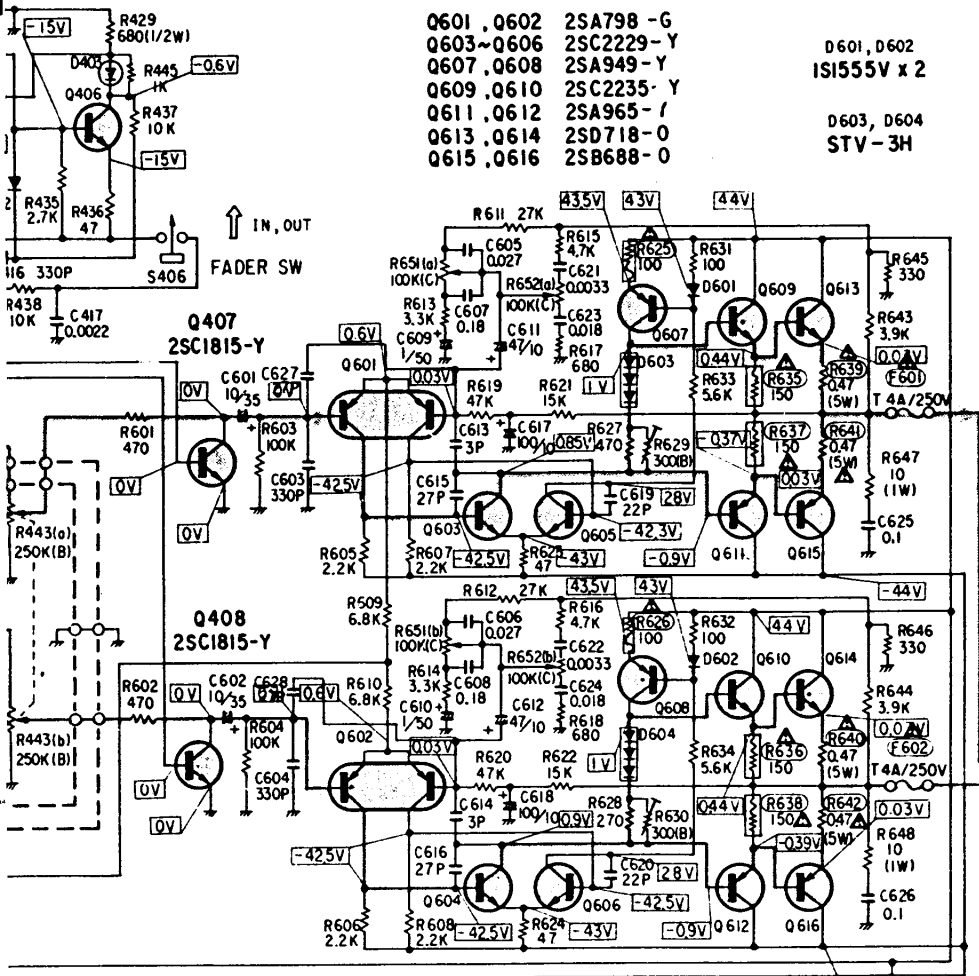


- Switch Position**
1. S401 : Microphone Volume Switch --- OFF
 2. S402 : Microphone Jack Switch --- OFF
 3. S403 : Function Switch --- PHONO
 4. S404 : Tape Mode Switch --- SOURCE
 5. S405 : Loudness Switch --- OFF
 6. S406 : Fader Switch --- IN
 7. S601 : Headphone Jack Switch --- ON
 8. S901 : Power Switch --- OFF

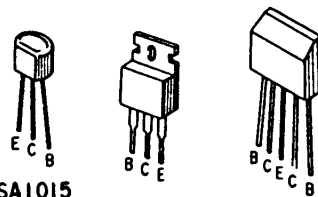
Figur

ATIC DIAGRAM

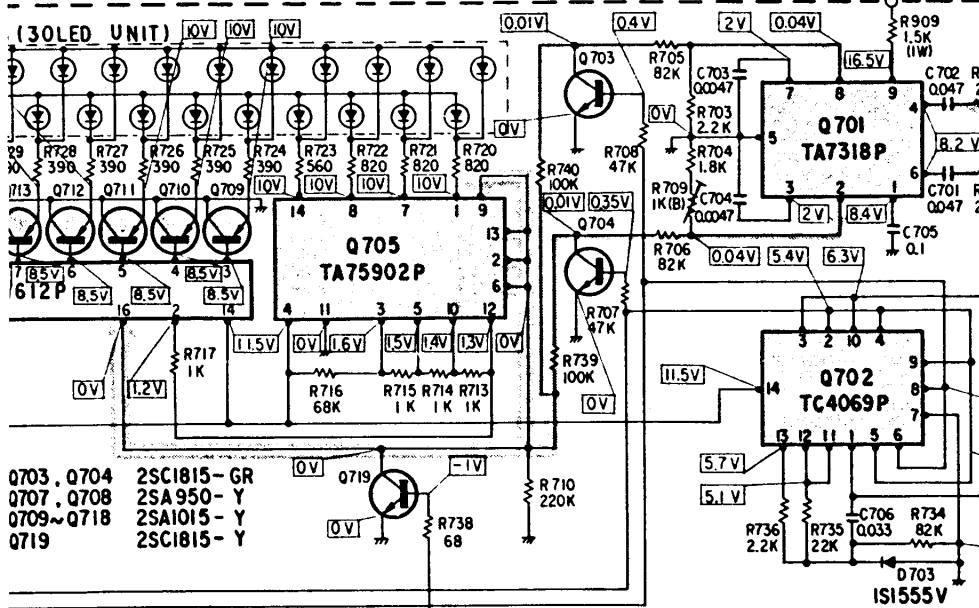
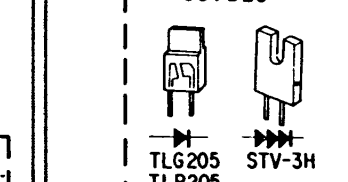
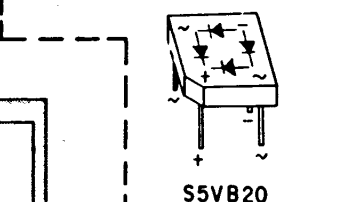
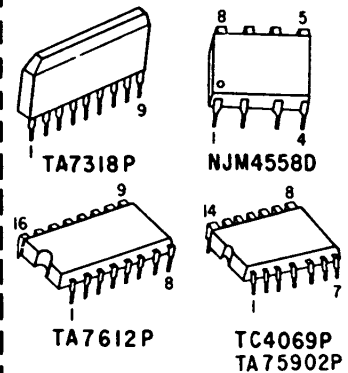
D401, D402 D403
 05 ISI555Vx2 TLR205



- | | | | |
|------------|------------|------------|-------------|
| Q601, Q602 | 2SA798 -G | D601, D602 | ISI555V x 2 |
| Q603~Q606 | 2SC2229 -Y | D603, D604 | STV-3H |
| Q607, Q608 | 2SA949 -Y | | |
| Q609, Q610 | 2SC2235 -Y | | |
| Q611, Q612 | 2SA965 -Y | | |
| Q613, Q614 | 2SD718 -0 | | |
| Q615, Q616 | 2SB688 -0 | | |



- 2SA1015
- 2SA949
- 2SA950
- 2SA965
- 2SC1815
- 2SC2235
- 2SC2229
- 2SD235
- 2SA798
- 2SB688
- 2SD718



- | | |
|------------|-------------|
| Q703, Q704 | 2SC1815 -GR |
| Q707, Q708 | 2SA950 -Y |
| Q709~Q718 | 2SA1015 -Y |
| Q719 | 2SC1815 -Y |

Lch Signal Path
 Rch Signal Path

CAUTION: The Δ mark, the symbol No. circled with rectangle in the schematic diagram and the shaded area in the parts list designate components which have special characteristics important for safety and should be replaced only with types identical to those in the original circuit or specified in the parts list.