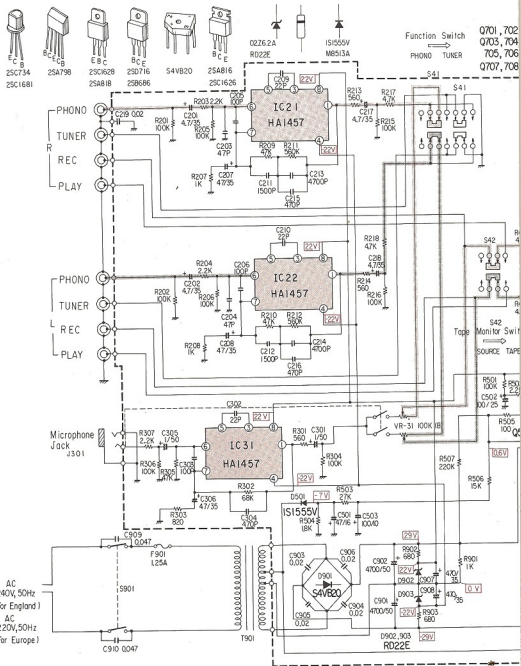


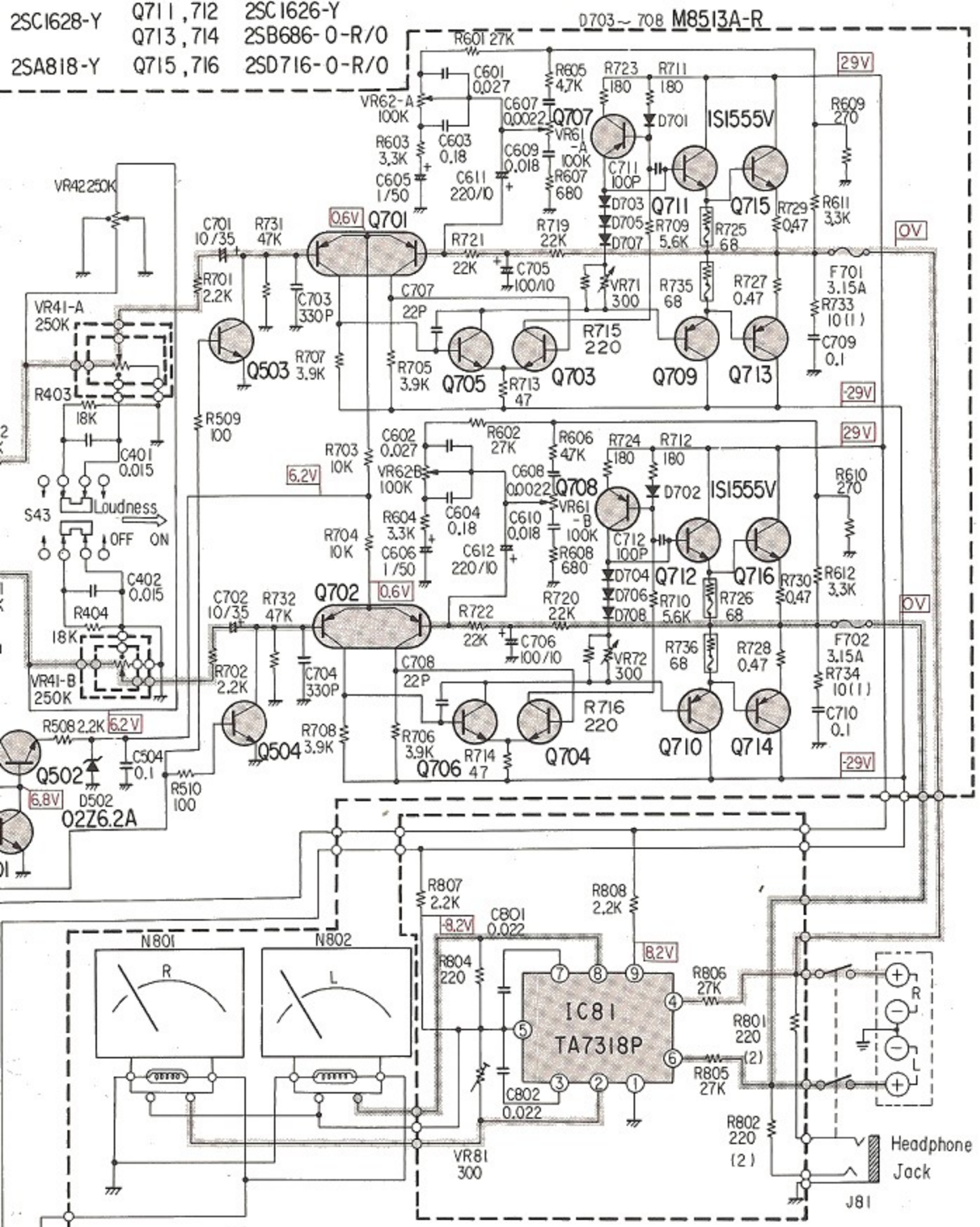
6. SCHEMATIC



Q701, 702
Q703, 704
705, 706
Q707, 708

DIAGRAM

- 2SA798-G Q709, 710 2SA816-Y
- 2SC1628-Y Q711, 712 2SC1626-Y
- 2SA818-Y Q715, 716 2SD716-0-R/0



- S41 Lever Switch For Function (PHONO Position)
- S42 Lever Switch For Tape Monitor (SOURCE Position)
- S43 Lever Switch For Loudness (OFF Position)
- S901 Lever Switch For Power (OFF Position)

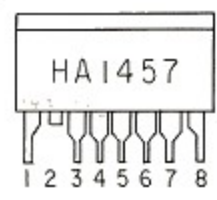


Figure 9.