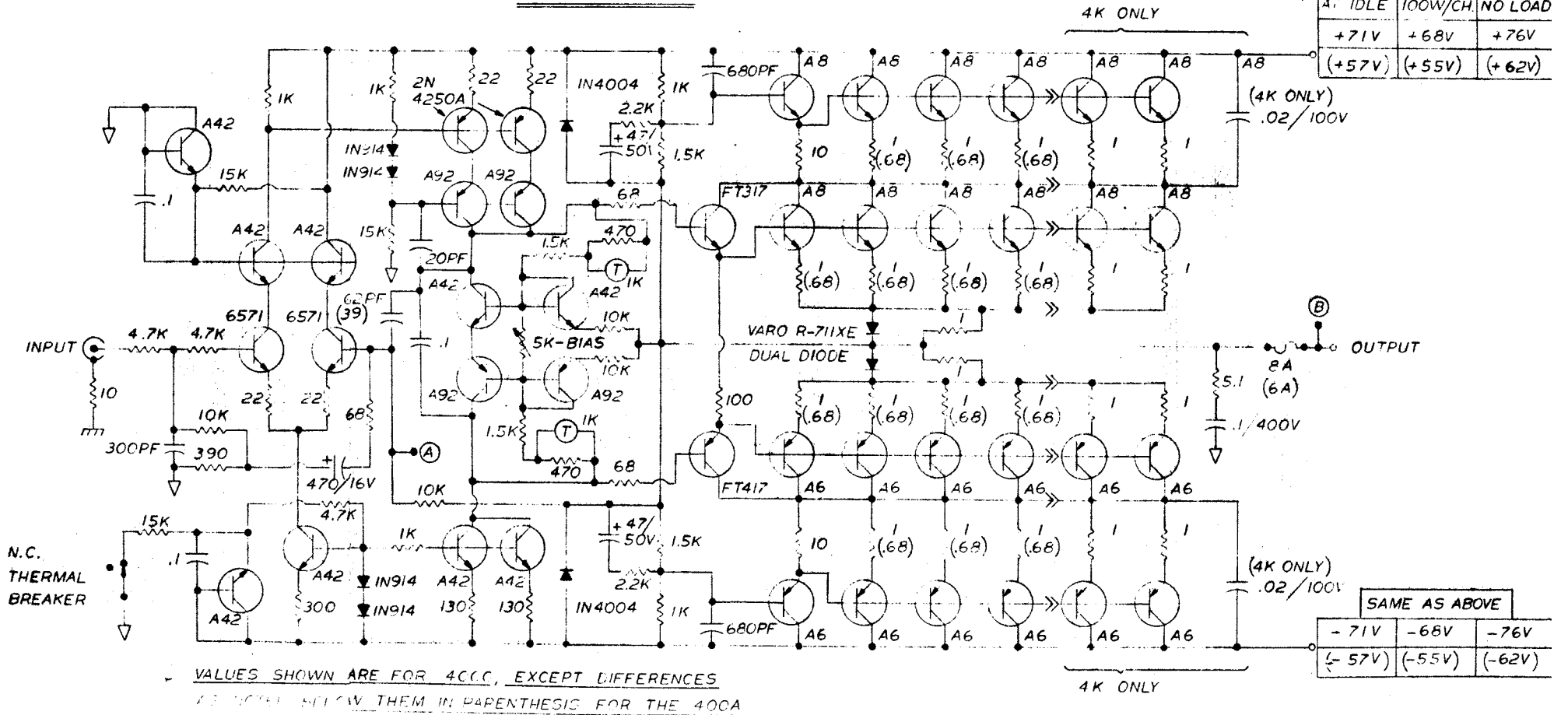


THRESHOLD MODEL 400A AND 4000

PCB NO. 053-0308



OUTPUTS LOADED INTO 2 OHMS		SUPPLY ONLY,
AT IDLE	100W/CH	NO LOAD
+71V	+68V	+76V
(+57V)	(+55V)	(+62V)

SAME AS ABOVE		
-71V	-68V	-76V
(-57V)	(-55V)	(-62V)