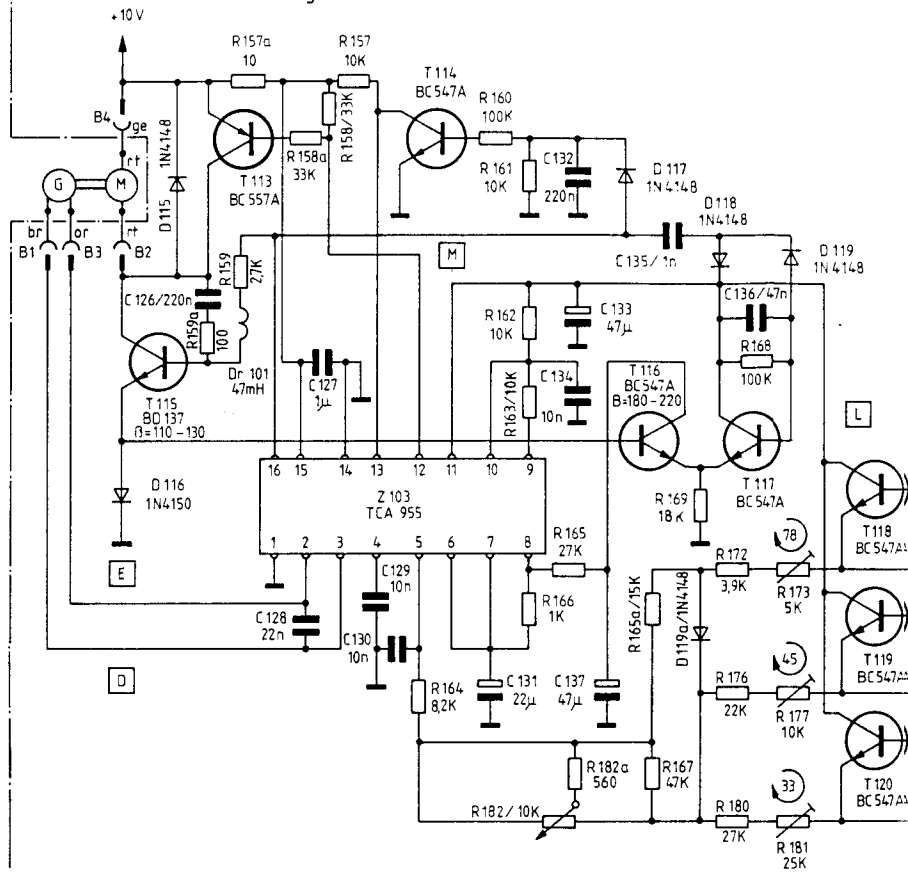
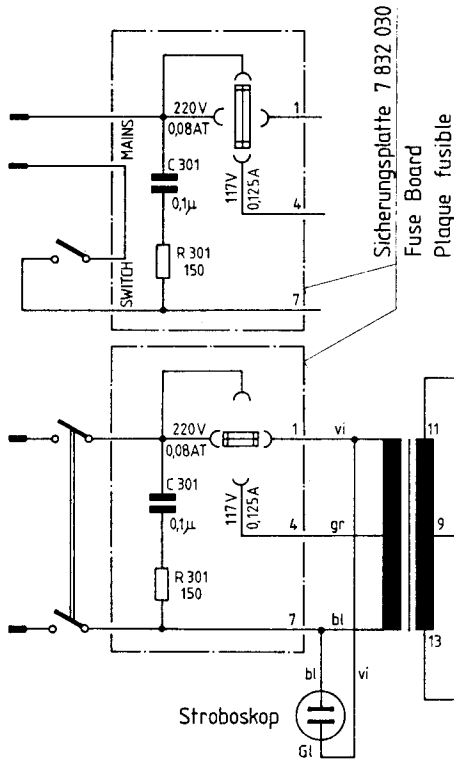
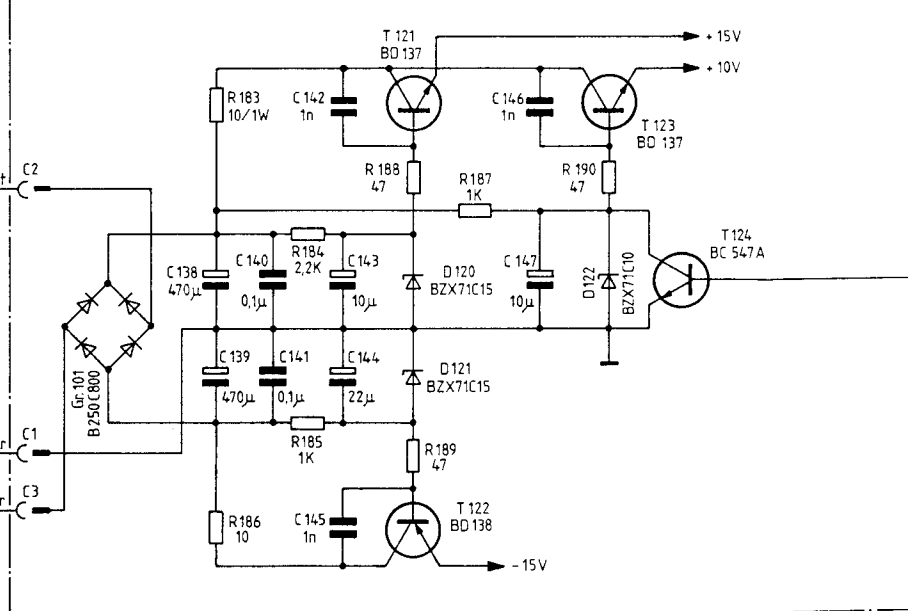


Drehzahlregelung
 Motor Control
 Regulateur moteur d'entraînement

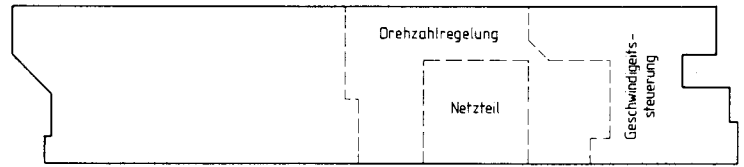
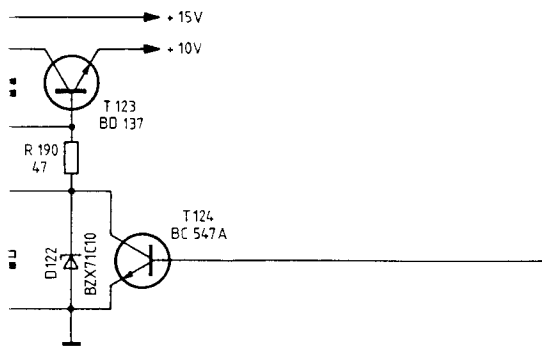
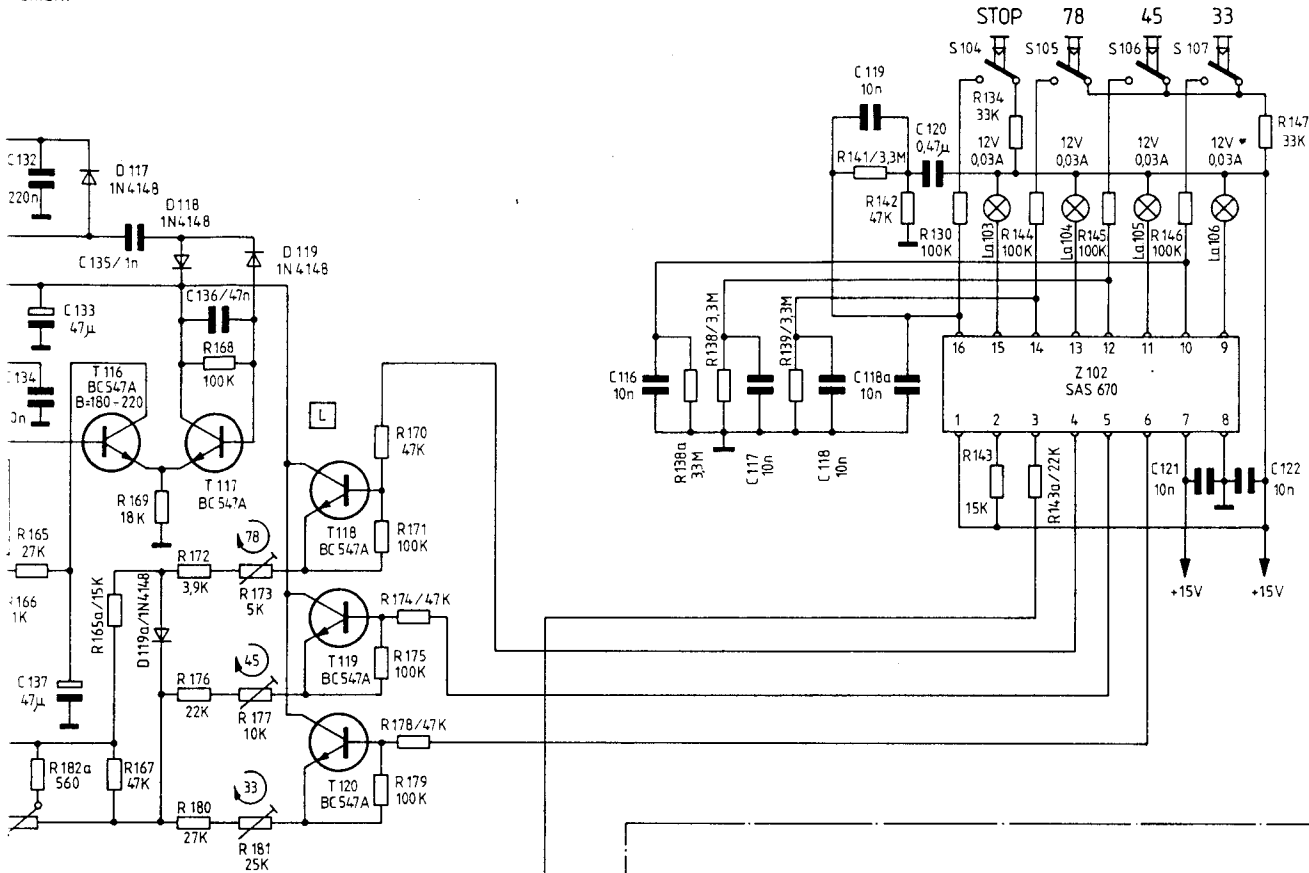


Netzteil
 Power Supply
 Alimentation



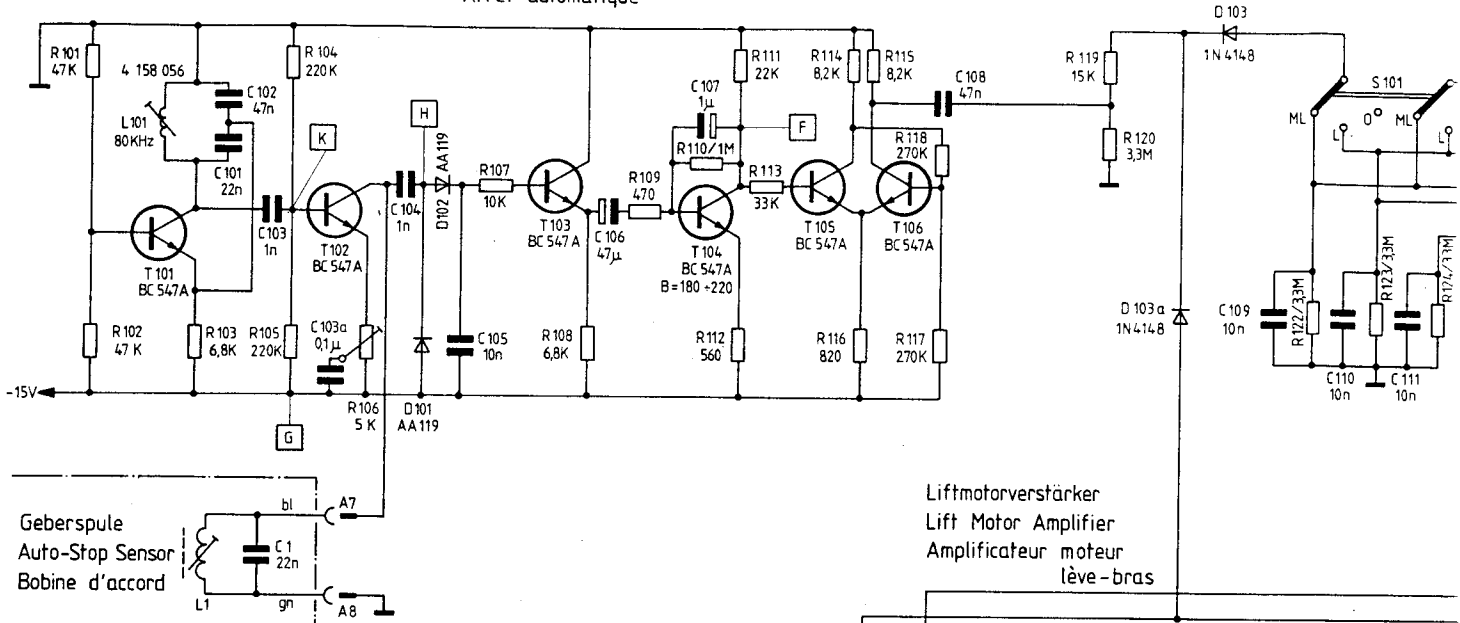
Geschwindigkeitssteuerung
 Speed Control
 Commande de vitesse

nement

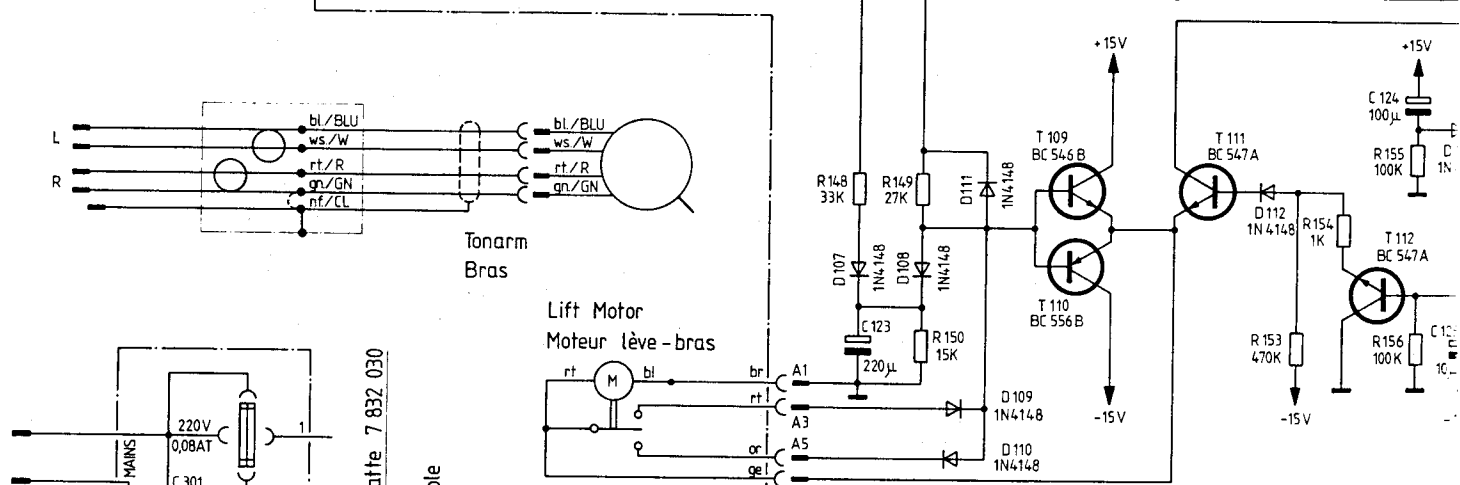


Geräte ohne Tonarmlift
 Units without tone arm lift
 Appareil sans lève-bras

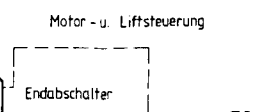
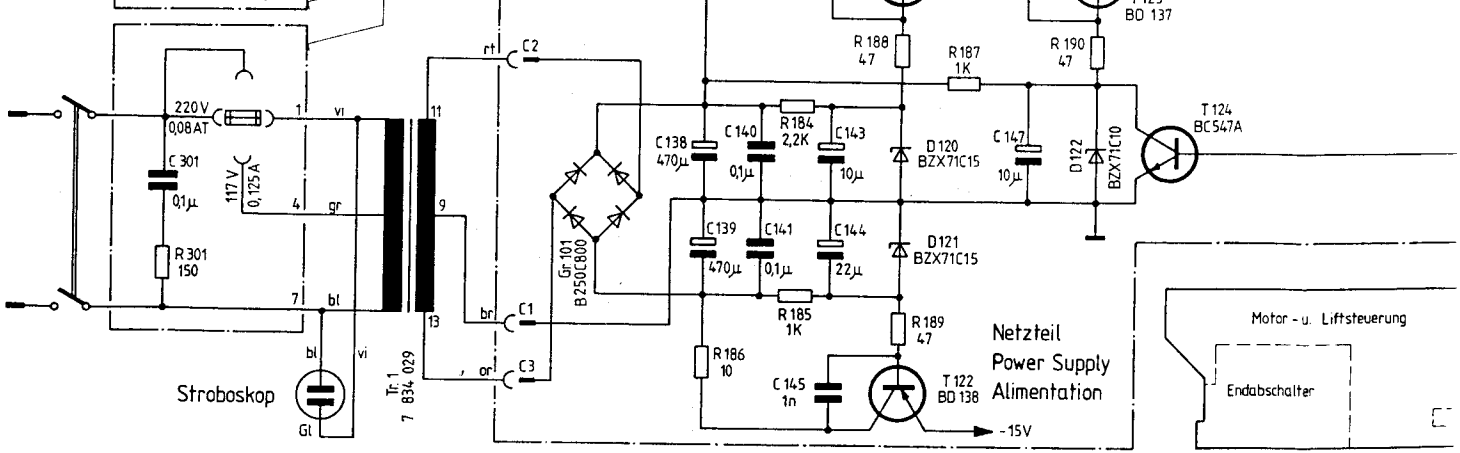
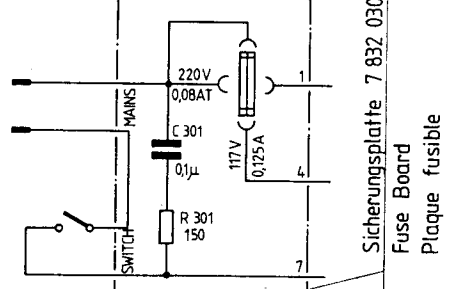
Endabschalter
 Auto-Stop
 Arrêt automatique



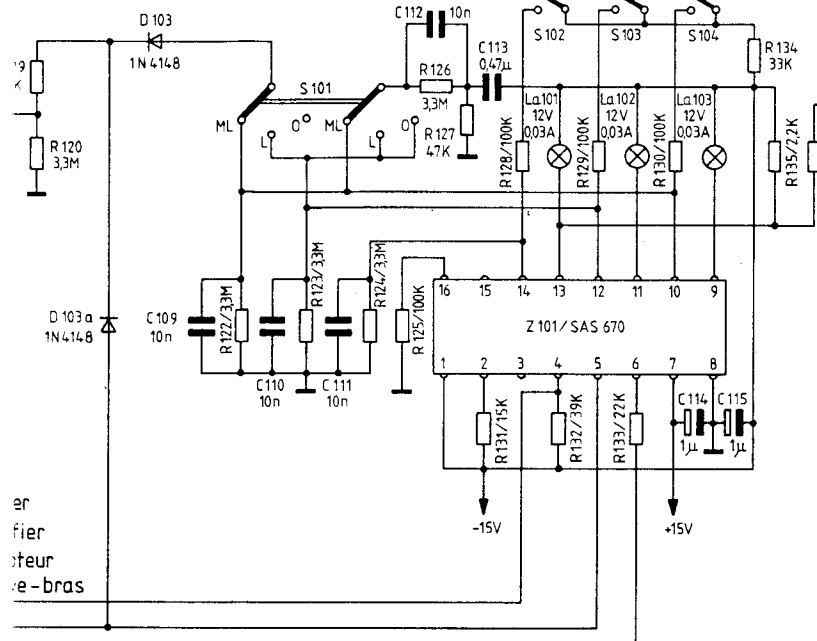
Liftmotorverstärker
 Lift Motor Amplifier
 Amplificateur moteur
 lève-bras



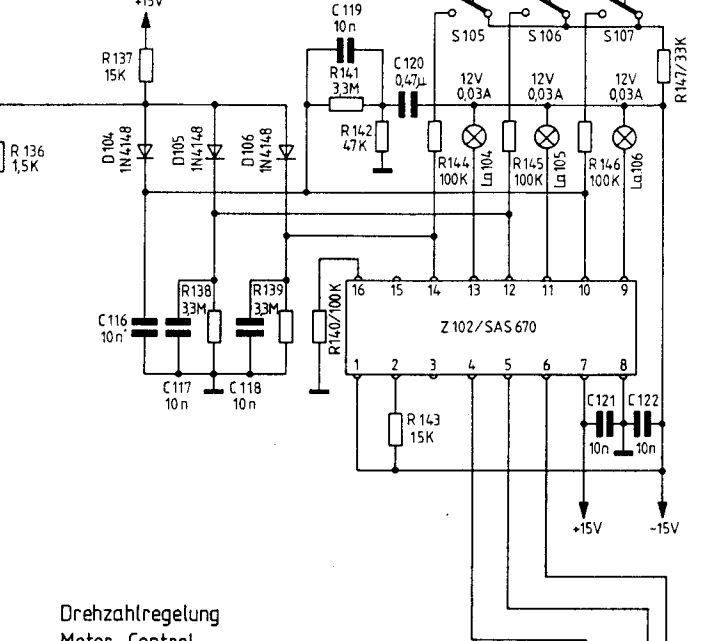
Lift Motor
 Moteur lève-bras



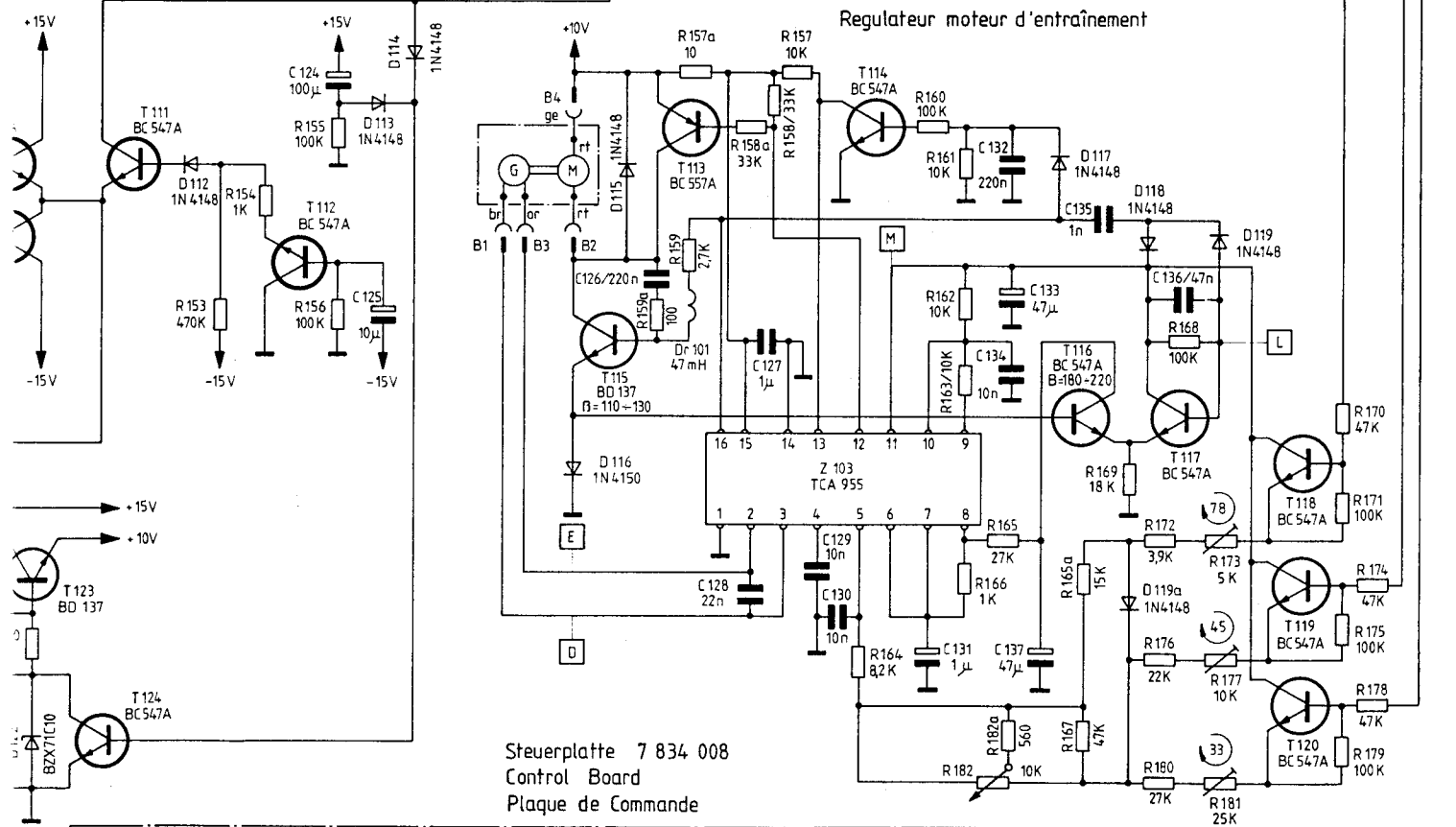
Motor- u. Liftsteuerung
 Motor and Lift Control
 Commande moteur et lève-bras



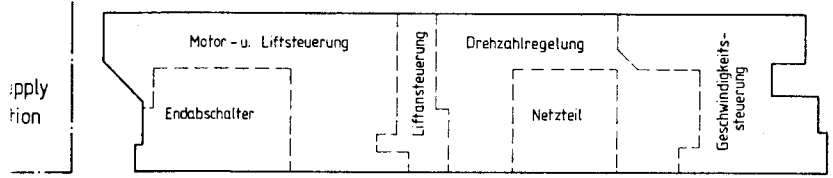
Geschwindigkeitssteuerung
 Speed Control
 Commande de vitesse



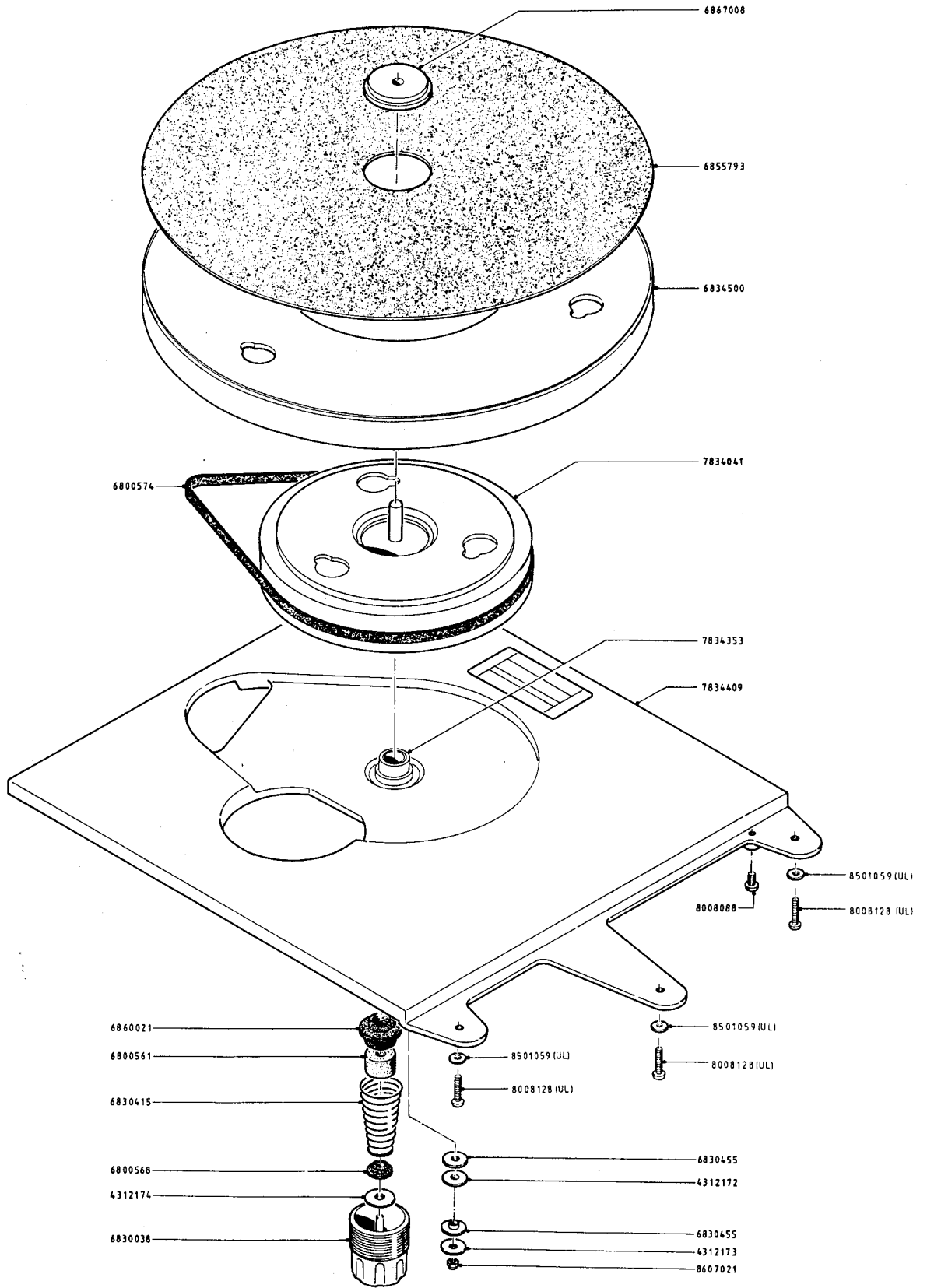
Drehzahlregelung
 Motor Control
 Regulateur moteur d'entraînement

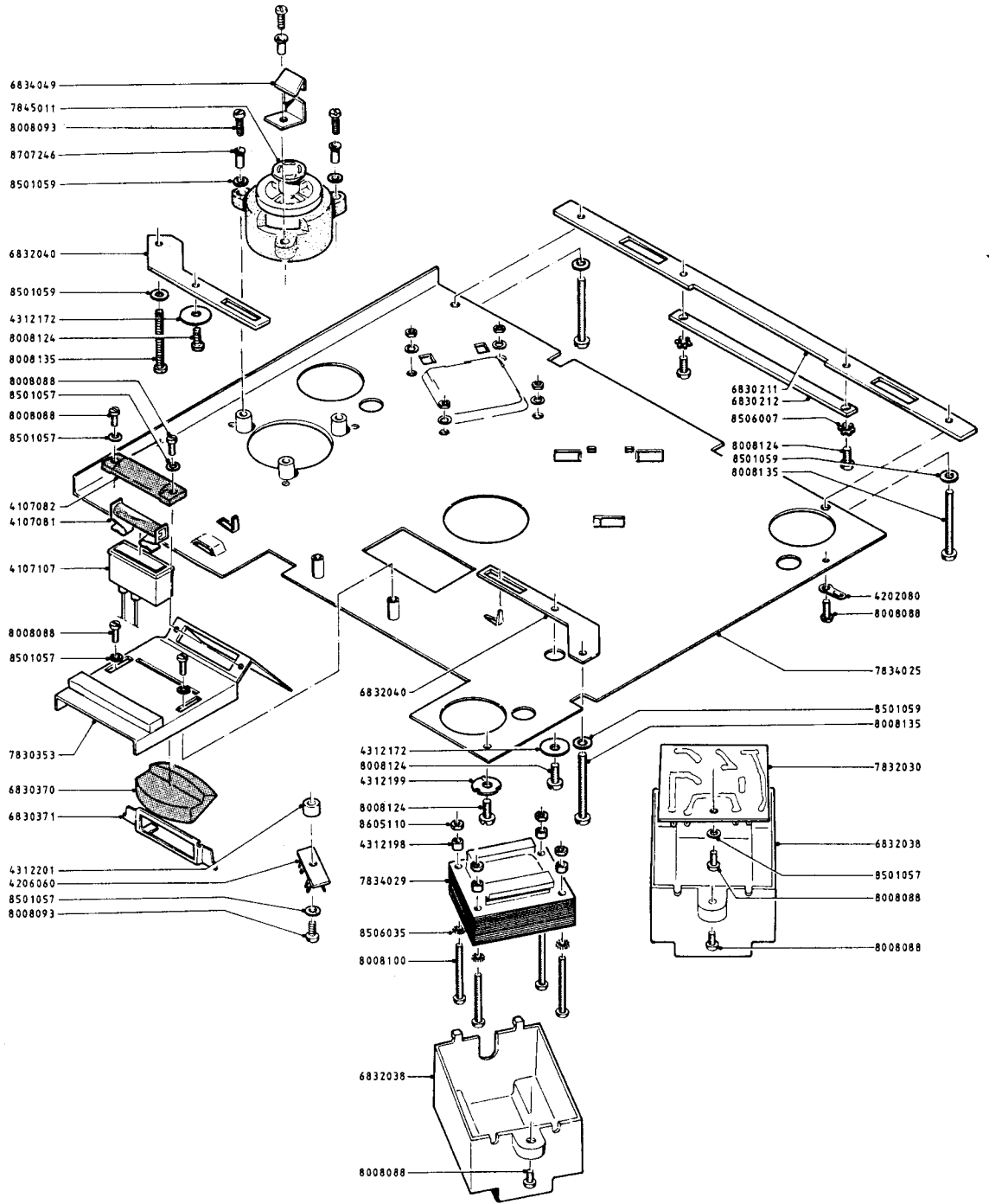


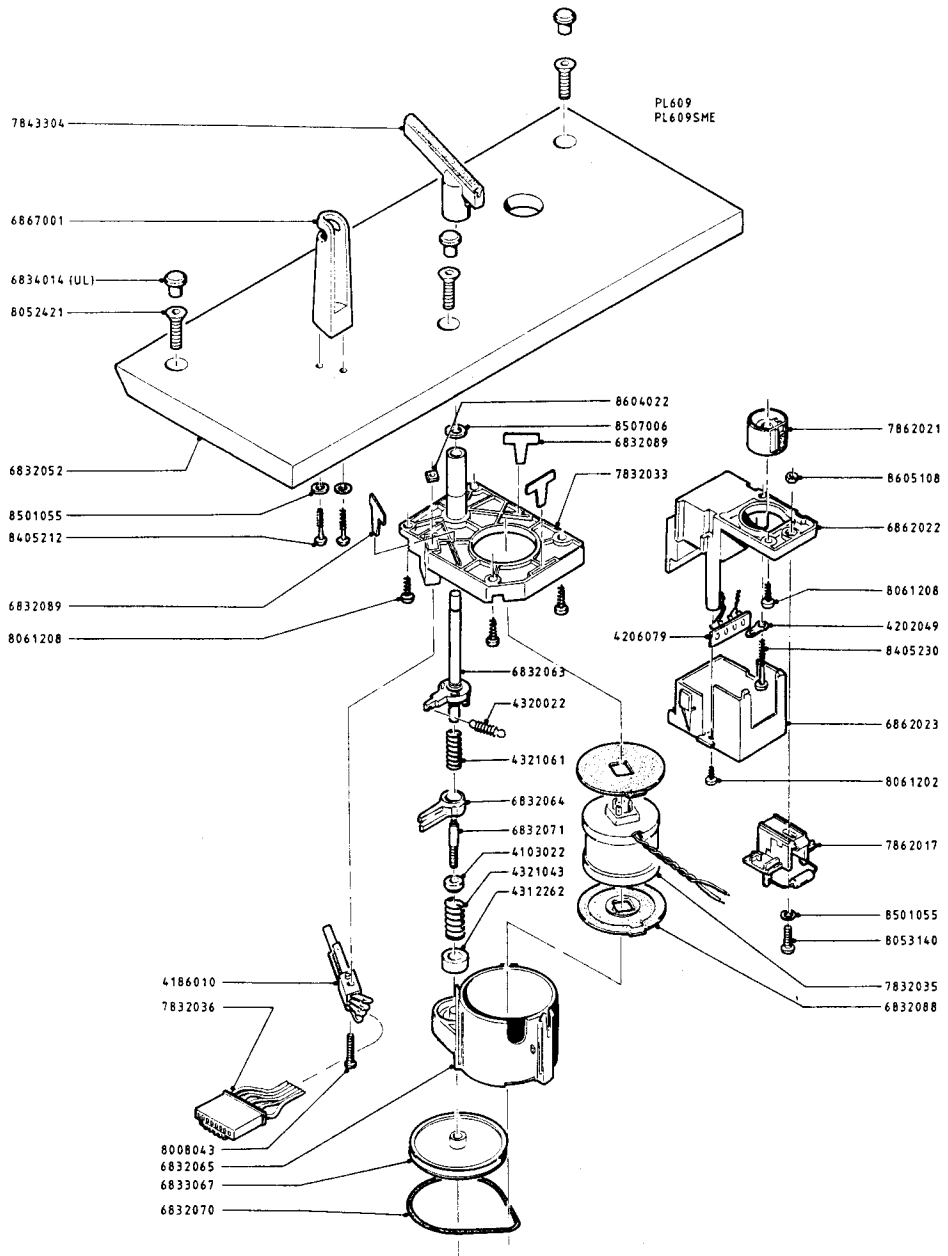
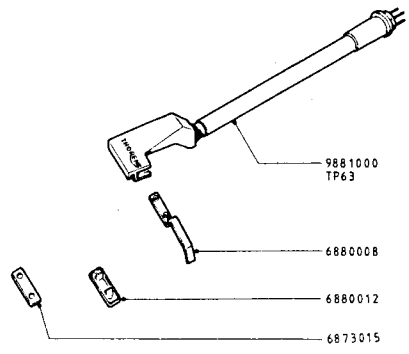
Steuerplatte 7 834 008
 Control Board
 Plaque de Commande

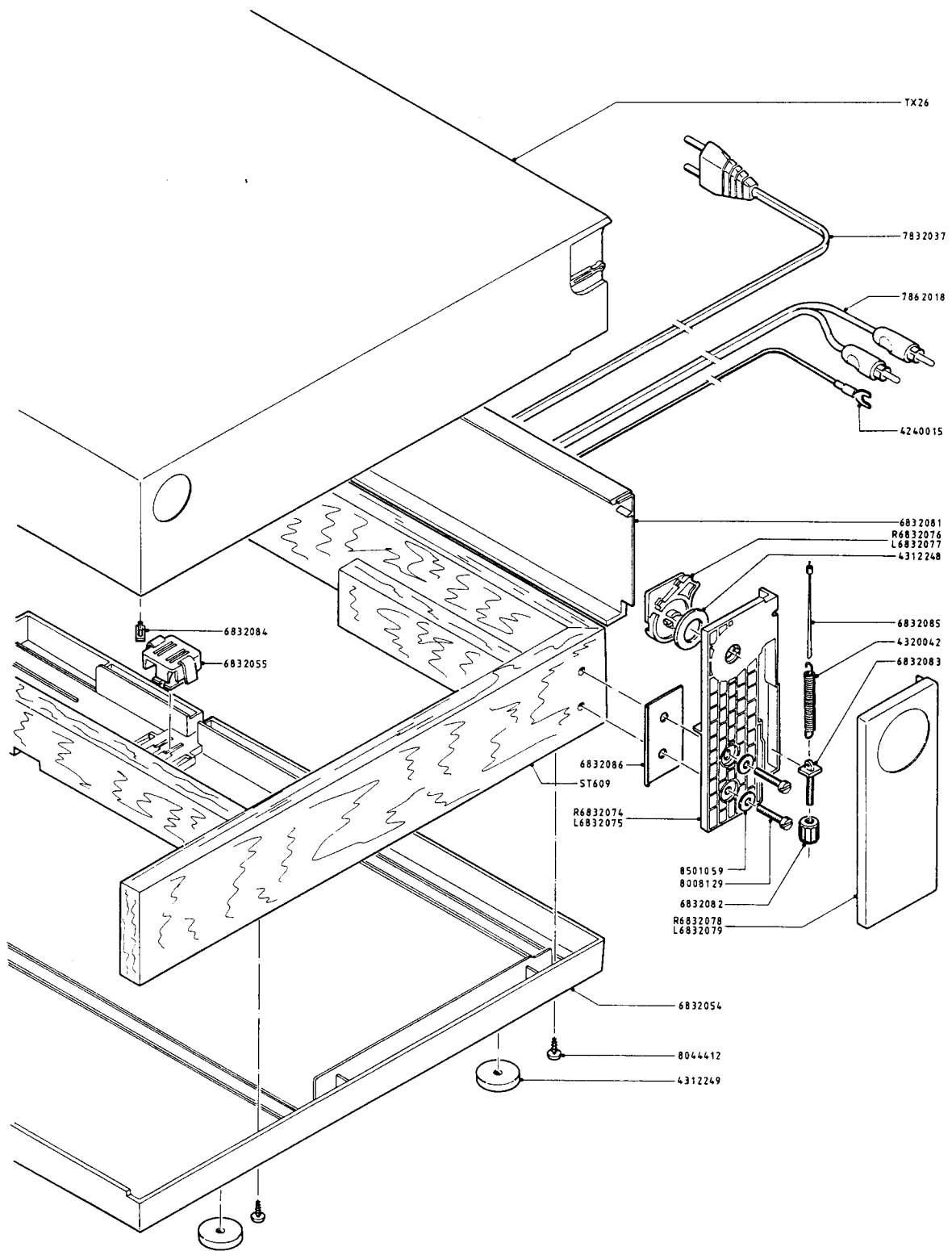


Supply
 tion









4103022	Spacer	6832074	Mounting body, right
4107081	Neon lamp	6832075	Mounting body, left
4107082	Lens	6832076	Rider, right
4107107	Neon lamp socket	6832077	Rider, left
4107110	Pushbutton lamp	6832078	Hinge cover, right
4182077	Mains switch	6832079	Hinge cover, left
4182086	Mains switch, UL	6832080	Dust cover TX 26
4186010	Contact assembly	6832081	Rear panel
4202049	Solder lug	6832082	Adjusting nut
4202080	Solder lug	6832083	Adjusting screw
4206060	Terminal strip	6832084	Bumper
4206079	Min. terminal strip	6832085	Tension cord
4312172	Washer 1.5 x 16 x 4.2	6832086	Pressure plate
4132173	Washer 1.5 x 16 x 3.1	6832088	Membrane assy.
4312174	Washer 1.0 x 20 x 5.4	6832089	Wedge
4312198	Spacer 4 x 6	6833067	Pulley
4312199	Washer 1.5 x 16 x 4.2	6834006	Front panel
4312201	Spacer 12 x 6	6834009	UL screen
4312248	Washer 1.5 x 24 x 15	6834014	UL bolt head
4312249	Felt foot	6834049	Belt fork
4312262	Spacer 5 x 12	6834500	Outer platter
4320022	Tension spring	6855793	Rubber mat
4320042	Tension spring	6860021	Suspension grommet
4321043	Pressure spring	6862022	Sensor frame
4321061	Pressure spring	6862023	Plastic shield
6800561	Foam plastic damper	6867001	Tone arm rest
6800568	Suspension grommet	6867008	Adapter
6800574	Drive belt	6873015	Spacers
6830038	Adjustment cup	6880008	Handle
6830211	Adjustment bar	6880012	Guide spacer
6830212	Bar	7830353	Lamp bracket
6830370	Prism	7832003	Pushbutton assy.
6830371	Prism bracket	7832012	Lamp socket
6830376	Stroboscope pane	7832015	Spring catch
6830415	Conical spring	7832021	Mirror holder
6830455	Rubber washer	7832029	Transformer assy.
6832001	Base ST 609	7832030	Fuse board
6832002	Control panel	7832033	Lift device base
6832003	Stroboscope frame	7832035	Lift motor assy.
6832021	Angle plate	7832036	Lift cable assy.
8832022	Mounting block, right	7832037	Power cord, 50 Hz
6832026	Release clip	7832038	Power cord, 60 Hz
6832027	Grounding spring	7832102	Large knob
6832030	Mounting block, left	7832103	Small knob w/o arrow
6832038	Protective cover	7832104	Small knob with arrow
6832040	Adjustment bracket	7834008	Circuit board
6832050	Tone arm board PL 609	7834009	Circuit board BC
6832054	Bottom cover	7834025	Chassis plate
6832055	Tension relief	7834041	Inner platter (*)
6832063	Lift rod assy.	7834353	Platter bearing (*)
6832064	Switching nut	7834409	Suspended chassis
6832065	Motor housing	7843304	Tone arm platform
6832070	Drive belt	7845011	Motor assy.
6832071	Travel spindle	7862017	Sensing coil assy.

(*) -- specify spindle diameter (7 or 10 mm) when ordering

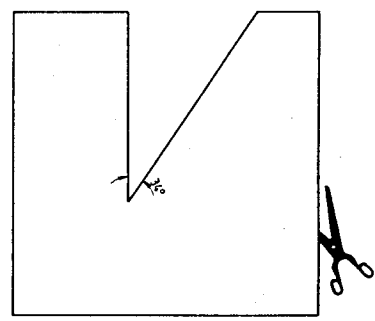
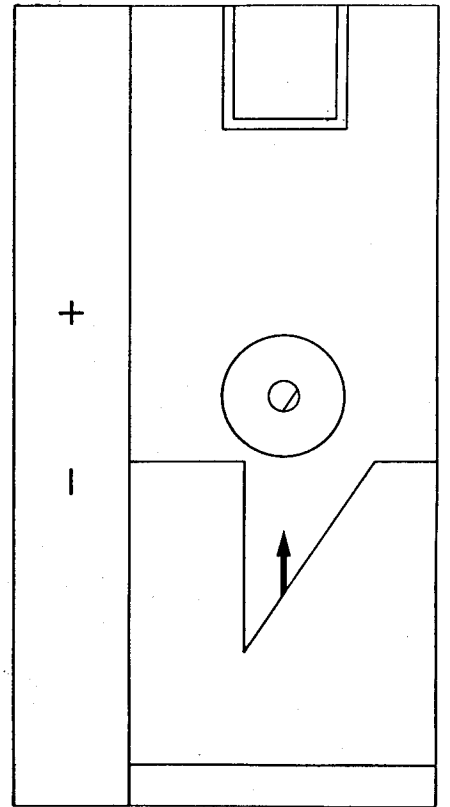
7862018	Audio cable			
7862021	Ferrite core assy.			
8008043	Screw	DIN 84	M 2 x 12	
8008088	Screw	DIN 84	M 3 x 6	
8008093	Screw	DIN 84	M 3 x 16	
8008100	Screw	DIN 84	M 3 x 35	
8008121	Screw	DIN 84	M 4 x 5	
8008124	Screw	DIN 84	M 4 x 10	
8008128	Screw	DIN 84	M 4 x 18	
8008129	Screw	DIN 84	M 4 x 20	
8008135	Screw	DIN 84	M 4 x 40	
8044412	Screw	DIN 7971	3.5 x 13	
8052421	Screw	DIN 7991	M 5 x 20	
8053140	Screw	DIN 7985	M 2.5 x 8	
8053164	Screw	DIN 7985	M 3 x 6	
8053165	Screw	DIN 7985	M 3 x 8	
8061202	Screw	DIN 7981	2.2 x 6.5	
8061207	Screw	DIN 7981 B	2.9 x 9.5	
8061208	Screw	DIN 7981 B	2.9 x 13	
8405212	Screw	DIN 7996	M 2.4 x 20	
8405230	Screw	DIN 7996	M 3 x 25	
8501055	Washer	DIN 125 A	2.7	
8501057	Washer	DIN 125 A	3.2	
8501059	Washer	DIN 125 A	4.3	
8506007	Lock washer	DIN 6797 A	4.3	
8506035	Lock washer	DIN 6797 J	3.2	
8507006	Clip washer	DIN 6799	3.2	
8604022	Square nut	DIN 562	M 2.0	
8605108	Hex nut	DIN 934	M 2.5	
8605110	Hex nut	DIN 934	M 3.0	
8607021	Nut	DIN 985	M 3	
8707246	Rivet 4 x 0.4 x 10			
9881000	Cartridge wand TP 63			

4190080	Fuse 0.125 A high-lag, 250 V		
4190083	Fuse 0.08 A high-lag, 250 V		
4240015	Grounding wire with spade connector		
4290120	Spade connector		
5310008	Mobil DTE oil		
5511098	Packing carton		
6832028	Tone arm hum-guard pin connector		
7832032	Lift assembly		
7832048	Packing set		
7832049	Styrofoam packing		
7880003	Plastic bag with cartridge mounting parts		
9876100	Tone arm bearing assembly TP 16/3		

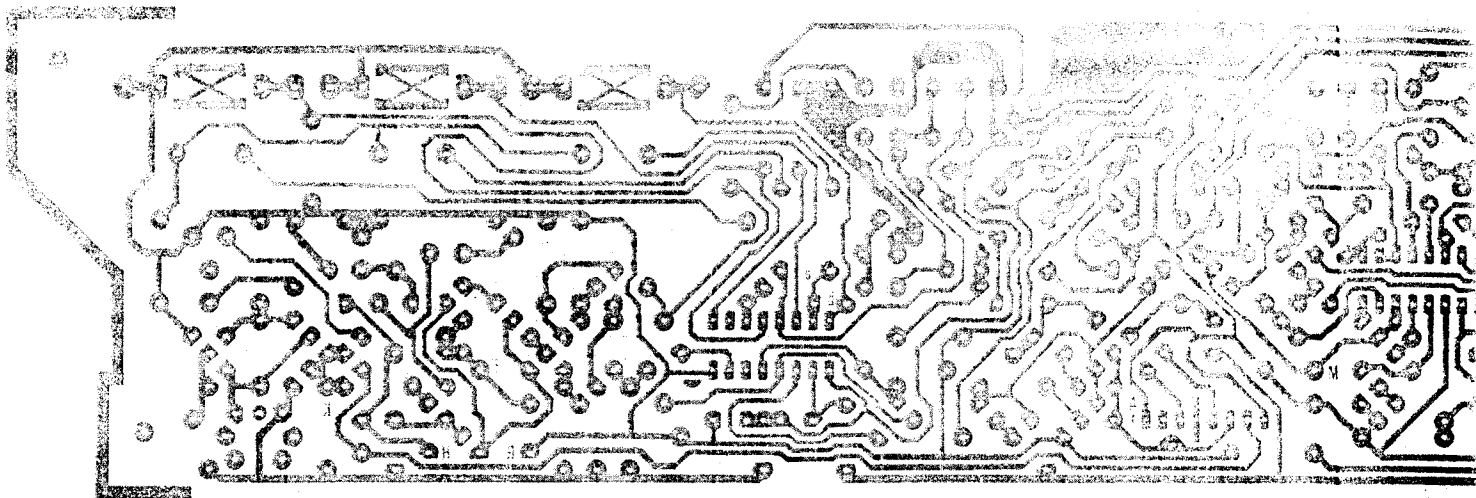
In.



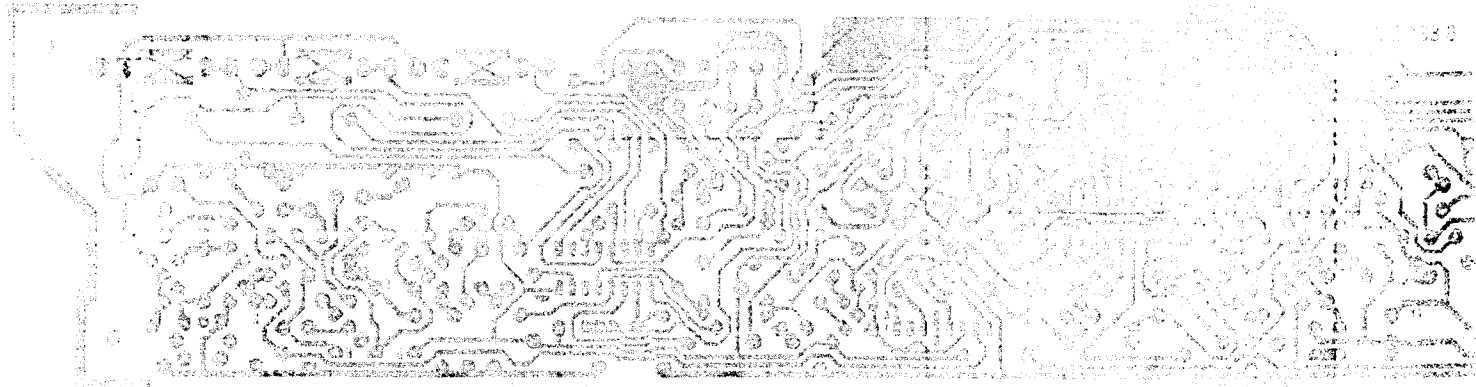
mm



2



3



STD 488 6

