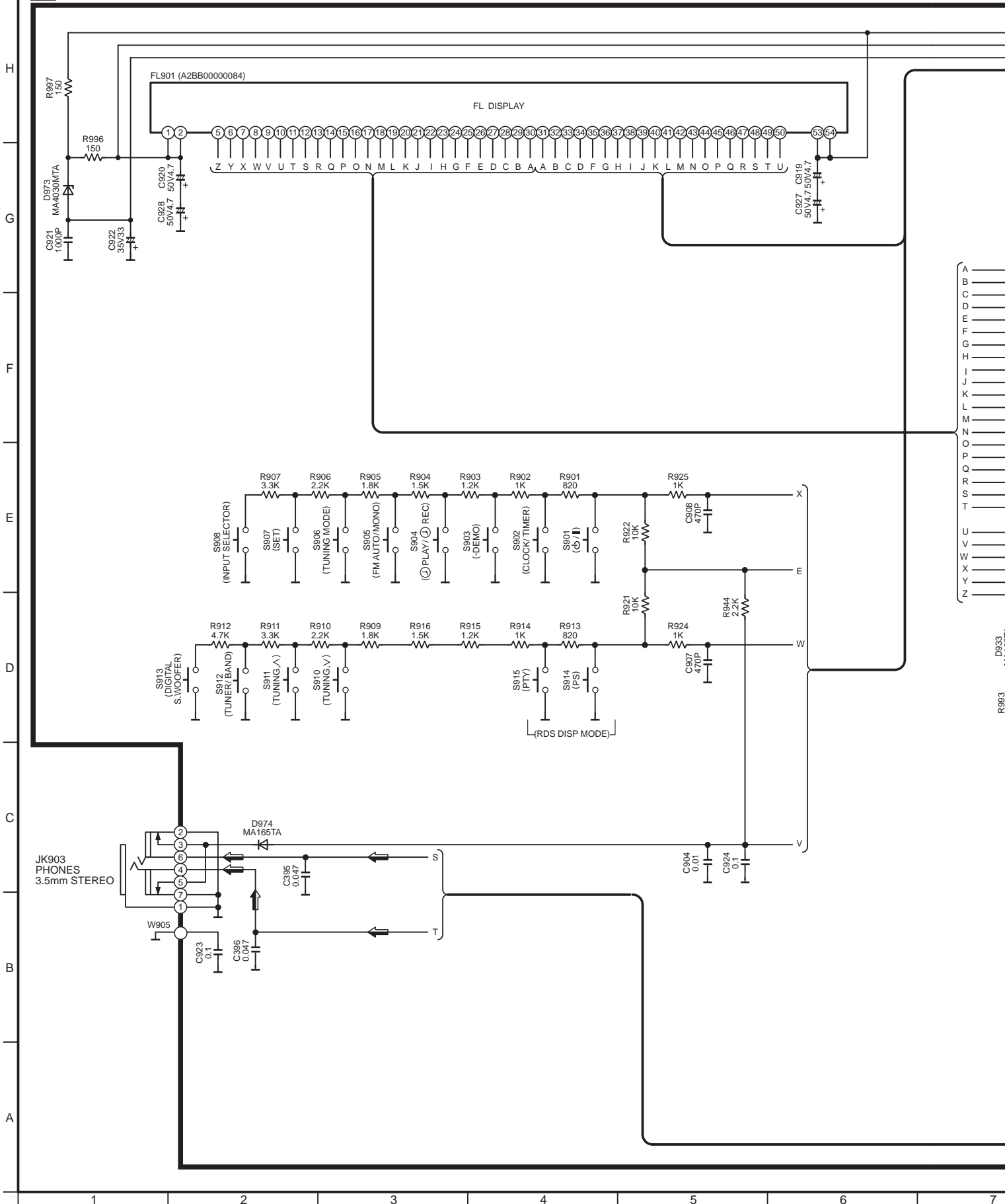


SCHEMATIC DIAGRAM-1

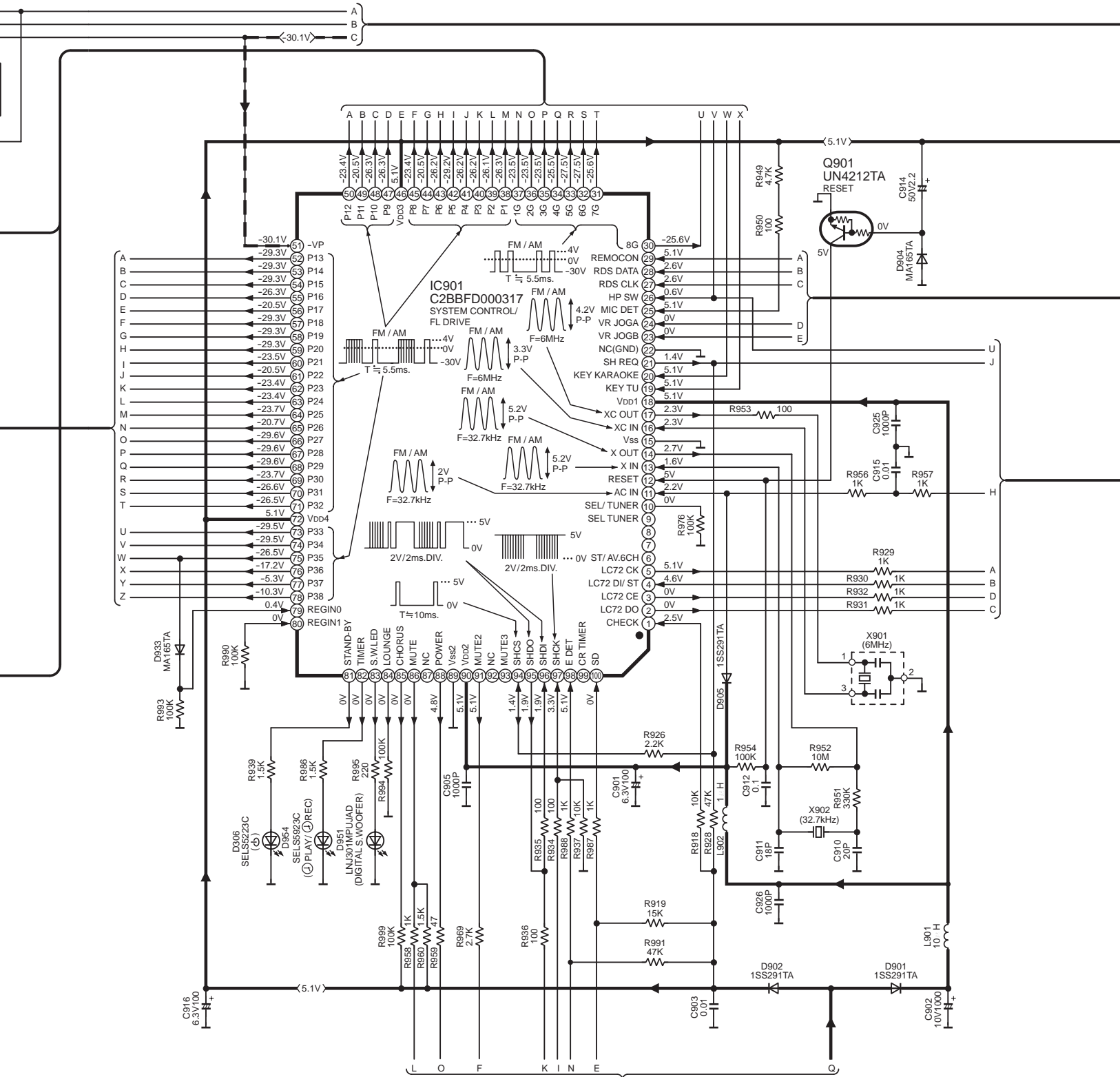
A OPERATION CIRCUIT

NOTE:

The number which noted at the connectors on the schematic diagram as "SCHEMATIC DIAGRAM-1" or "SCHEMATIC DIAGRAM-2" indicates the schematic diagram serial number located on the left corner in the schematic diagram.

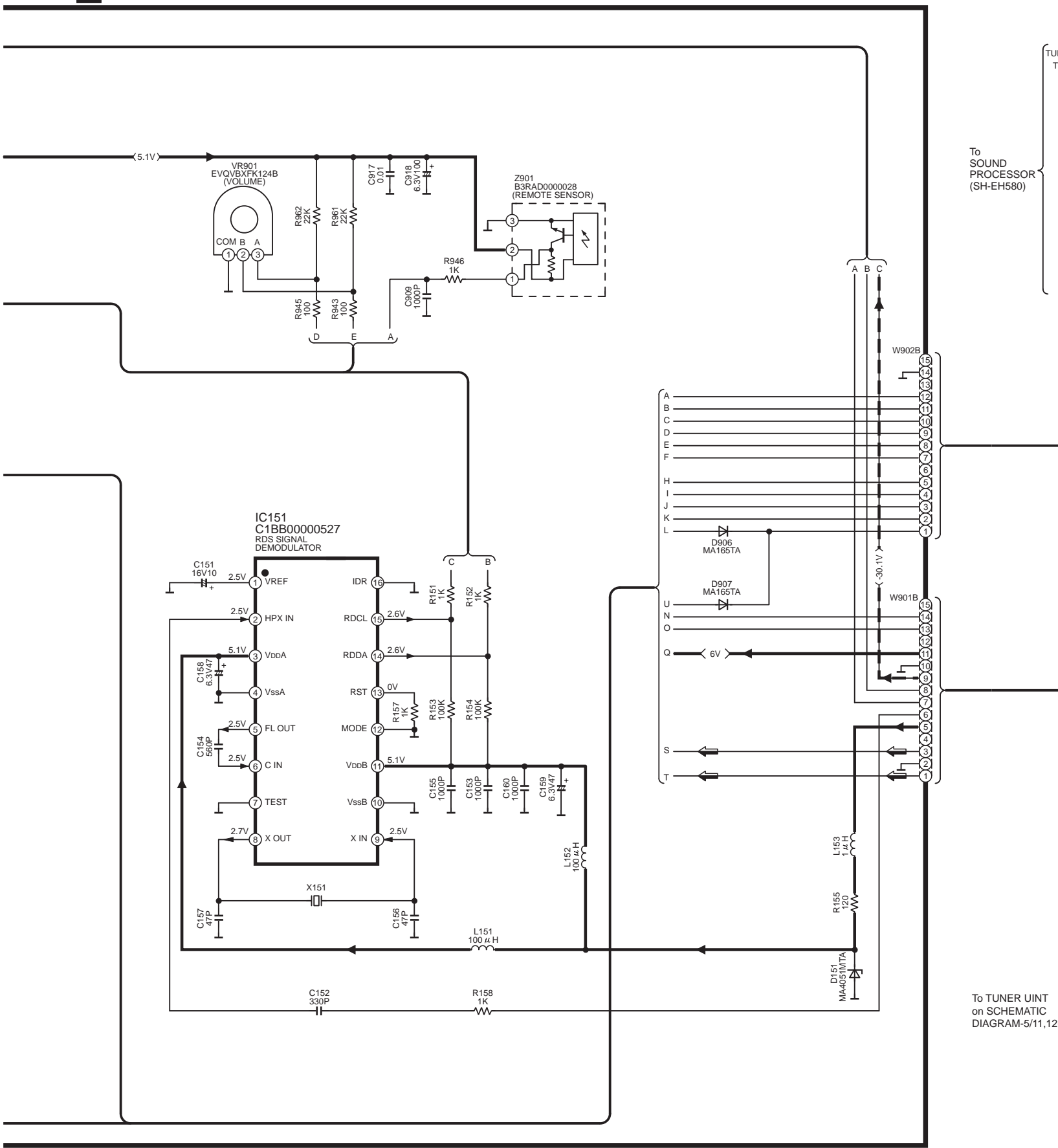


➔ : POSITIVE VOLTAGE LINE ➔ - : NEGATIVE VOLTAGE LINE ➔ : AUDIO SIGNAL LINE



SCHEMATIC DIAGRAM-2
A OPERATION CIRCUIT

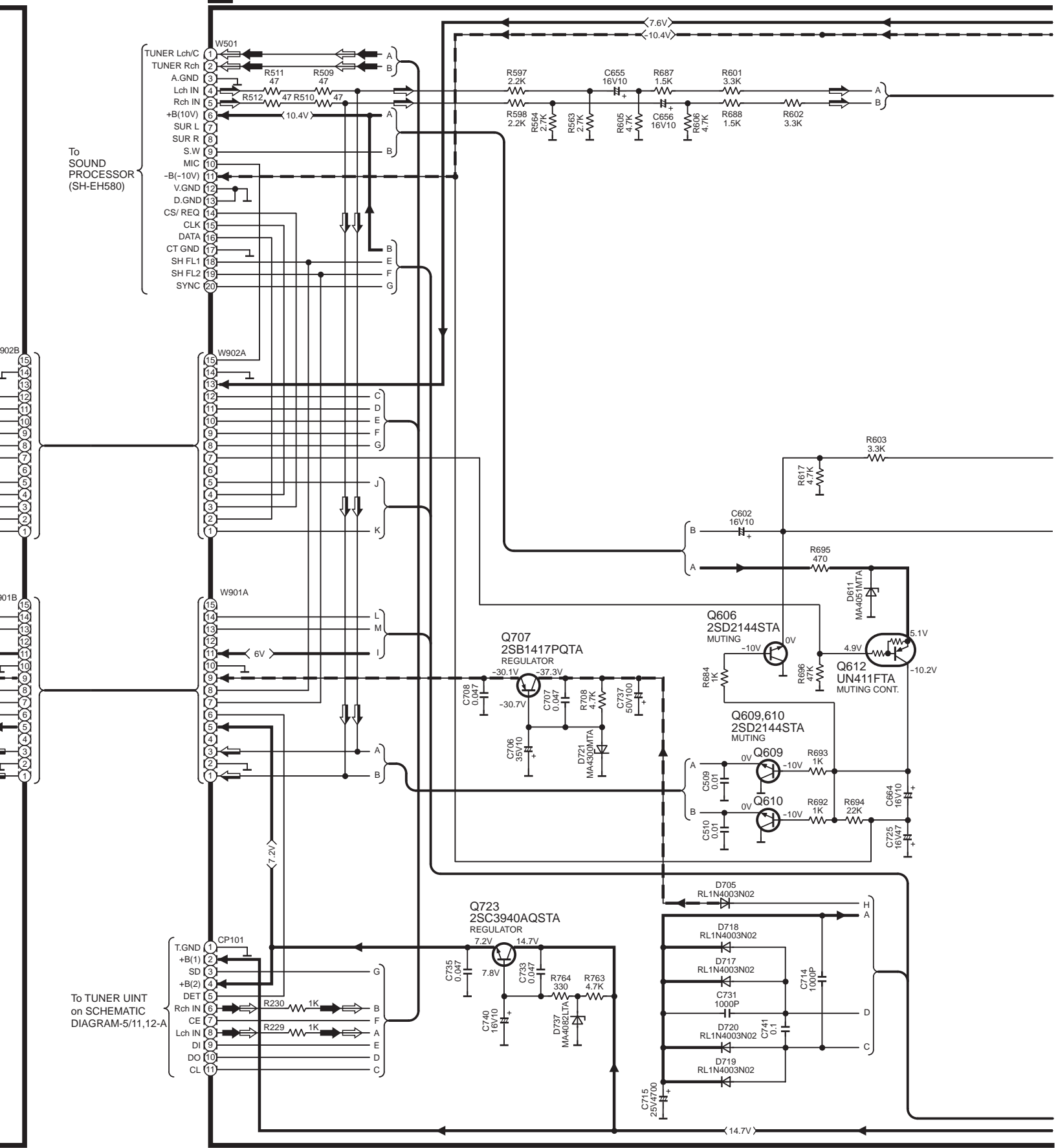
 : POSITIVE VOLTAGE LINE  : FM SIGNAL LINE
 : NEGATIVE VOLTAGE LINE  : AM SIGNAL LINE  : AUDIO SIGNAL LINE



To SOUND PROCESSOR (SH-EH580)

To TUNER UNIT on SCHEMATIC DIAGRAM-5/11,12

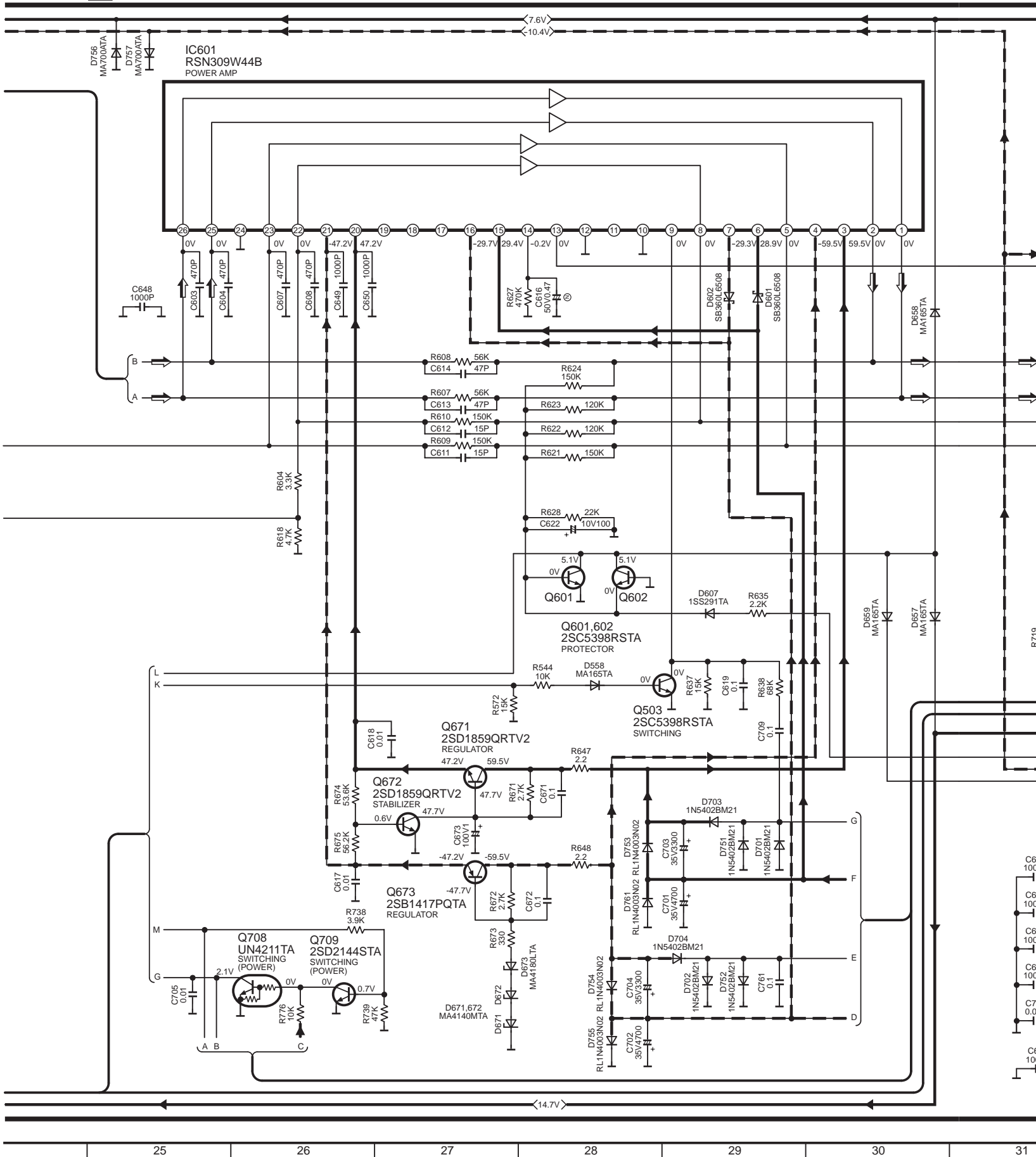
B MAIN CIRCUIT

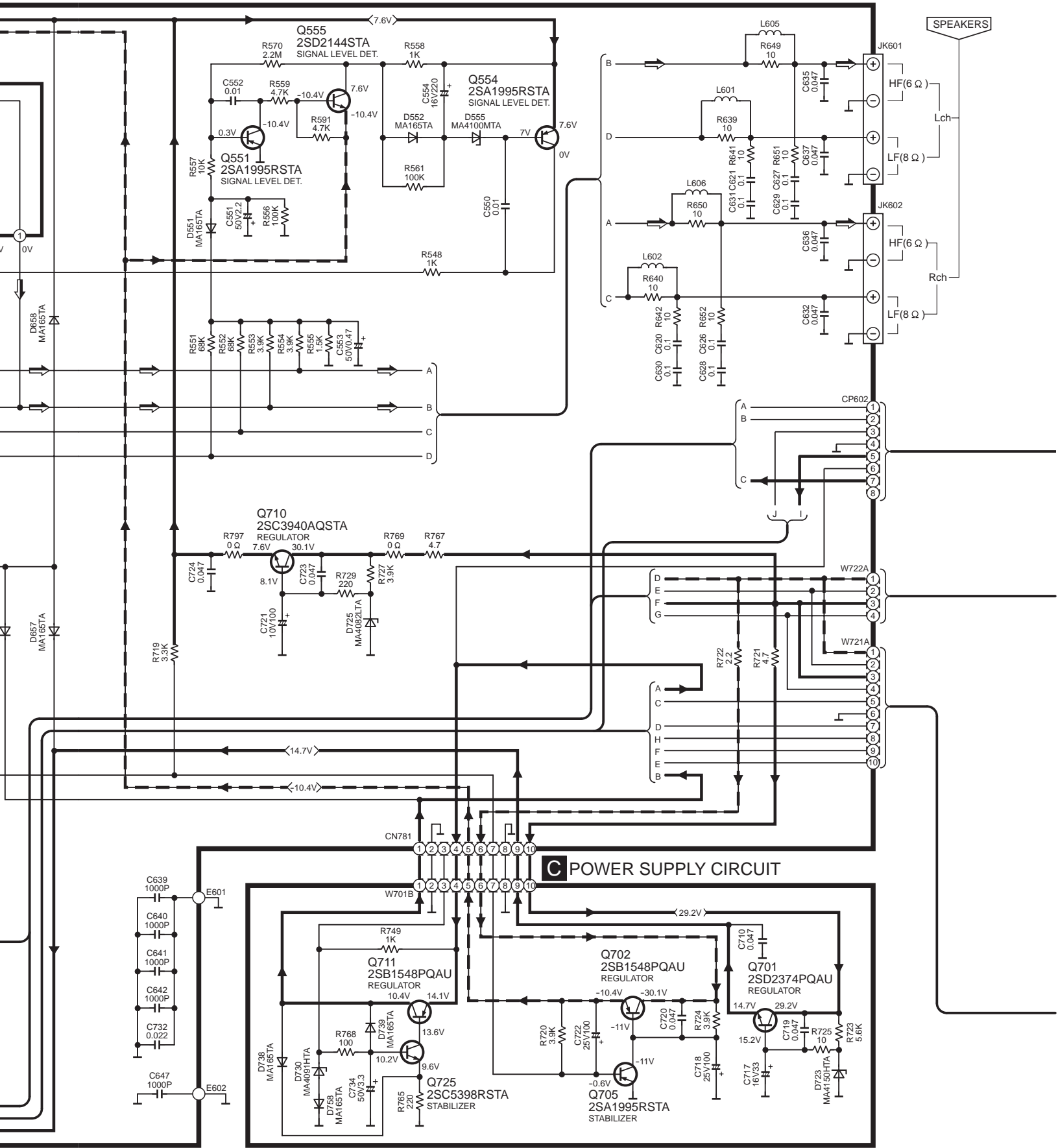


SCHEMATIC DIAGRAM-3

B MAIN CIRCUIT

→ : POSITIVE VOLTAGE LINE → - - - : NEGATIVE VOLTAGE LINE ⇨ : AUDIO SIGNAL LINE



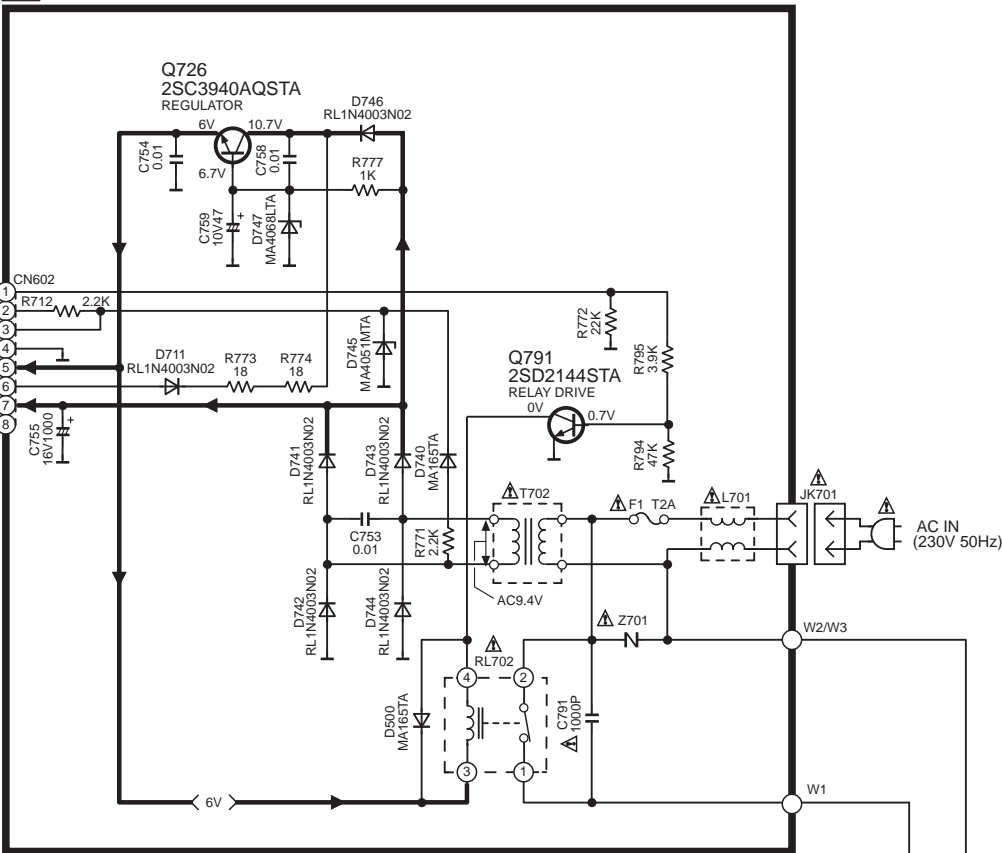


C POWER SUPPLY CIRCUIT

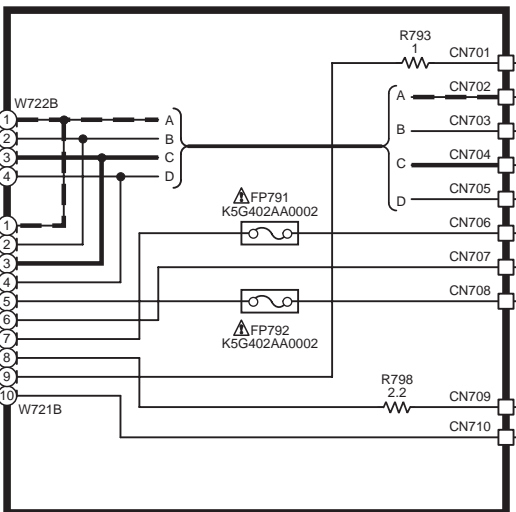
SCHEMATIC DIAGRAM-4

➔ : POSITIVE VOLTAGE LINE ➔ - : NEGATIVE VOLTAGE LINE

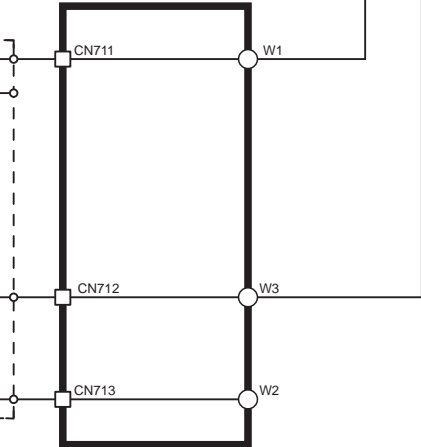
D AC IN CIRCUIT



E POWER TRANSFORMER(A) CIRCUIT



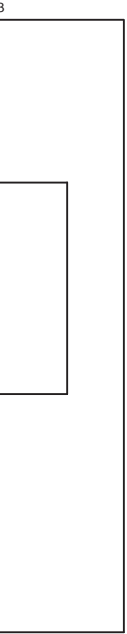
F POWER TRANSFORMER(B) CIRCUIT



SA-EH580(EE,EG,EP) AC IN, POWER TRANSFORMER(A),(B) CIRCUIT DIAGRAM



AC IN
(230V 50Hz)



H

G

F

E

D

C

B

A

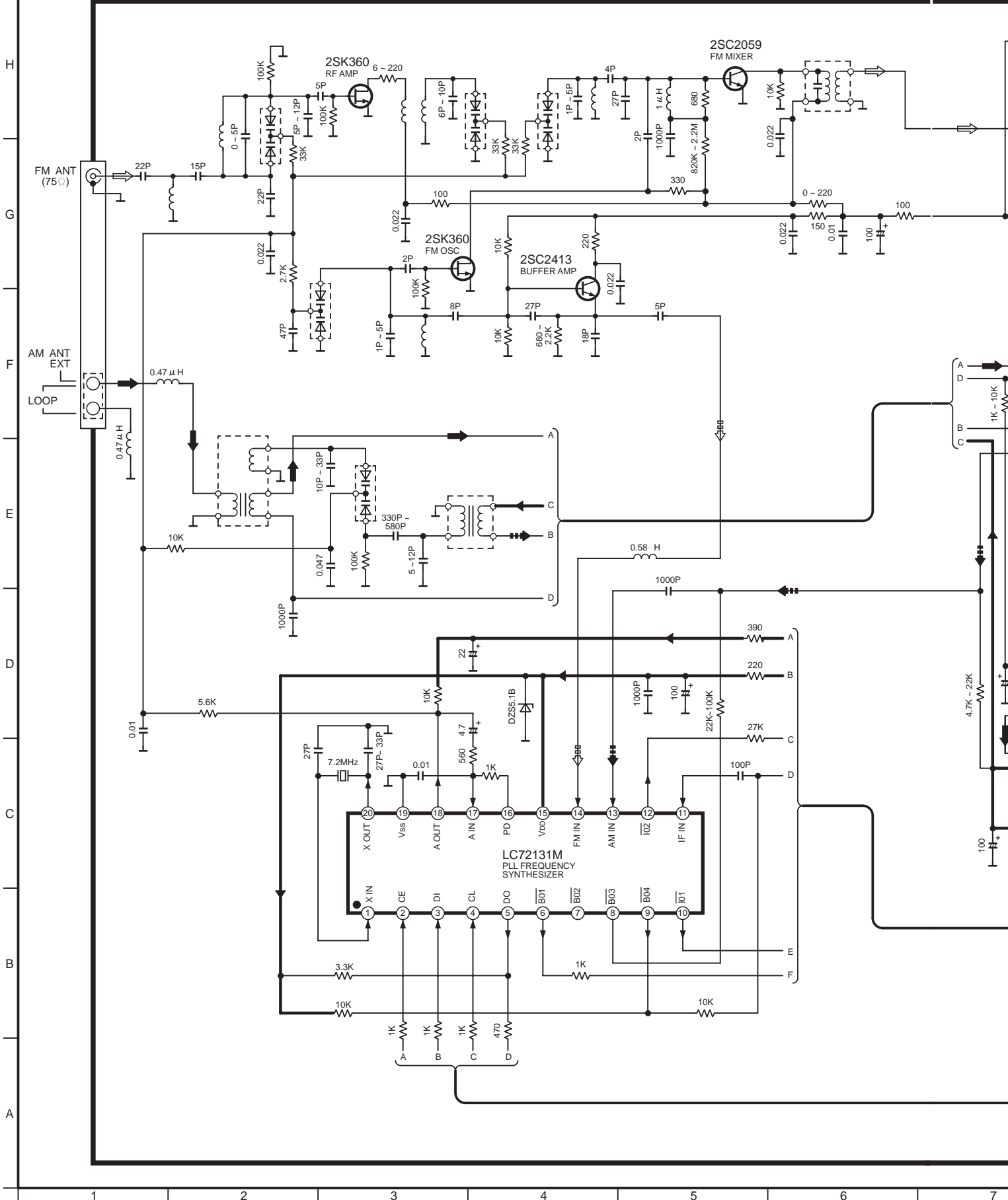
42 | 43 | 44 | 45 | 46 | 47 | 48



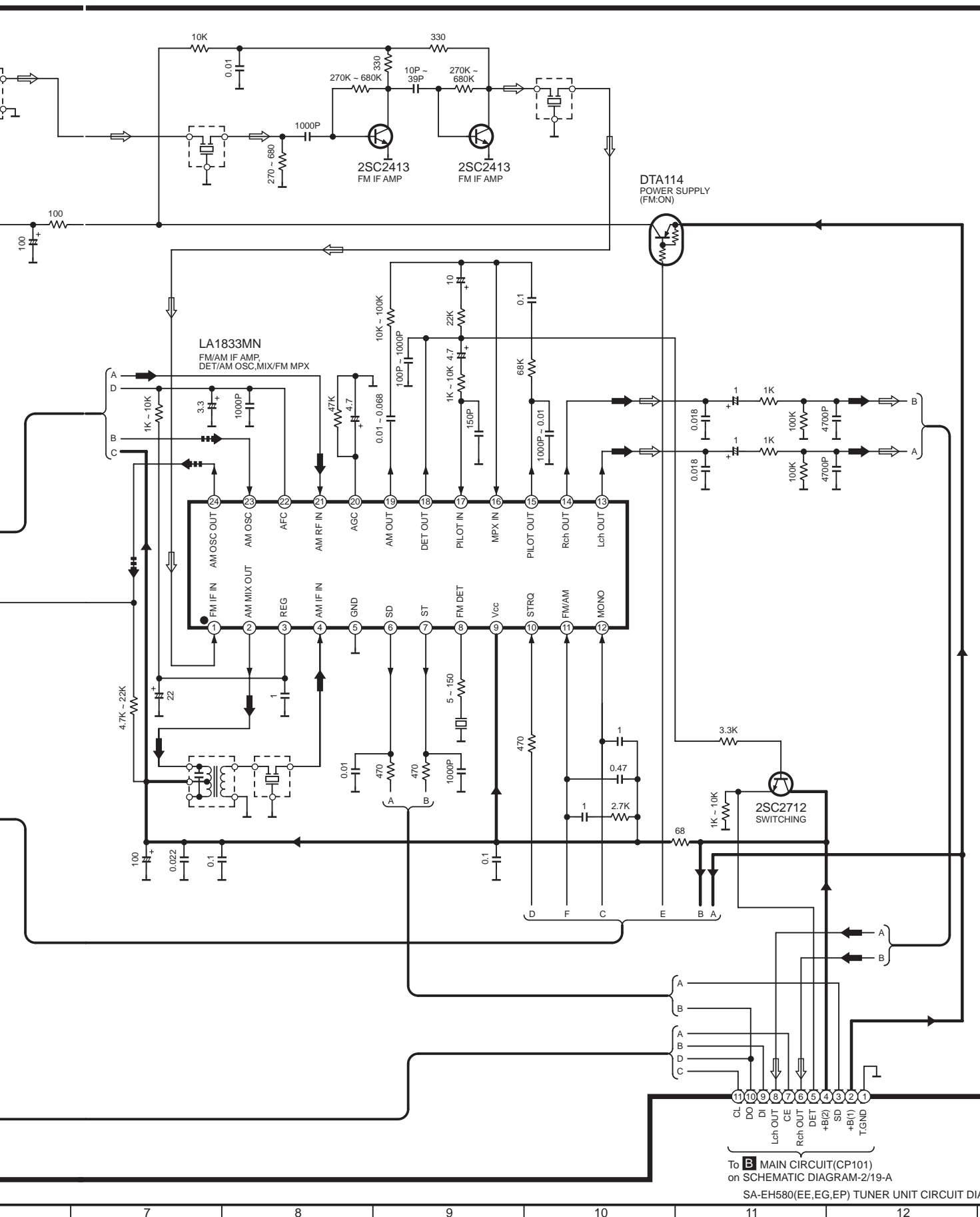
SCHEMATIC DIAGRAM-5

Z120 TUNER UNIT(RAN0005EM-2)

→ : POSITIVE VOLTAGE LINE
⇨ : FM SIGNAL LINE
⇩ : AM SIGNAL LINE
⇨⇨ : FM OSC SIGNAL LINE
⇩⇩ : AM OSC SIGNAL LINE



IGNAL LINE
C SIGNAL LINE



To **B** MAIN CIRCUIT(CP101)
on SCHEMATIC DIAGRAM-2/19-A
SA-EH580(E,E,EG,EP) TUNER UNIT CIRCUIT DIAGRAM