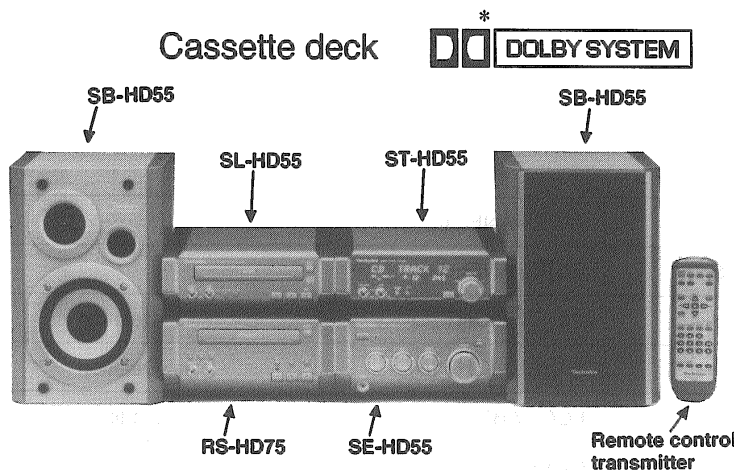


Service Manual

Cassette Deck

RS-HD75



Colour

(S) Silver Type

Area

PP U.S.A. and Canada.

System : SC-HD55

Because of unique interconnecting cables, when a component requires service, send or bring in the entire system.

Please file and use this manual together with the service manual for Model No. RS-HD75 (E), Order No. AD9803052C2.

- Notes:**
- This simplified service manual is provided to indicate the main differences between the original model No. RS-HD75 (E) and the subsequent model No. RS-HD75 (PP).
 - Refer to the service manual for Model No. SE-HD55 (ORDER NO. AD9803049C2 and AD9806099A1) for information on "ACCESSORIES", "INSTALLATION", "CONNECTIONS" and "PACKAGING".

CHANGES

■ **Specifications [RS-HD75 (E) Service Manual on cover page.]**

RS-HD75 (E)		RS-HD75 (PP)
<p>■ General</p> <p>Weight 1.8 kg</p>	➔	<p>■ General</p> <p>Weight 1.6 kg</p>

System/SC-HD55:

Tuner: ST-HD55, Compact Disc Player: SL-HD55, Amplifier: SE-HD55, Cassette Deck: RS-HD75, Speaker: SB-HD55

⚠WARNING

This service information is designed for experienced repair technicians only and is not designed for use by the general public. It does not contain warnings or cautions to advise non-technical individuals of potential dangers in attempting to service a product. Products powered by electricity should be serviced or repaired only by experienced professional technicians. Any attempt to service or repair the product or products dealt with in this service information by anyone else could result in serious injury or death.

Technics®

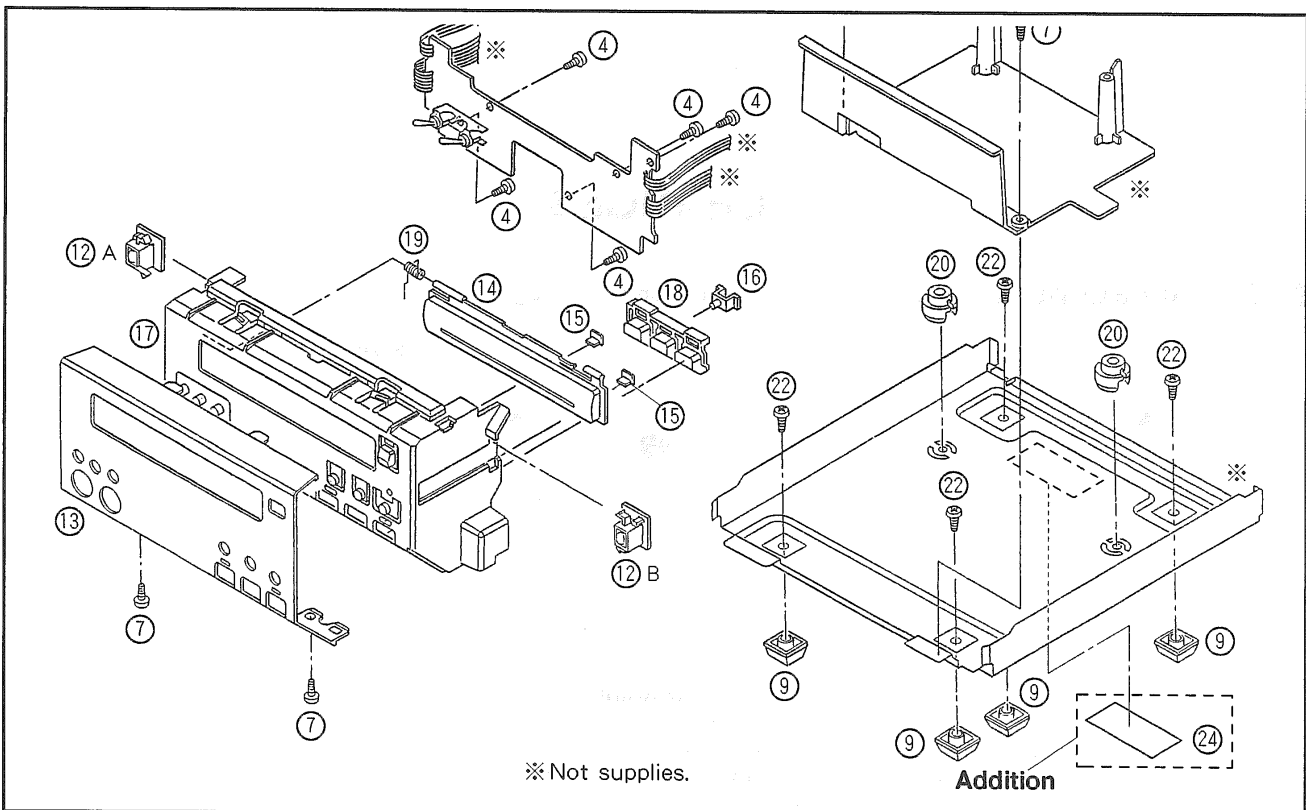
© 1998 Matsushita Electric Industrial Co., Ltd.
All rights reserved. Unauthorized copying and distribution is a violation of law.

Change in Replacement Parts List [RS-HD75 (E) Service Manual on pages 29, 30.]

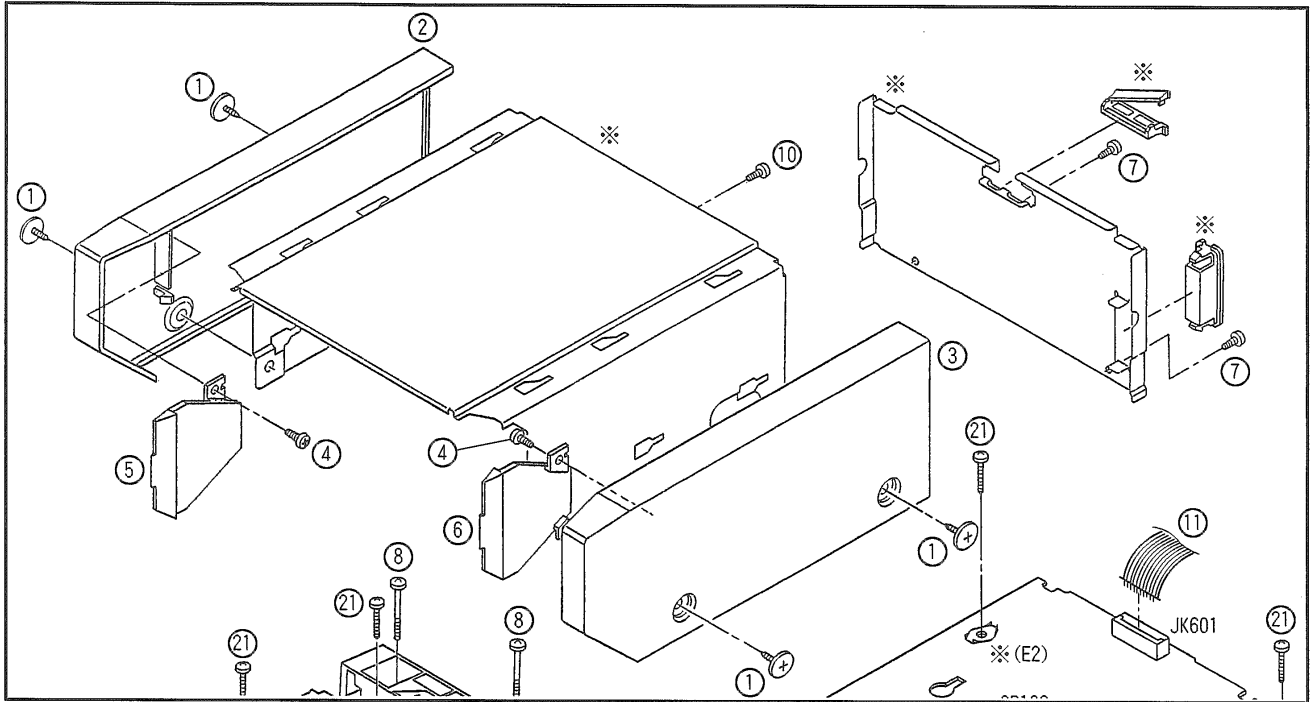
Notes: • Mentioned in this parts list is only those different from Model No. RS-HD75 (E).
All other parts are the same as for RS-HD75 (E).

Ref. No.	Change of Part No.		Part Name & Description	Remarks
	RS-HD75 (E)	→ RS-HD75 (PP)		
CABINET & CHASSIS				
2	RGK0972-S	RYQ0221-S	SIDE PANEL (L)	
3	RGK0973-S	RYQ0222-S	SIDE PANEL (R)	
5	RGL0394-Q	—	PANEL LIGHT (L)	Deletion
6	RGL0395-Q	—	PANEL LIGHT (R)	Deletion
24	—	RQLS0203	FCC LABEL	Addition
224	RDG0206-1	RDG0206A-1	GEAR	
RESISTOR				
R215	ERJ6GEYJ123V	ERJ6GEYJ153V	1/10 W 15 KΩ	

Cabinet Parts Location [RS-HD75 (E) Service Manual on page 28.]



RS-HD75 (E)



RS-HD75 (PP)

