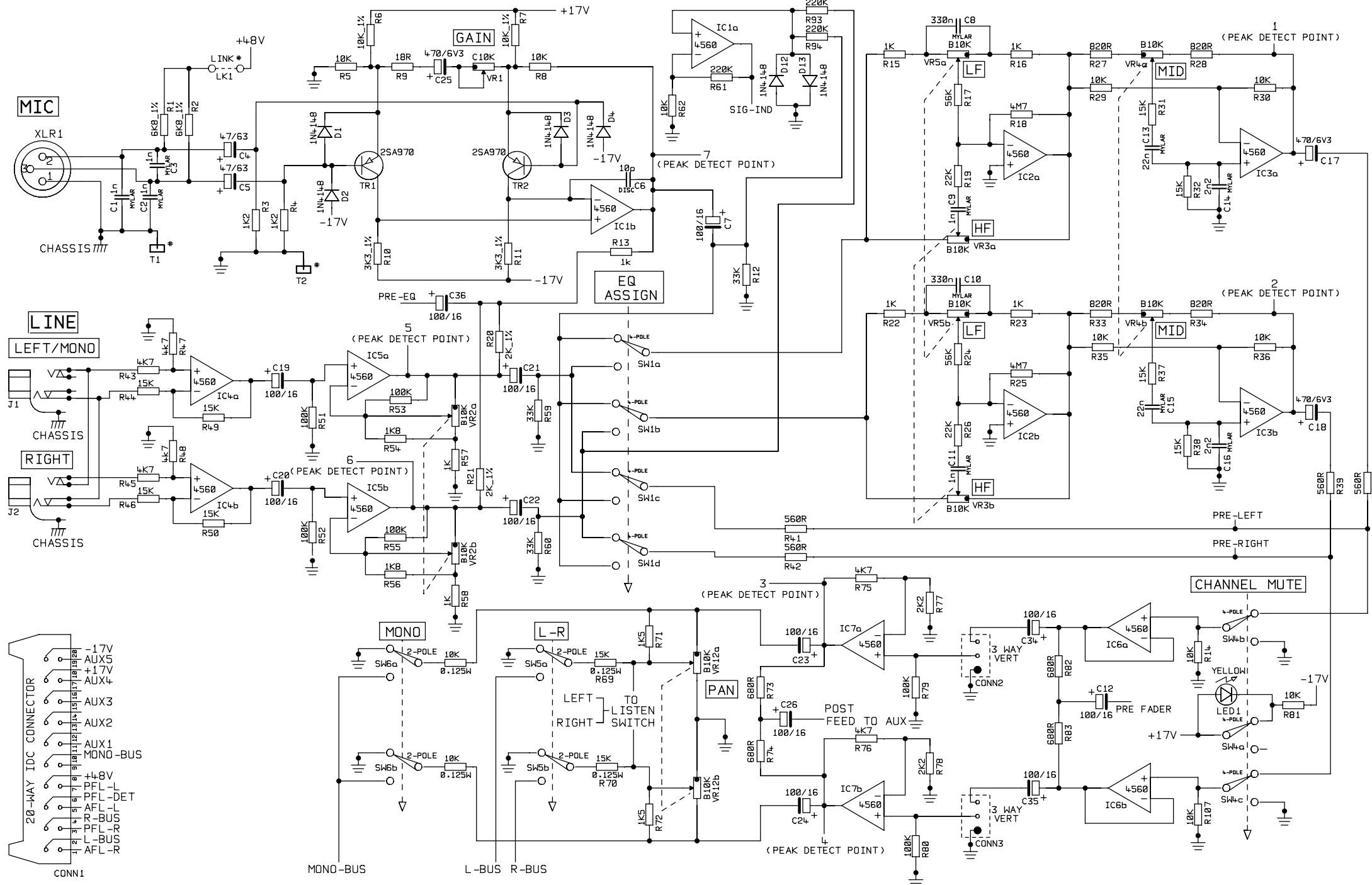


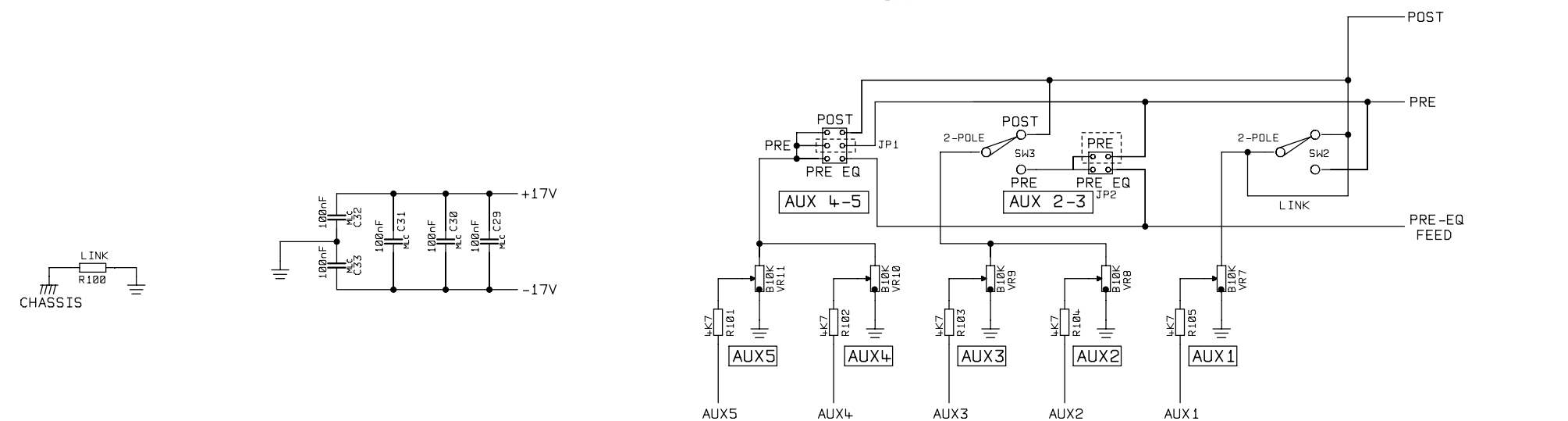
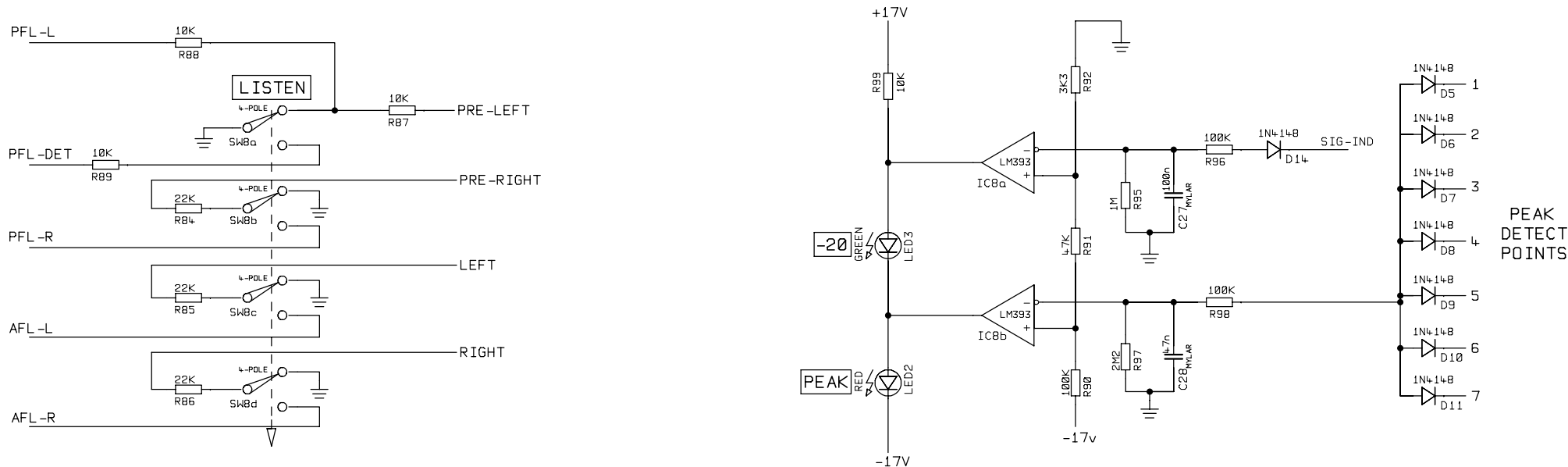
STUDIOMASTER DIAMOND LTD		TITLE	MONO INPUT CIRCUIT		FILE NAME
PRODUCT	PR02 (R6)	PART 1 OF 1			R6C1-2.DGM
VERSIONS		DRN BY	P.A.	DATE	08-11-96
					ISSUE No
					9603031-2
					PCBUSU42



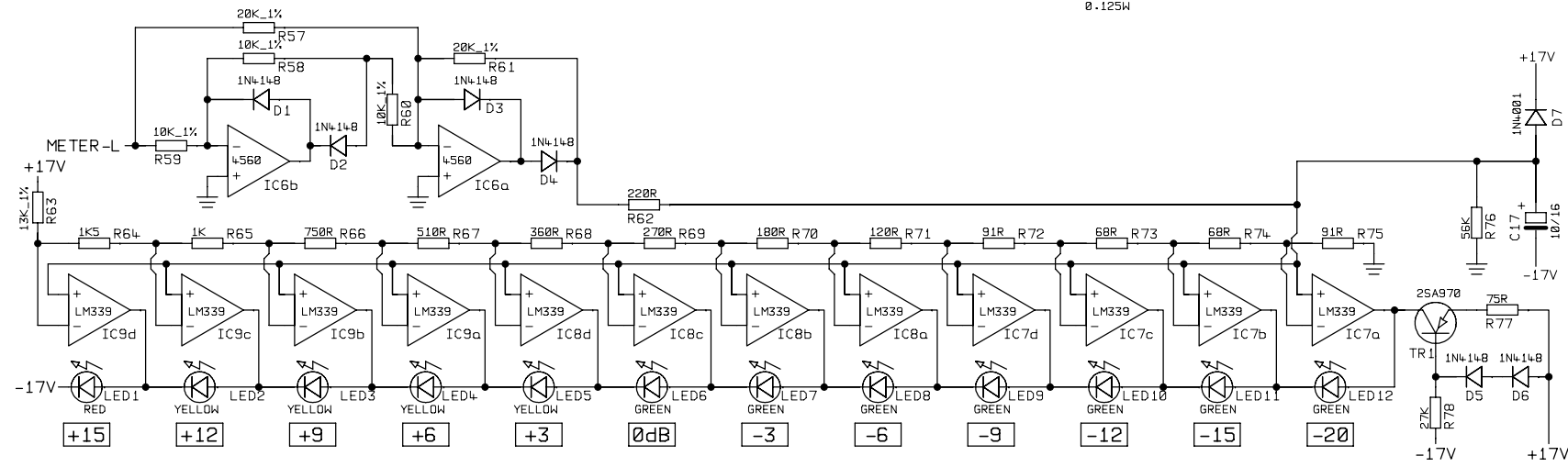
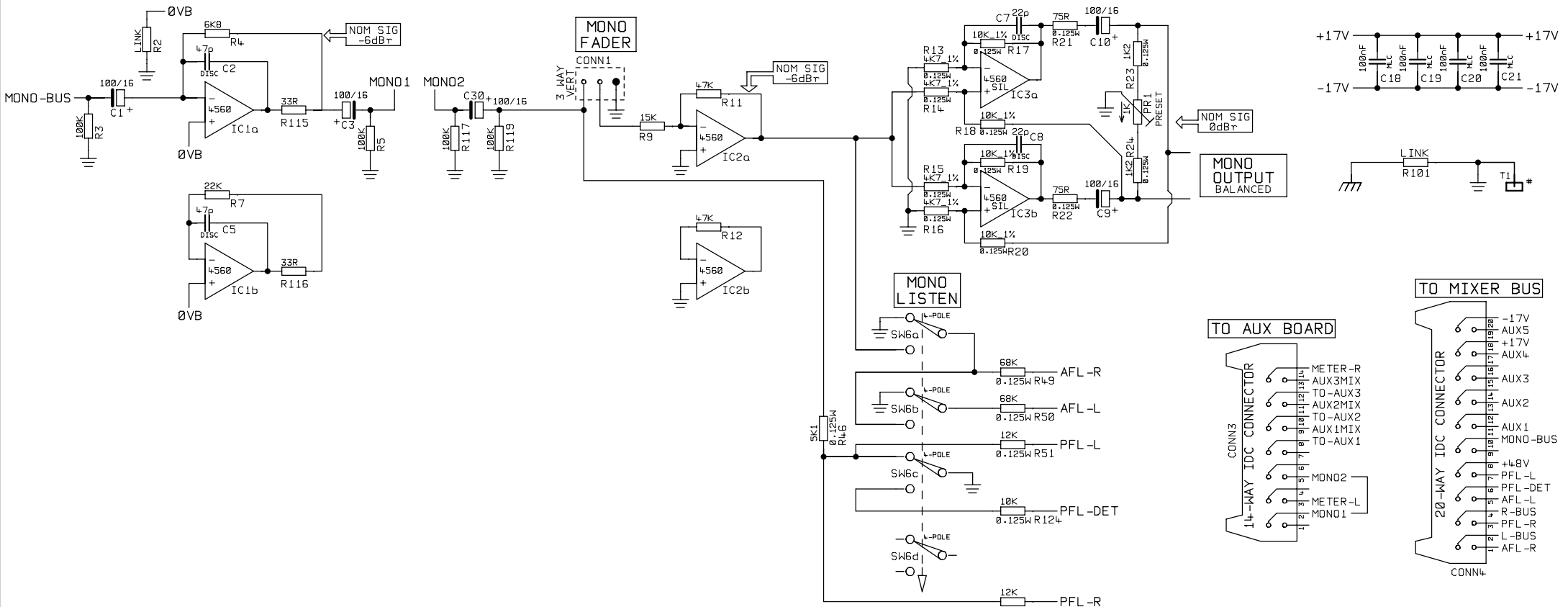
PIN OUTS FOR ALL OPAMPS + LM393

GROUP A	GROUP B
1 = 0/P	8 = +17V
2 = -	7 = 0/P
3 = +	6 = -
4 = -17V	5 = +

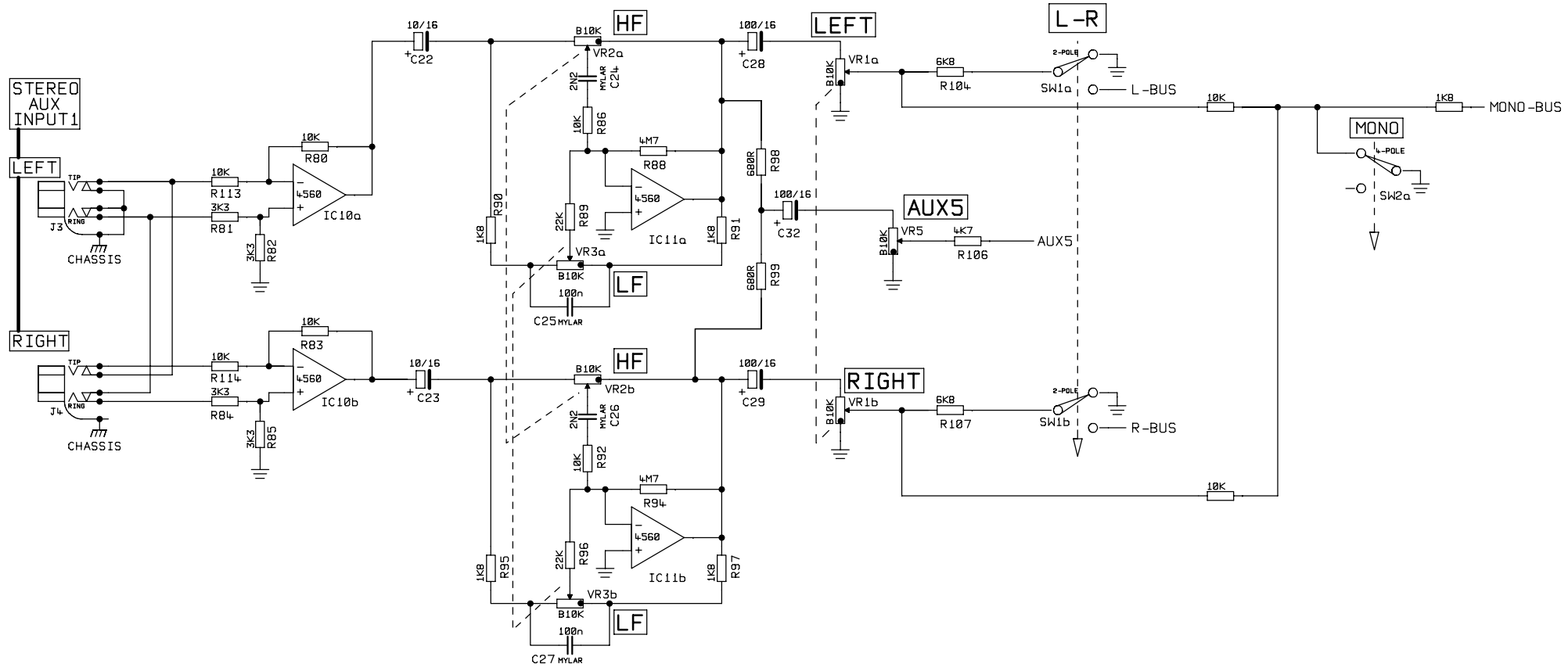
STUDIOMASTER DIAMOND LTD		TITLE		STEREO INPUT CIRCUIT		FILE NAME	
PRODUCT		PR02 (R6)		PART 1 OF 2		R6C2A-1.DGM	
VERSIONS		DRN BY		P.A.		DATE	
						26-02-97	
						ISSUE No	
						9603032-1	
						PCBUSU52	



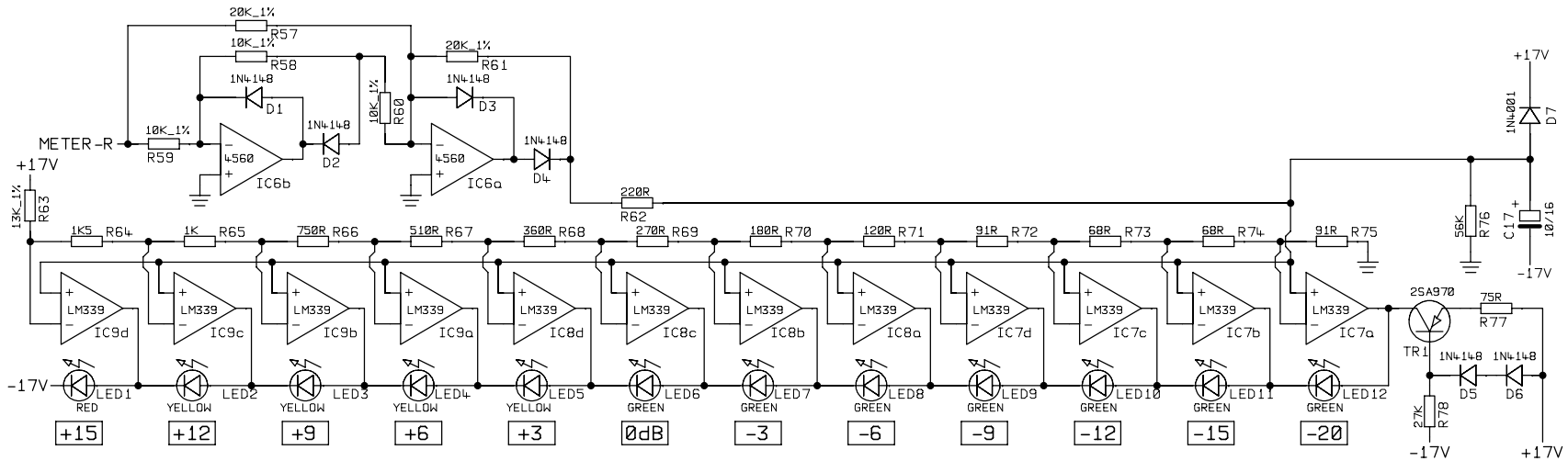
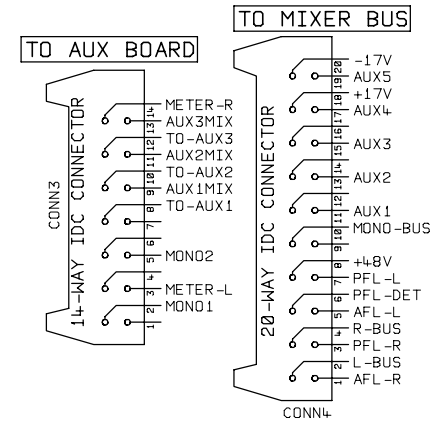
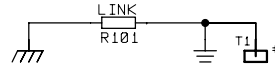
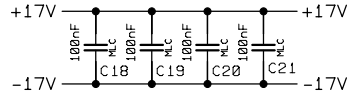
PIN OUTS FOR ALL OPAMPS + LM393 GROUP A GROUP B 1 = O/P 8 = +17V 2 = - 7 = O/P 3 = + 6 = - 4 = -17V 5 = +		STUDIOMASTER DIAMOND LTD PRODUCT PR02 (R6) VERSIONS		TITLE STEREO INPUT CIRCUIT PART 2 OF 2 DRN BY P.A. DATE 26-02-97		FILE NAME R6C2B-1.DGM ISSUE No 9603032-1 PCBUSU52	
---	--	--	--	---	--	---	--



0dB _r = +4dB _u	STUDIOMASTER DIAMOND LTD		TITLE	LEFT OUTPUT BOARD		FILE NAME	R6C3A-1.DGM
	PRODUCT	PR02 (R6)	PART 1 OF 2			ISSUE No	9603033-1
	VERSIONS		DRN BY	P.A.	DATE	26-02-97	PCBUSU62



STUDIOMASTER DIAMOND LTD		TITLE	LEFT OUTPUT BOARD		FILE NAME	R6C3B-1.DGM	
PRODUCT	PR02 (R6)	PART 2 OF 2		ISSUE No		9603033-1	
VERSIONS		DRN BY	P.A.	DATE	26-02-97		
						PCBUSU62	



0dB_r = +4dB_u

STUDIOMASTER DIAMOND LTD

TITLE

RIGHT OUTPUT BOARD

FILE NAME
R6C4A-1.DGM

PRODUCT PR02 (R6)

PART 1 OF 2

ISSUE No
9603034-1

VERSIONS

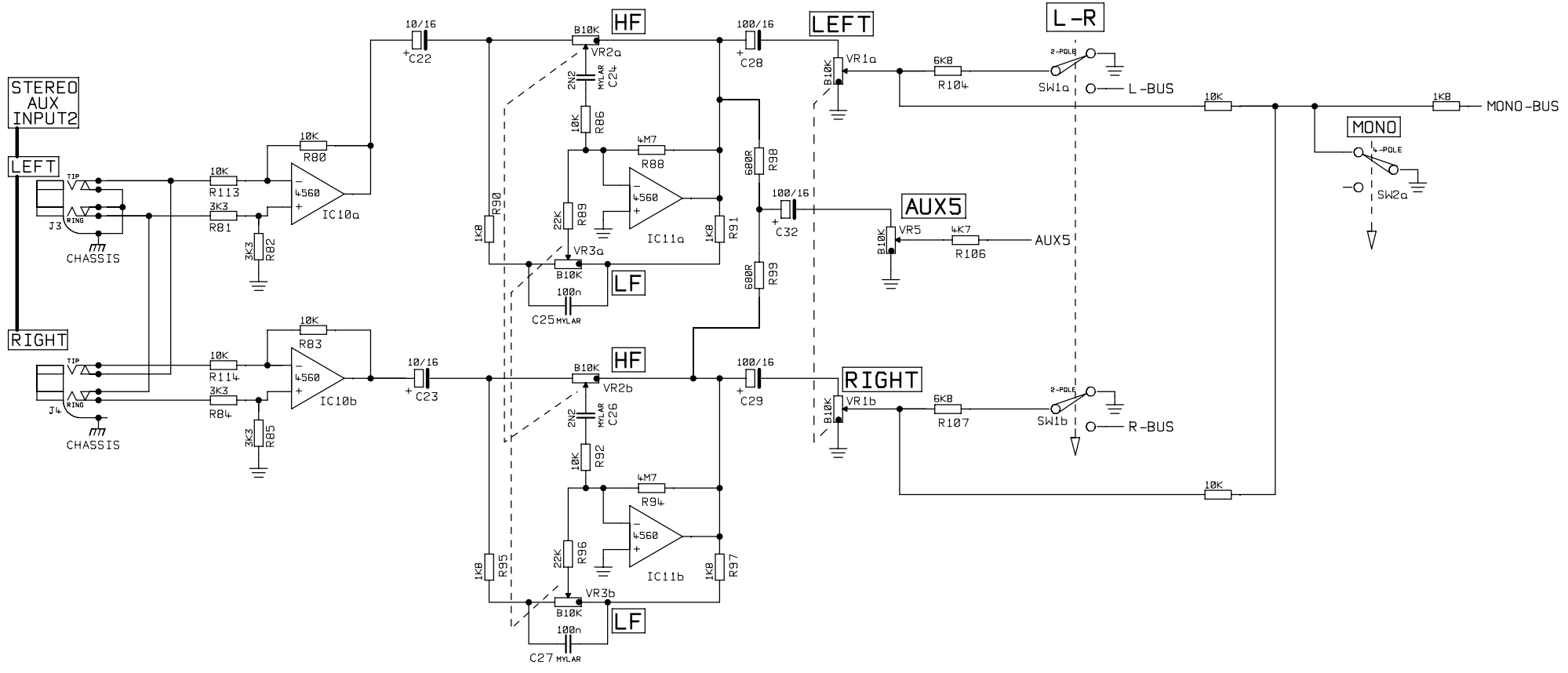
DRN BY

P.A.

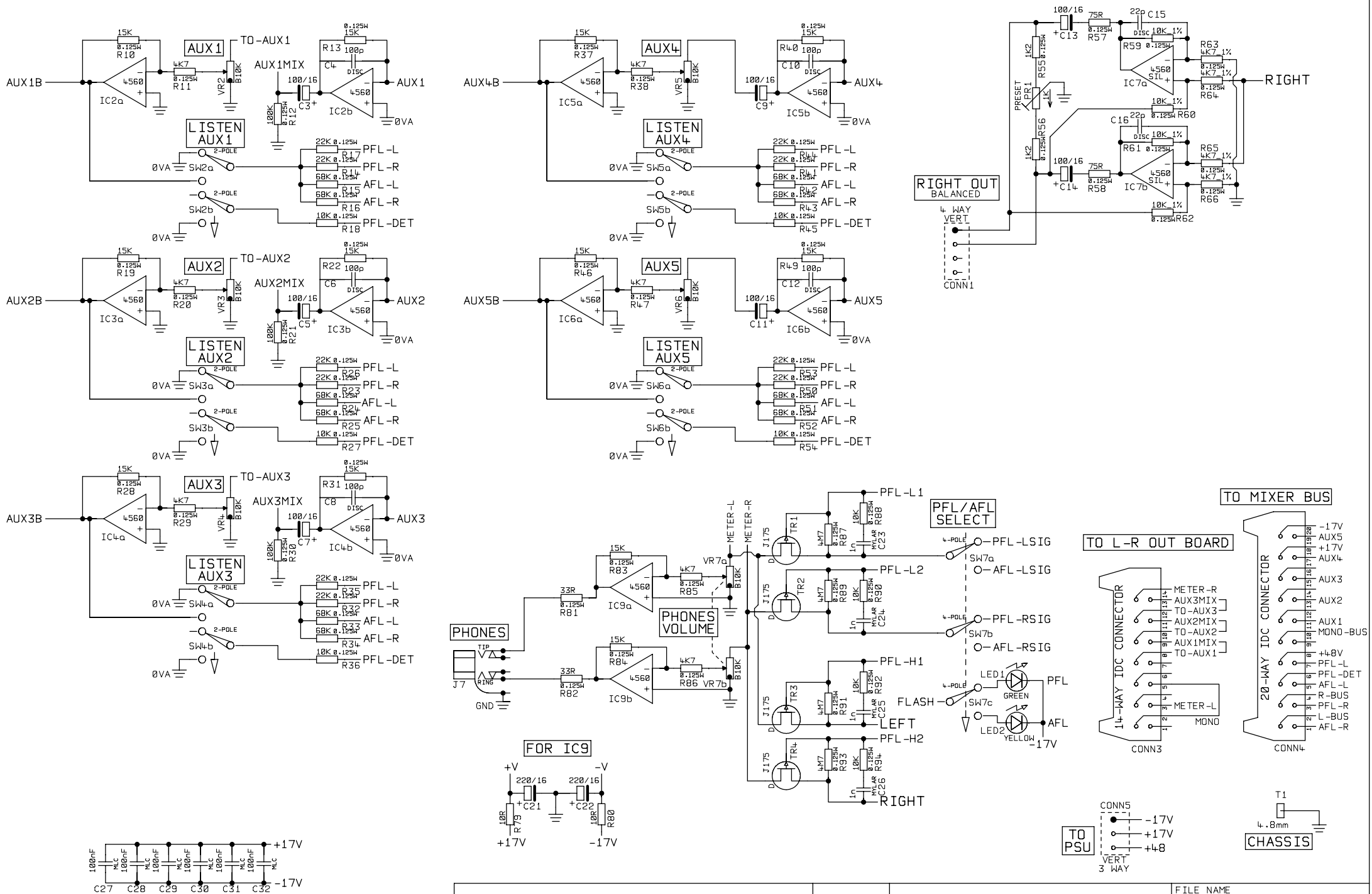
DATE

26-02-97

PCBUSU72

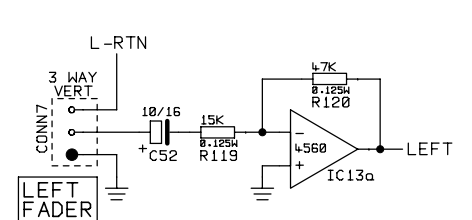
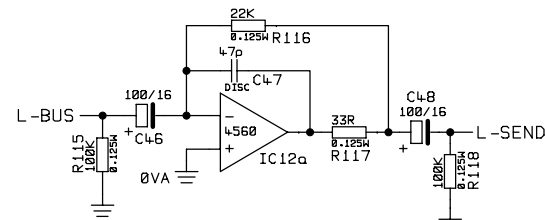
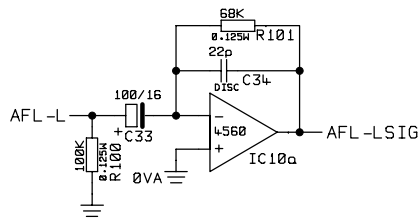
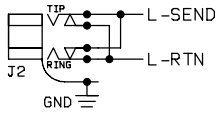


STUDIOMASTER DIAMOND LTD		TITLE	RIGHT OUTPUT BOARD		FILE NAME	R6C4B-1.DGM	
PRODUCT	PR02 (R6)	PART 2 OF 2			ISSUE No	9603034-1	
VERSIONS		DRN BY	P.A.	DATE	26-02-97	PCBUSU72	

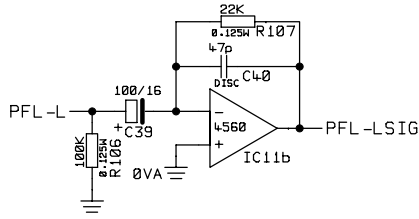
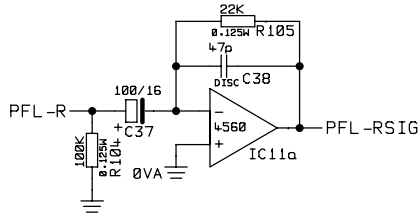
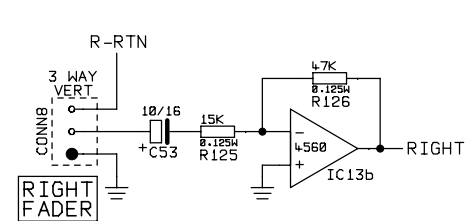
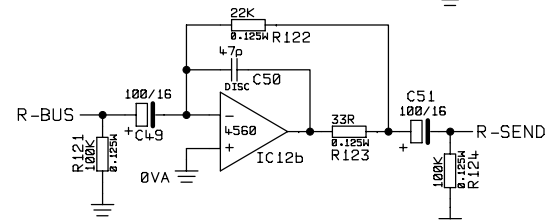
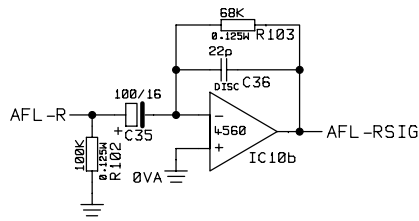
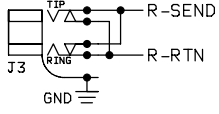


STUDIOMASTER DIAMOND LTD		TITLE		AUX - MONITOR BOARD		FILE NAME		R6C5A-1.DGM	
PRODUCT	PR02 (R6)	PART 1 OF 2				ISSUE No		9603035-1	
VERSIONS		DRN BY	P.A.	DATE	26-02-97			PCBUSU82	

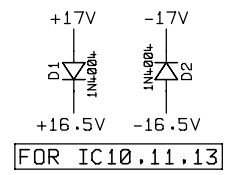
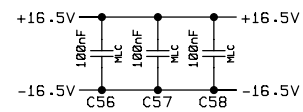
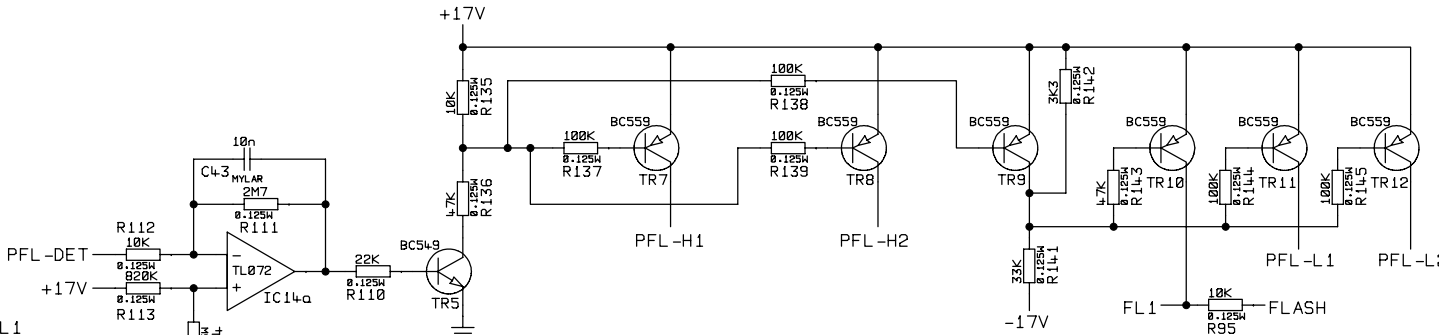
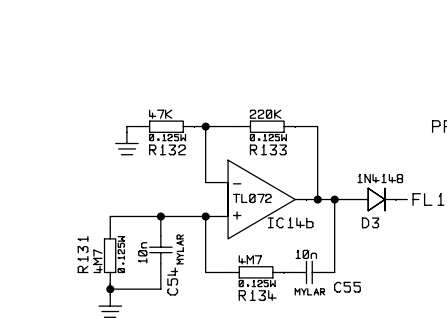
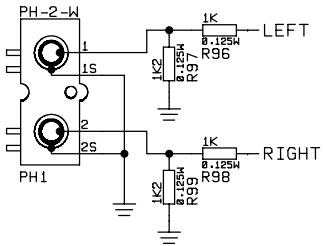
LEFT SEND/RTN



RIGHT SEND/RTN

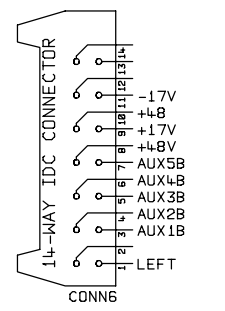


L-R PHONO OUTPUT

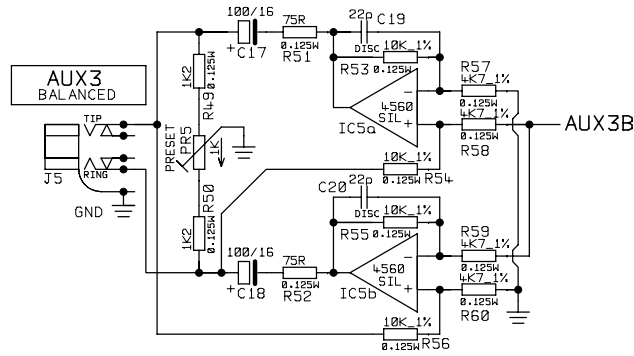
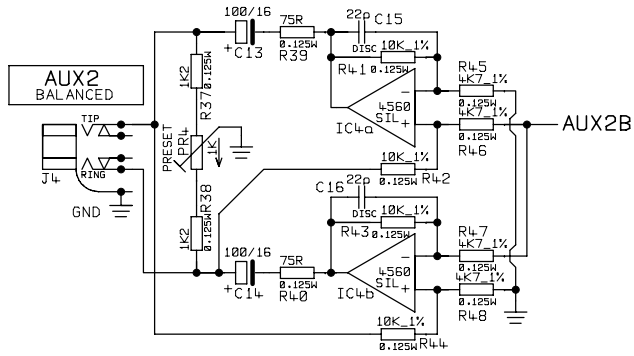
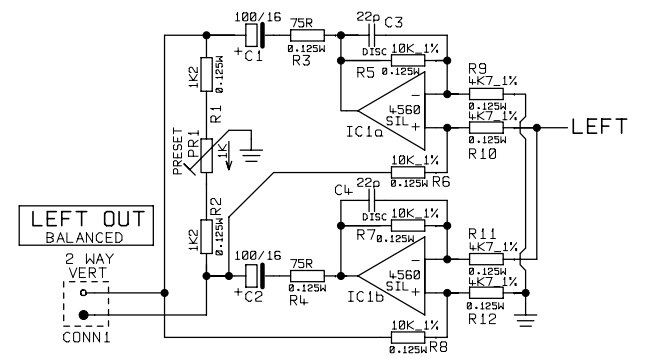
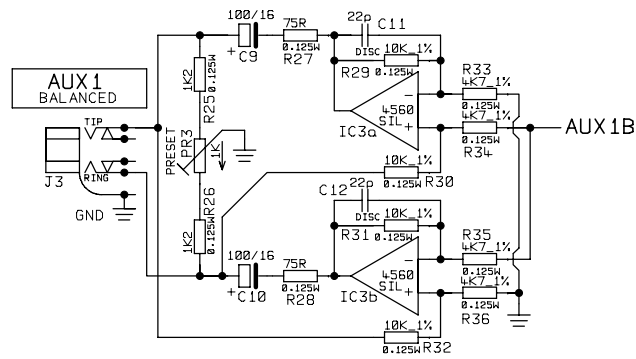


FOR IC10,11,13

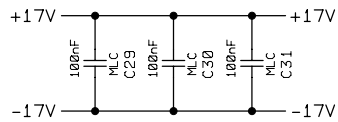
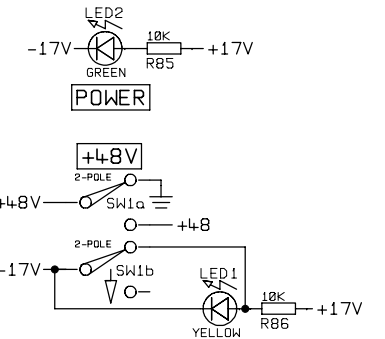
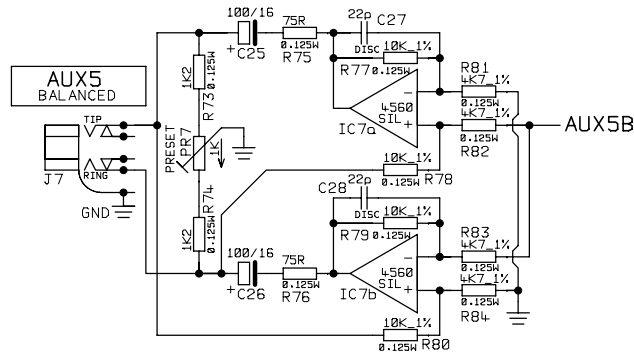
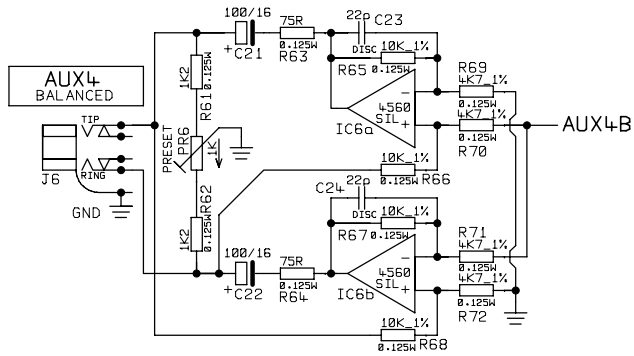
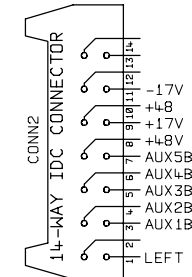
TO MON-SUB BOARD



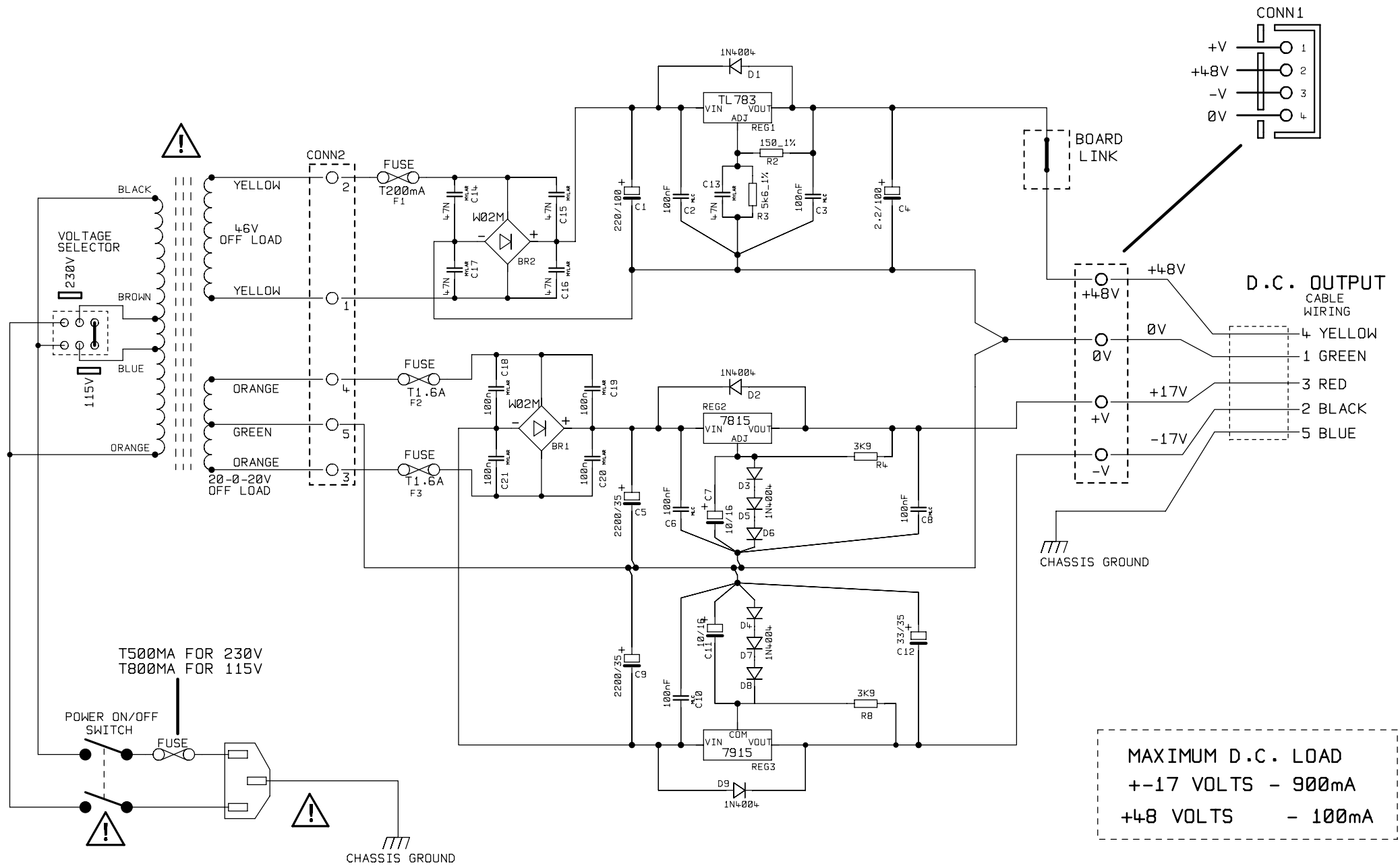
STUDIOMASTER DIAMOND LTD		TITLE		AUX - MONITOR BOARD		FILE NAME	
PRODUCT		PR02 (R6)		PART 2 OF 2		R6C5B-1.DGM	
VERSIONS				DRN BY		ISSUE No	
				P.A.		9603035-1	
				DATE		PCBUSU82	
				26-02-97			



TO AUX-MON BOARD



STUDIOMASTER DIAMOND LTD		TITLE	AUX - MON SUB BOARD		FILE NAME	R6C6-1.DGM	
PRODUCT	PRO2 (R6)	PART 1 OF 1			ISSUE No	9603036-1	
VERSIONS		DRN BY	P.A.	DATE	26-02-97	PCBUSU92	



NOTES
 WARNING ⚠ INDICATES SAFETY CRITICAL COMPONENTS.
 REPLACE ONLY WITH STUDIOMASTER RECOMMENDED PARTS.

STUDIOMASTER PRODUCT EP7 VERSIONS		TITLE		CIRCUIT DIAGRAM		DRAWING No.	
		PART 1 OF 1		SCALE		9603030-2	
DRN BY P.A.		DATE 02-04-98		FILE No.		EP7C1-2.DGM	
						Rev A	