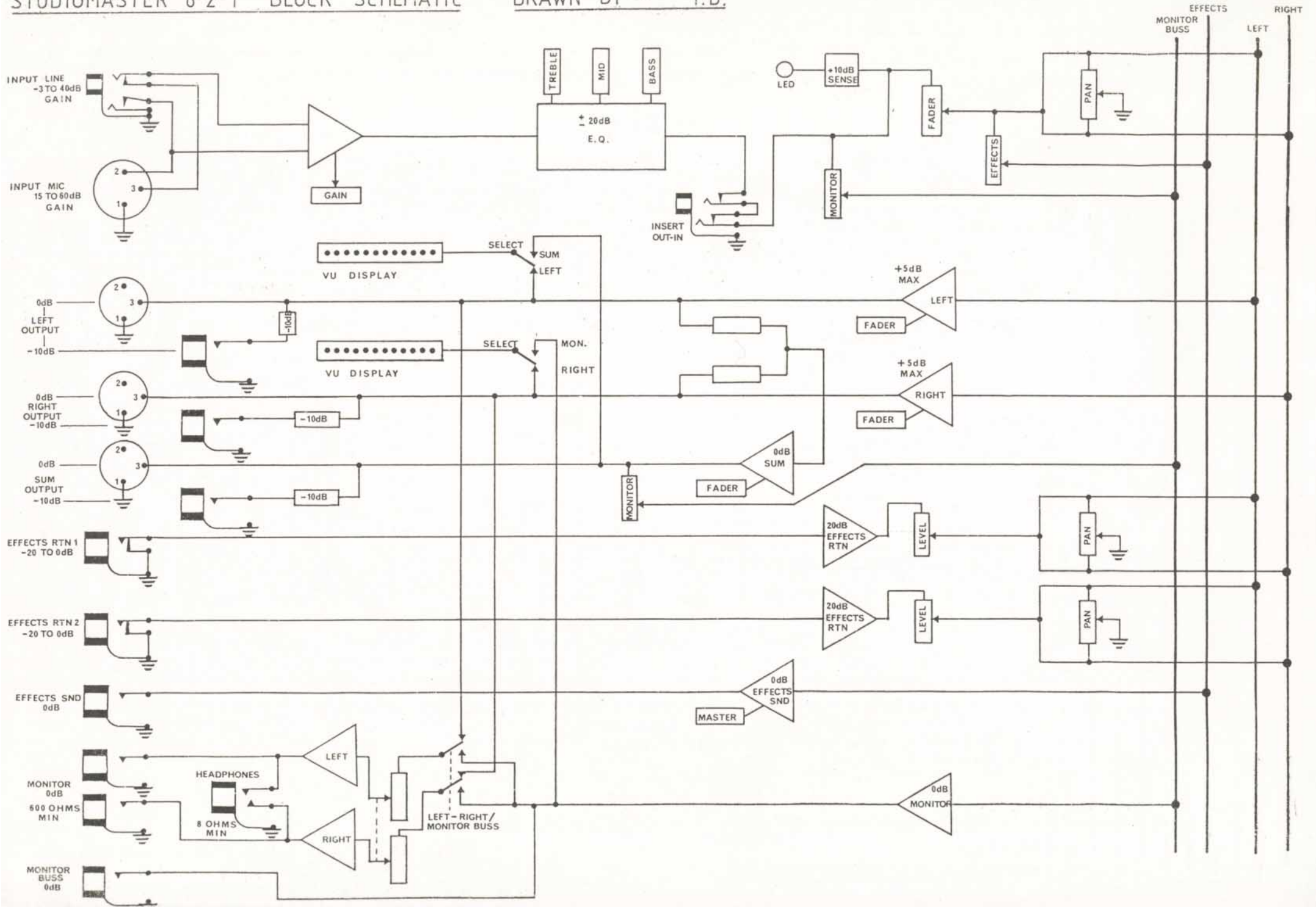
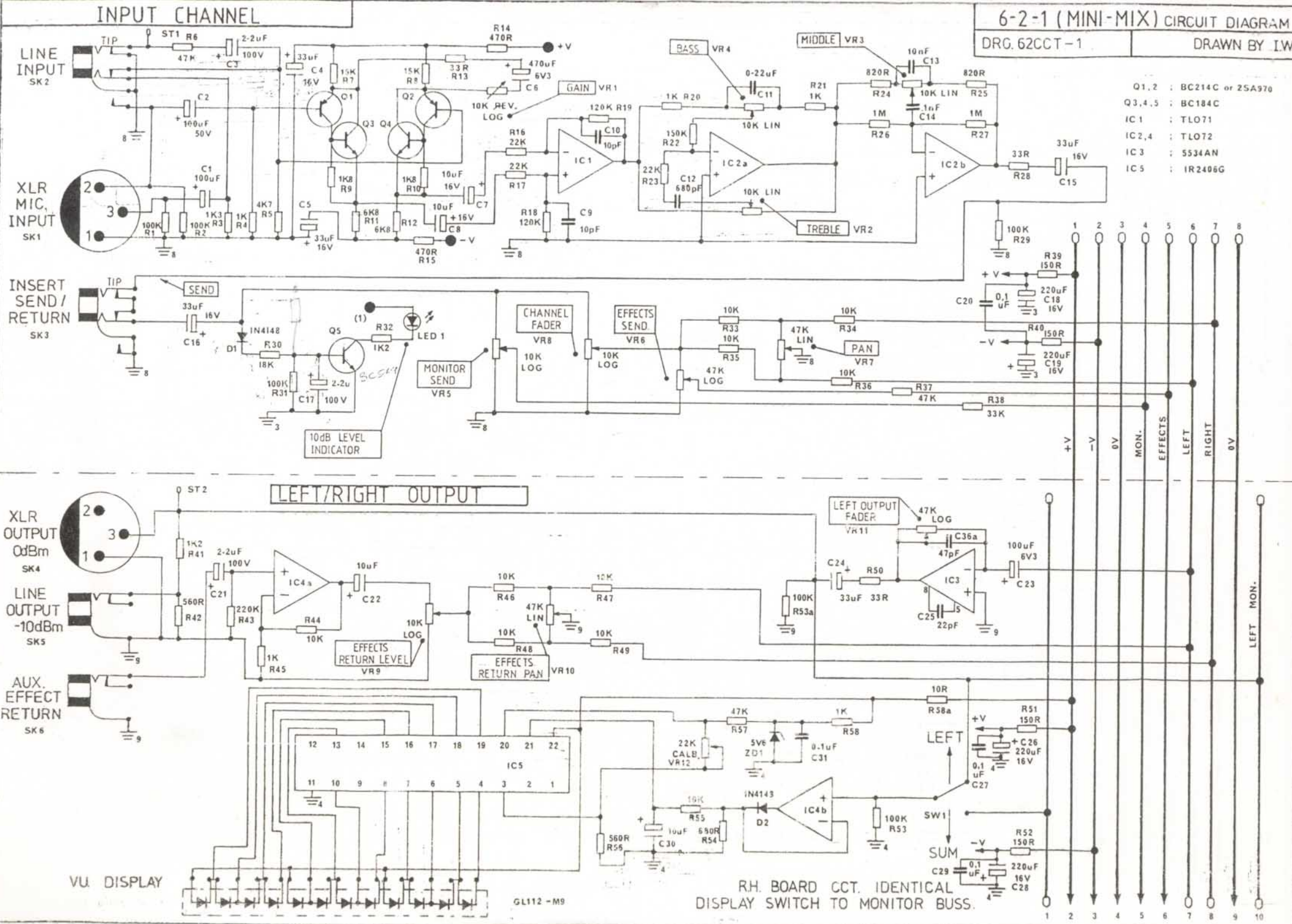


STUDIOMASTER 6-2-1 BLOCK SCHEMATIC

DRAWN BY — P.B.



- Q1,2 : BC214C or 2SA970
- Q3,4,5 : BC184C
- IC 1 : TLO71
- IC 2,4 : TLO72
- IC 3 : 5534AN
- IC 5 : IR2406G



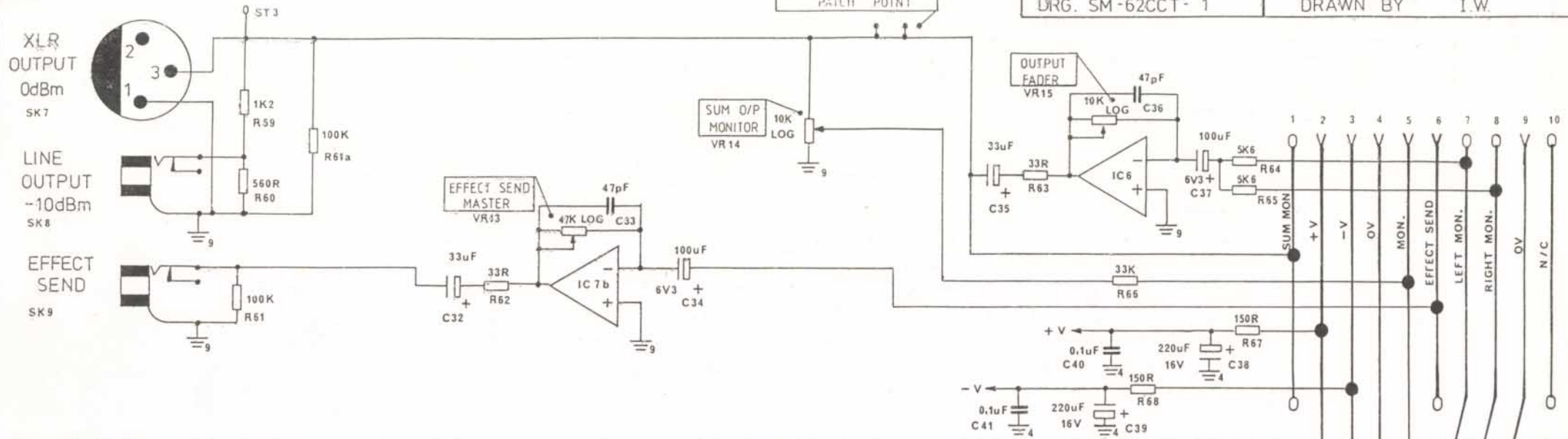
R.H. BOARD CCT. IDENTICAL  
 DISPLAY SWITCH TO MONITOR BUSS.

SUM OUTPUT

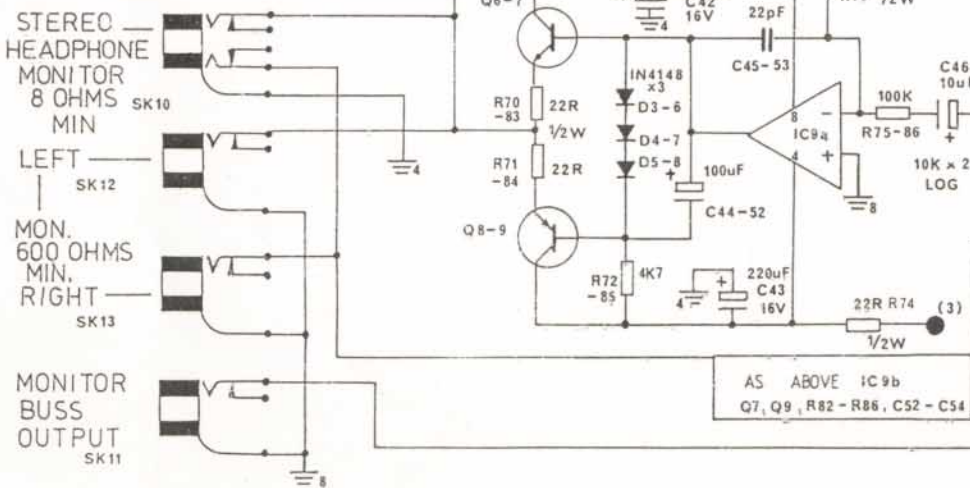
6-2-1 (MINI-MIX) CIRCUIT DIAGRAM

DRG. SM-62CCT-1

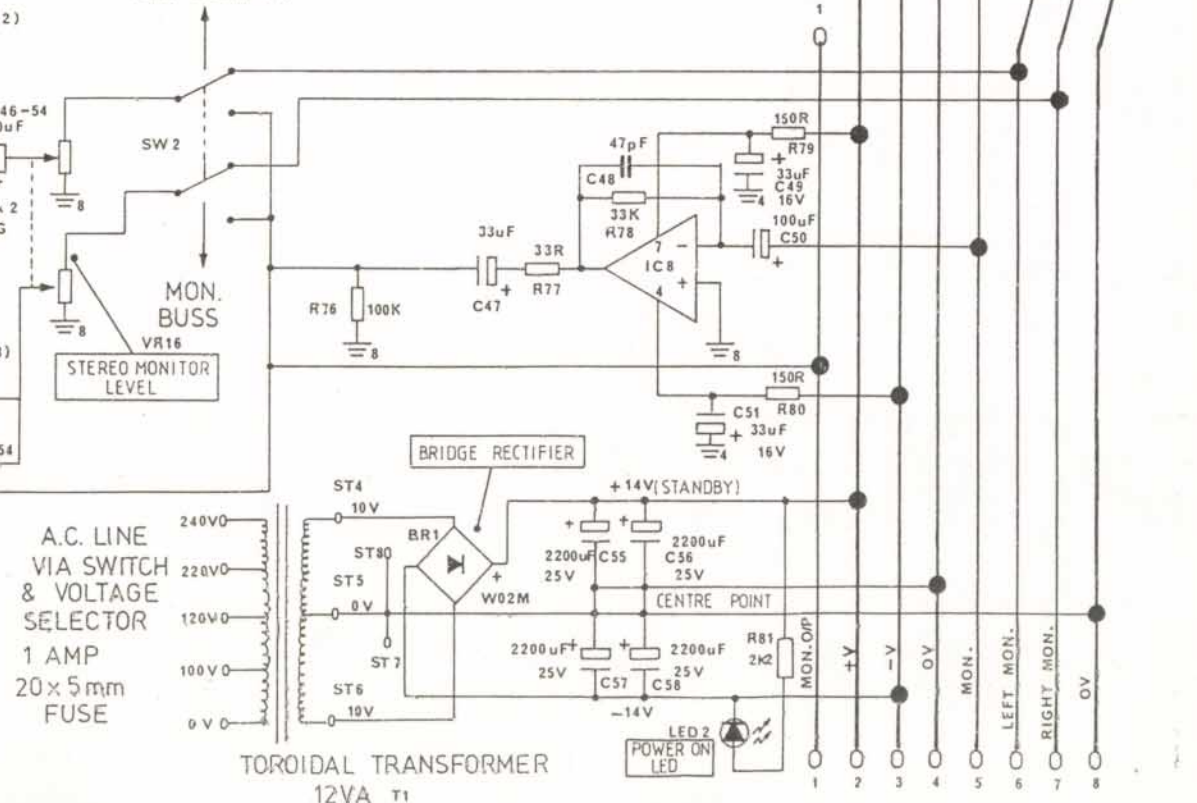
DRAWN BY I.W.



MONITOR OUTPUTS



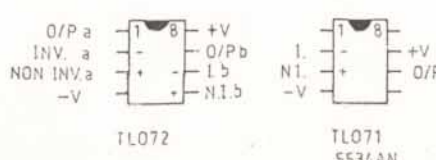
L/R OUTPUT



A.C. LINE VIA SWITCH & VOLTAGE SELECTOR  
1 AMP  
20 x 5 mm FUSE

TOROIDAL TRANSFORMER  
12VA T1

- IC 6, 8 : TL071
- IC 7, 9 : TL072
- Q 6, 7 : BC440
- Q 8 - 9 : BC460



LED 2  
POWER ON LED

A.C. POWER IN

EARTH LOOP ISOLATION

N E L

CHASSIS

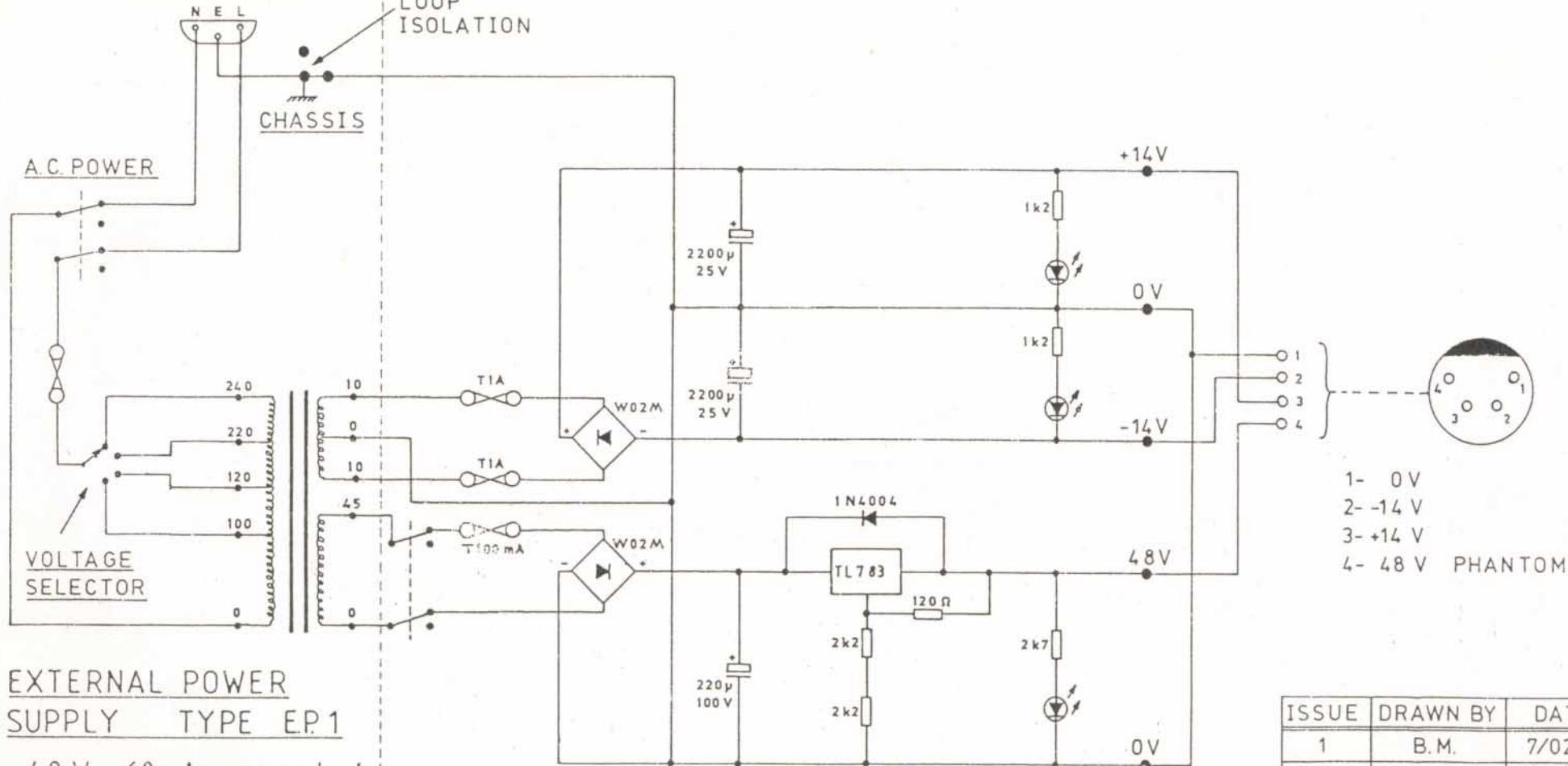
A.C. POWER

VOLTAGE SELECTOR

EXTERNAL POWER SUPPLY TYPE EP.1

+48 V 60mA max. rated  
±14 V 1 A " "

TRANSFORMER



- 1- 0V
- 2- -14V
- 3- +14V
- 4- 48V PHANTOM

ISSUE	DRAWN BY	DATE
1	B.M.	7/02/84

PCB