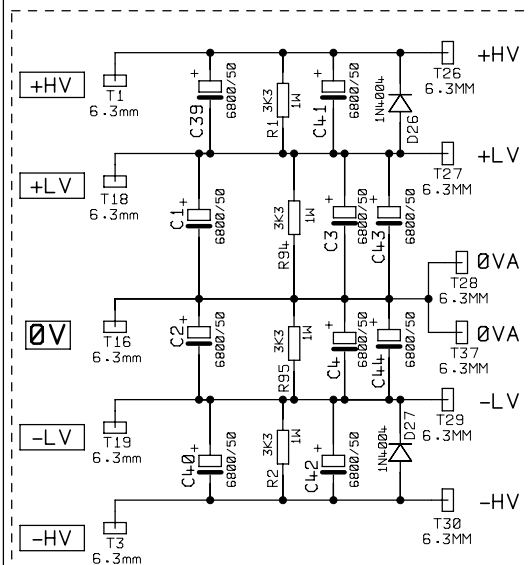
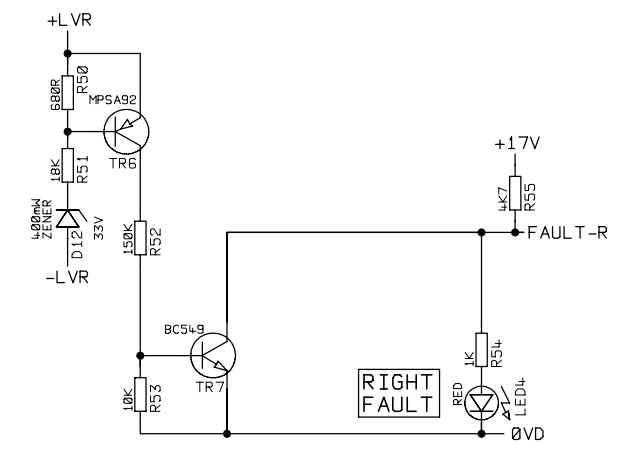
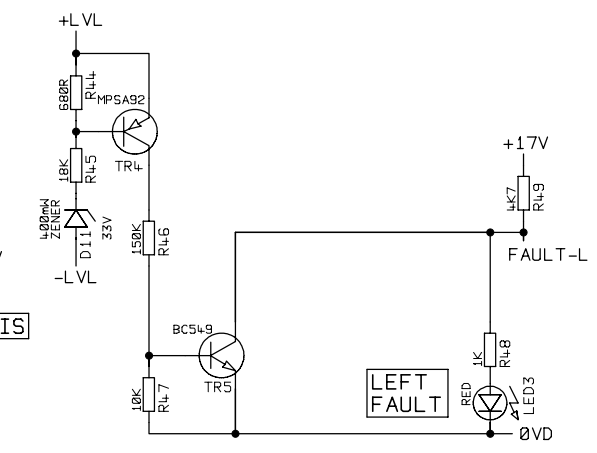
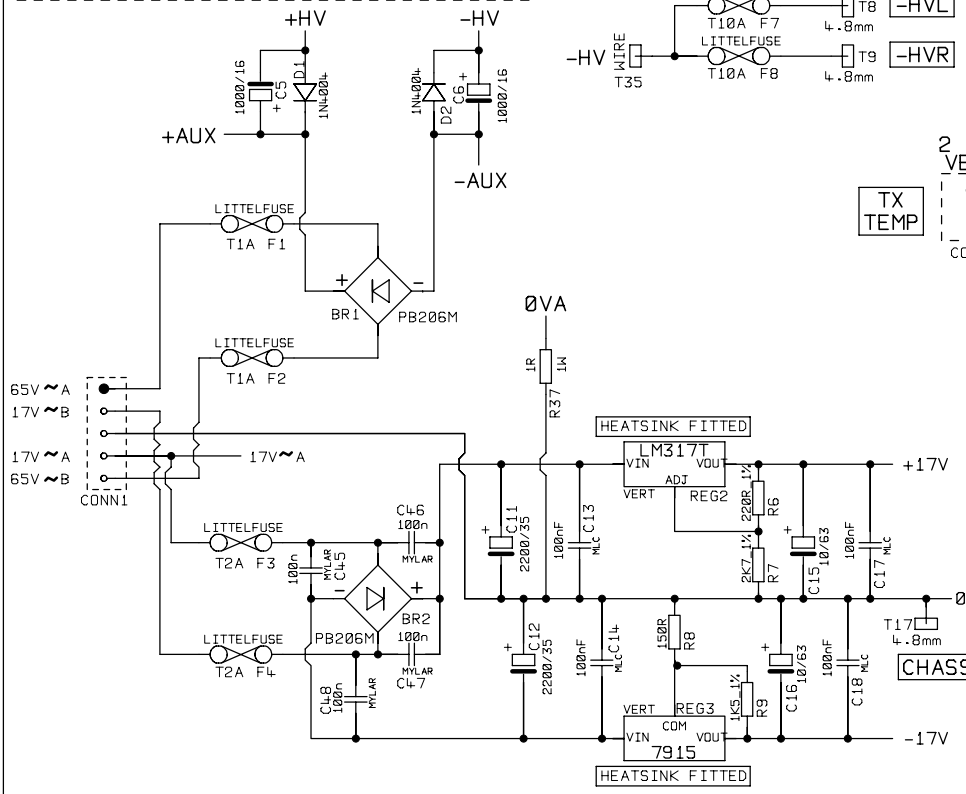
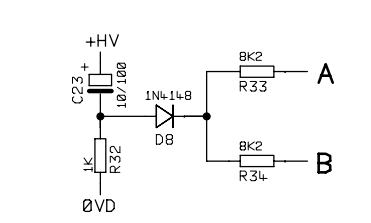
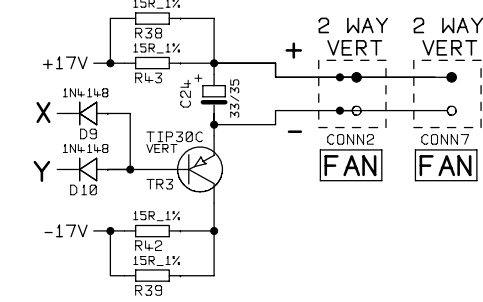
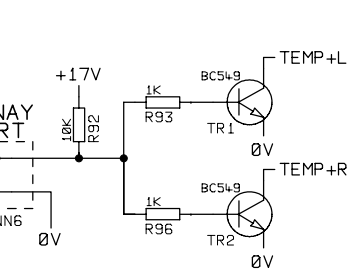
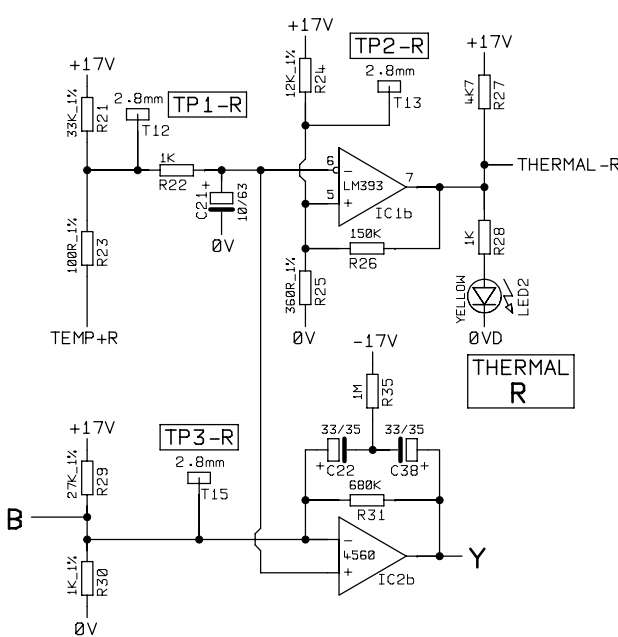
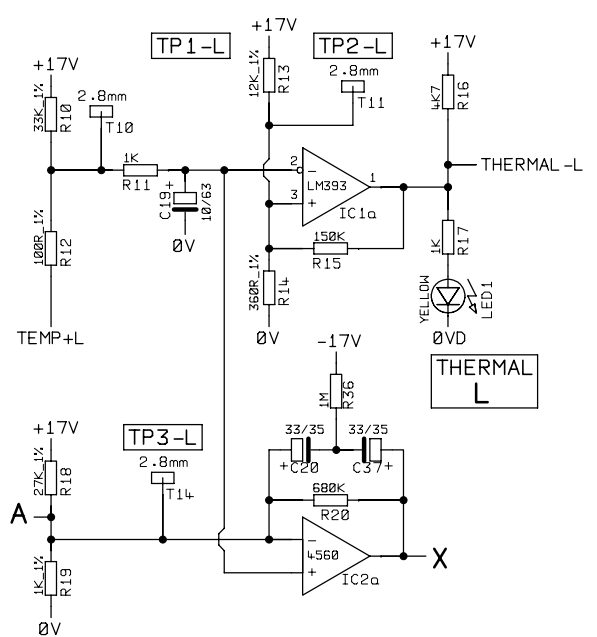
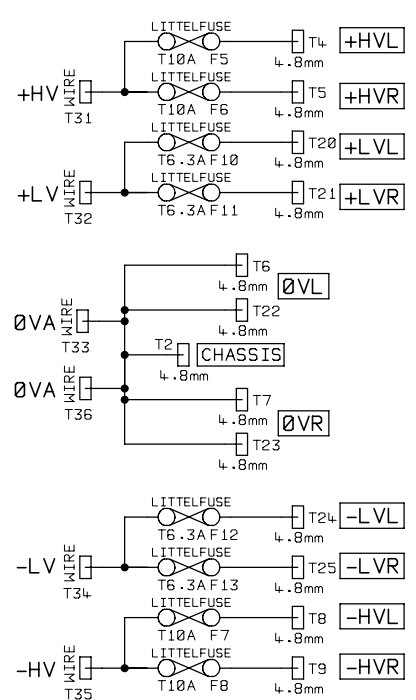


NOTE: JUMPER POSITION JP1 IS MARKED IN FACTORY PRESET POSITION (1500E/2000E)
 NOTE: * = FIT COMPONENTS ON 12 & 1600D VERSION ONLY
 NOTE: # = FIT LINK IN POSITIONS C1 & C4 ON 1600D /2000E VERSION ONLY
 NOTE: # = FIT COMPONENTS R5 & R12 (5K6) ON 1600D /2000E VERSION ONLY

STUDIOMASTER DIAMOND LTD		TITLE		DISPLAY PCB CIRCUIT		FILE NAME	
PRODUCT		700D, 1200D, 1600D		PART 1 OF 1		R2C15-2.DGM	
		900E, 1500E, 2000E		DRN BY		P.A. DATE 18-07-97	
						ISSUE No	
						R2C15-2	



LOCATED ON SUB BOARD

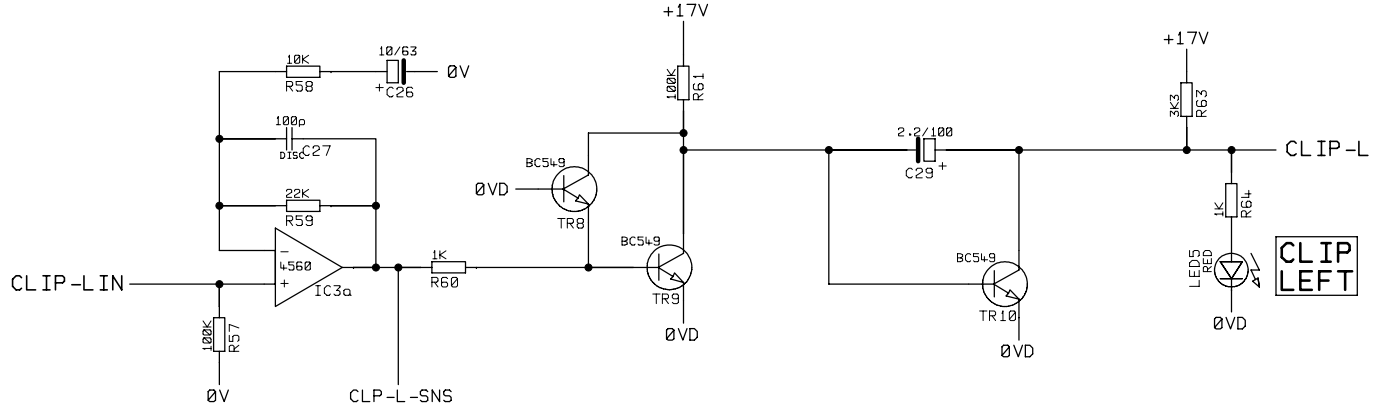
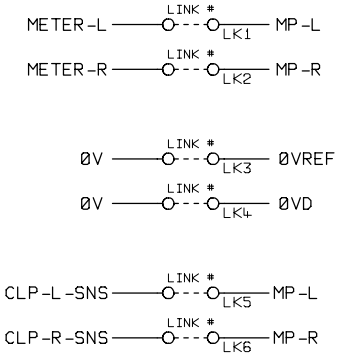
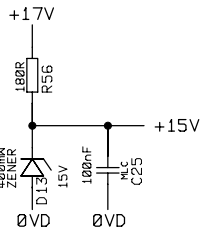


REV A - R14 & R25 CHANGED FROM 430R_1% TO 360R_1%
R13 & R24 CHANGED FROM 15K_1% TO 12K_1%

STUDIOMASTER DIAMOND LTD	
PRODUCT	1600D 2000E
VERSIONS	

TITLE	AMPLIFIER PSU CIRCUIT
PART 1 OF 2	
DRN BY	P.A.
DATE	22-09-99

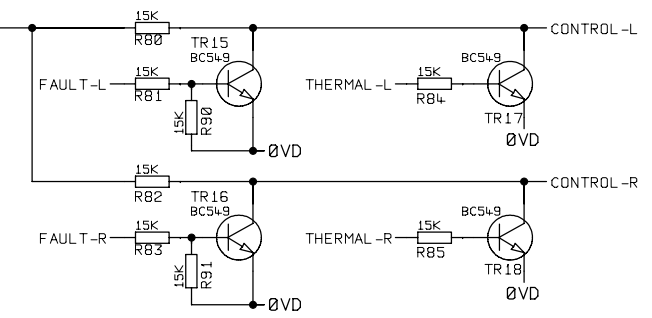
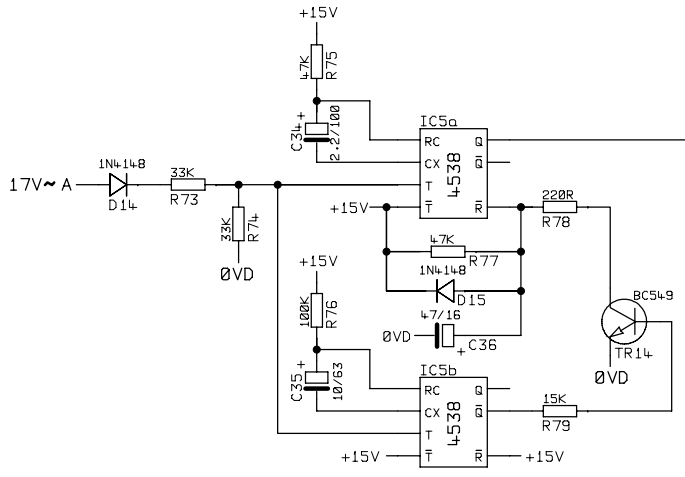
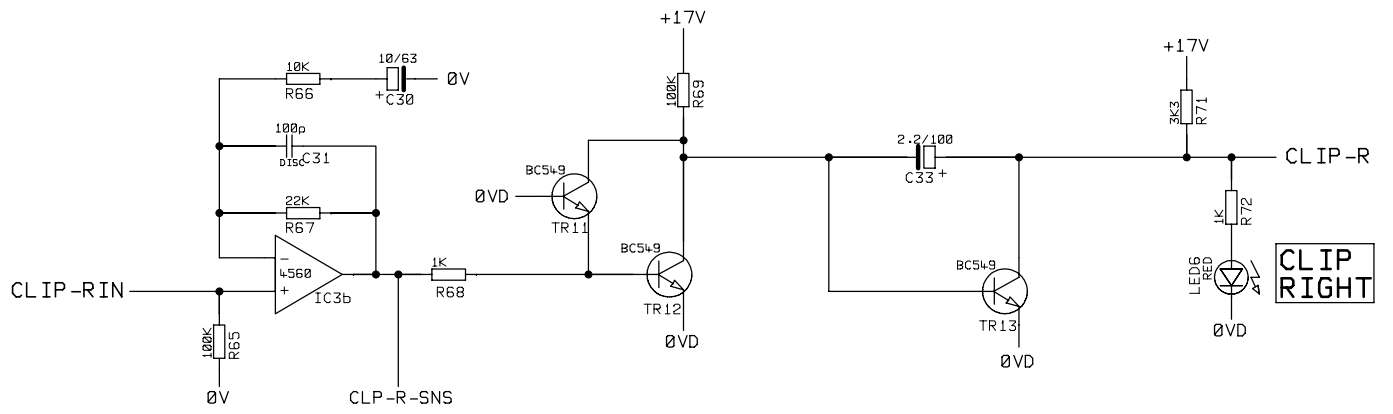
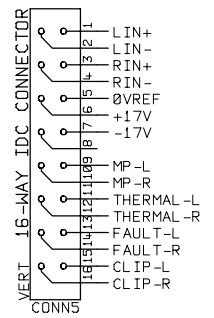
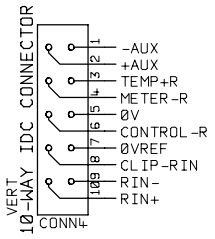
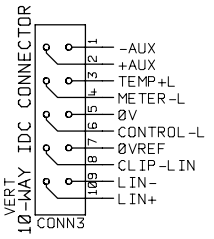
FILE NAME	R2C20A-2.DGM
ISSUE No	R2C20A-2
REV A	



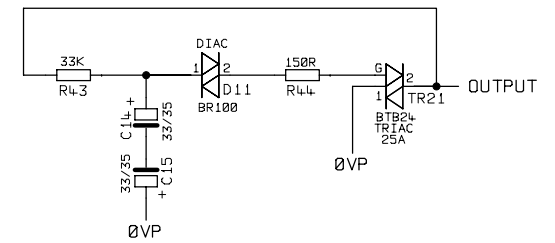
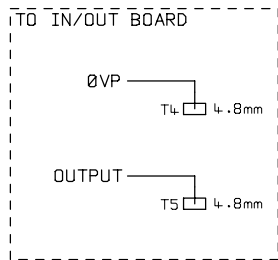
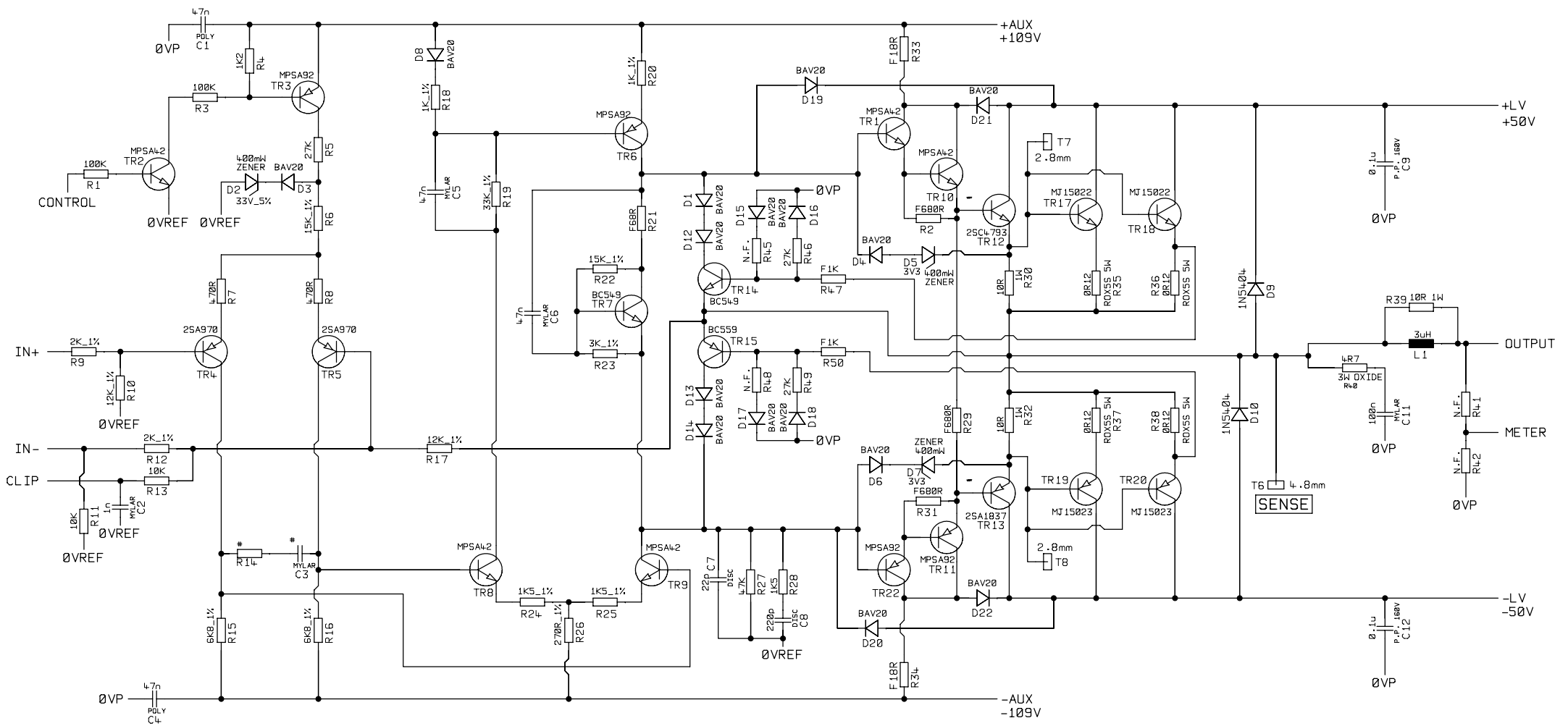
TO LEFT AMP

TO RIGHT AMP

TO IN-OUT BOARD



STUDIOMASTER DIAMOND LTD		TITLE	AMPLIFIER PSU CIRCUIT		FILE NAME	R2C20B-2.DGM	
PRODUCT	1600D 2000E	PART 2 OF 2			ISSUE No	R2C20B-2	
VERSIONS		DRN BY	P.A.	DATE	22-09-99		REV A



NOTE: VOLTAGES MEASURED AT 230V A.C.

REV1 = R4.5, R4.8 39K 5% REMOVED
 R4.7, R5.0 CHANGED FROM 220R 5% TO 220R 5% FUSIBLE
 R2, R31 CHANGED FROM 680R 5% TO 680R 5% FUSIBLE

REV2 = 2200E ADDED TO RANGE, R4.6&R4.9 CHANGED FROM 4K7_1% TO 27K
 R4.7&R5.0 CHANGED FROM F220R TO F1K (FUSIBLE)
 R35, R36, R37, R38 CHANGED FROM 0R15 ROX55 TO 0R12 ROX55

STUDIOMASTER DIAMOND LTD

PRODUCT 1600D 2000E

VERSIONS

TITLE AMPLIFIER AMP CIRCUIT

PART 1 OF 1

DRN BY

P.A.

DATE

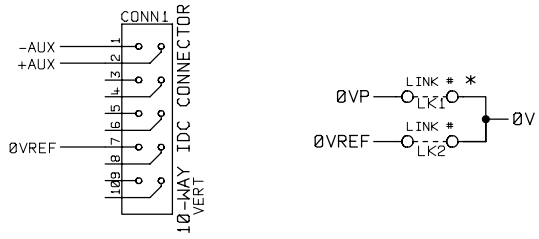
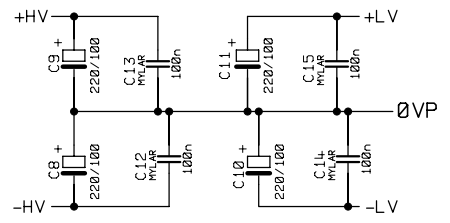
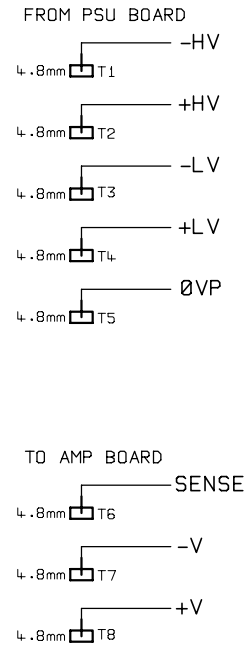
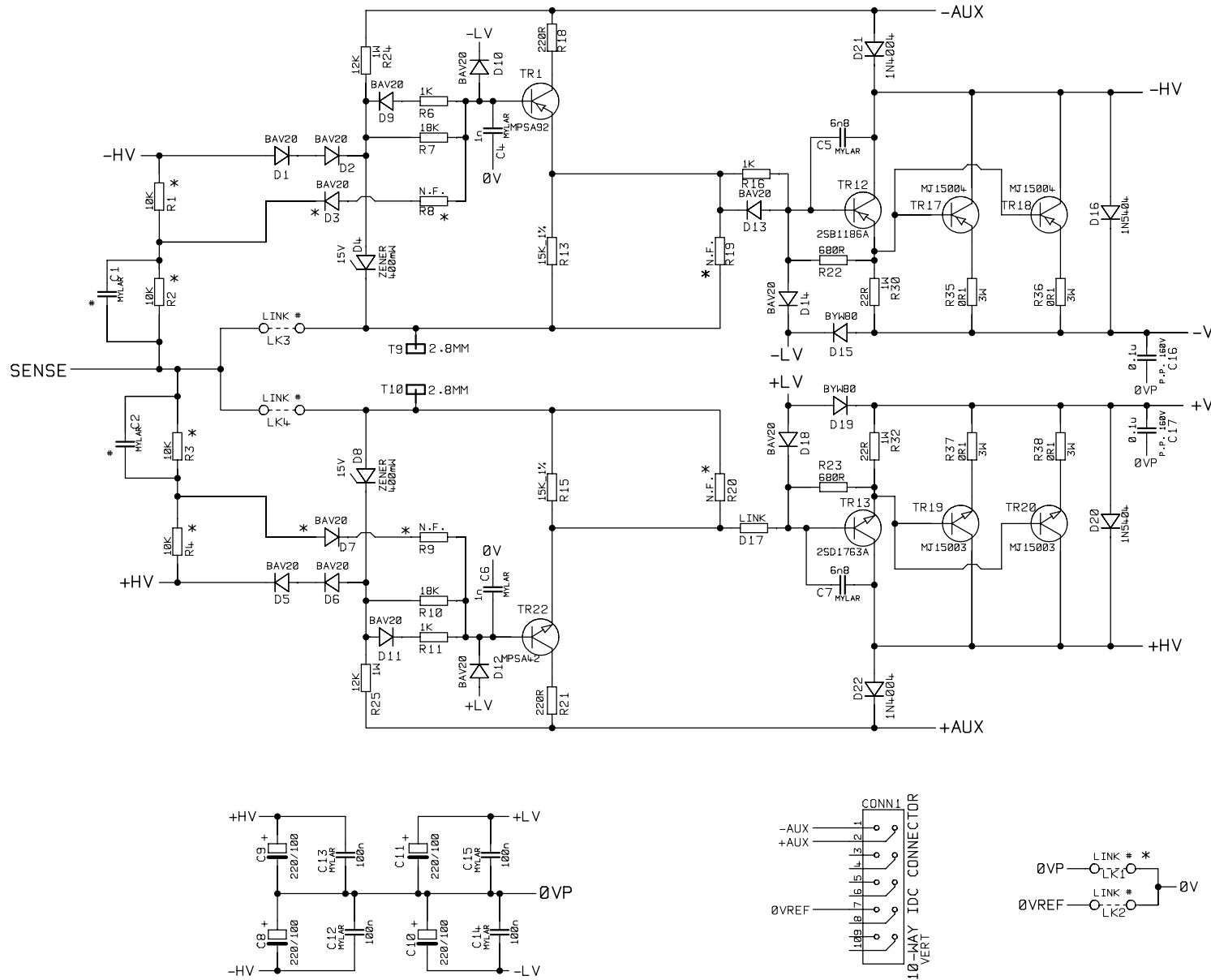
06-09-99

FILE NAME R2C21-1.DGM

ISSUE No

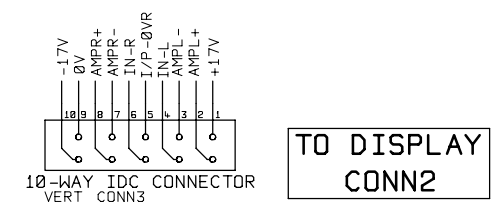
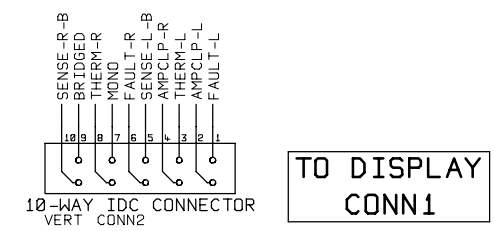
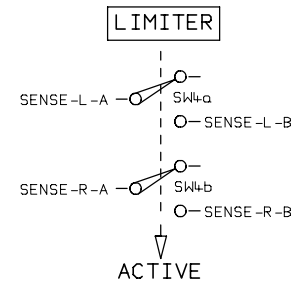
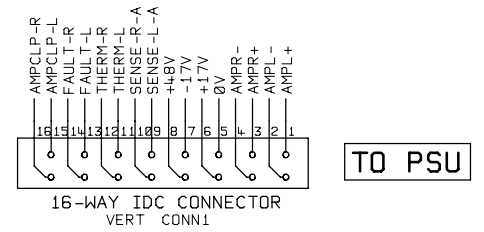
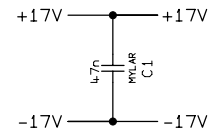
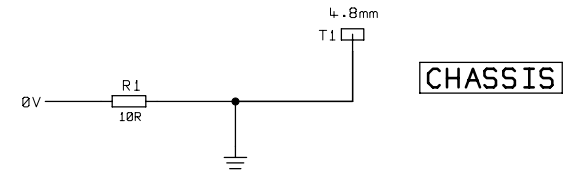
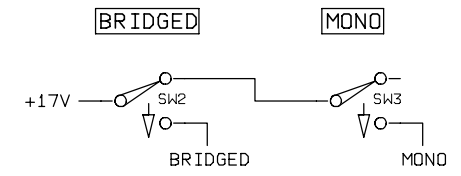
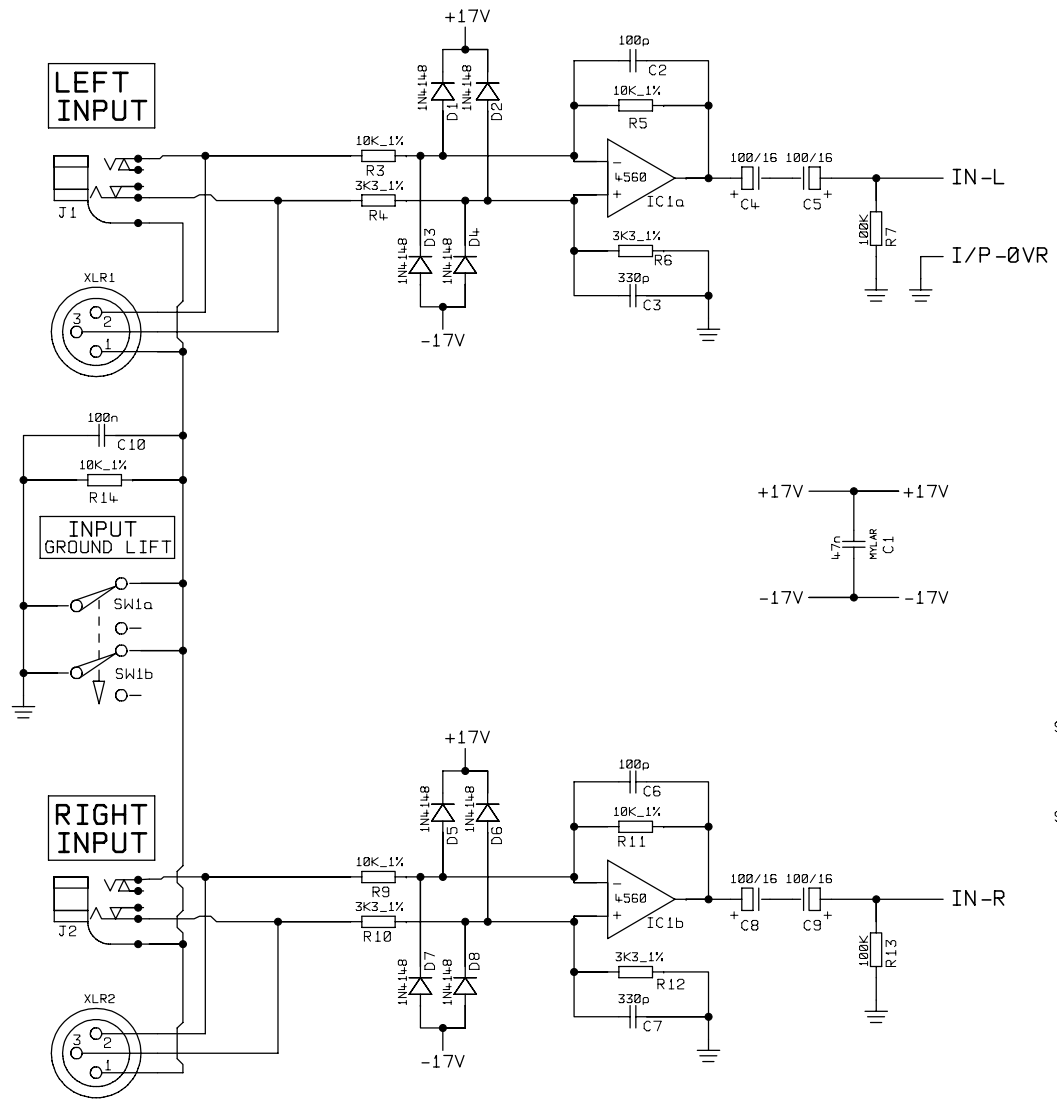
R2C21-1

REV2



* = NOT FITTED COMPONENTS

STUDIOMASTER DIAMOND LTD		TITLE		AMP SWITCHING CIRCUIT		FILE NAME		R2C22-P.DGM	
PRODUCT		1600D 2000E		PART 1 OF 1		ISSUE No		R2C22-P	
VERSIONS				DRN BY		P.A.		DATE	
								06-01-97	
								REV A	



4 = LIMITER SWITCH SW4 RE-LABELLED WITH SENSE-L / SENSE-R
WAS AMPCLP-L / AMPCLP-R

STUDIOMASTER DIAMOND LTD		TITLE		INPUT CIRCUIT DIAGRAM		FILE NAME	
PRODUCT		700D, 1200D, 1600D		PART 1 OF 1		R2C14-4.DGM	
		900E, 1500E, 2000E		DRN BY		ISSUE No	
				P.A.		R2C14-4	
				DATE		25-01-99	