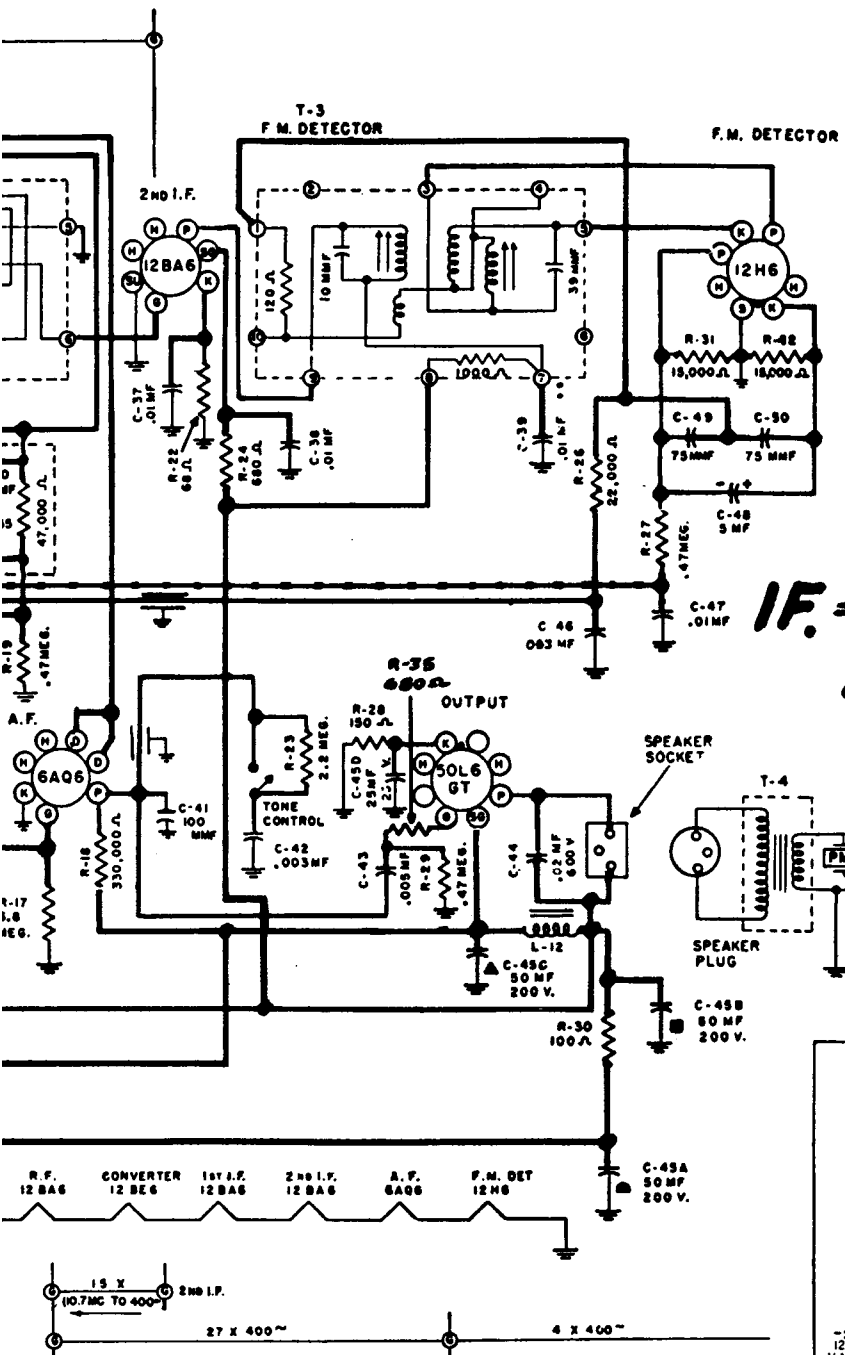


RANGE SWITCH SHOWN IN F M POSITION.
RANGE SWITCH SHOWN VIEWED FROM REAR OF SWITCH.

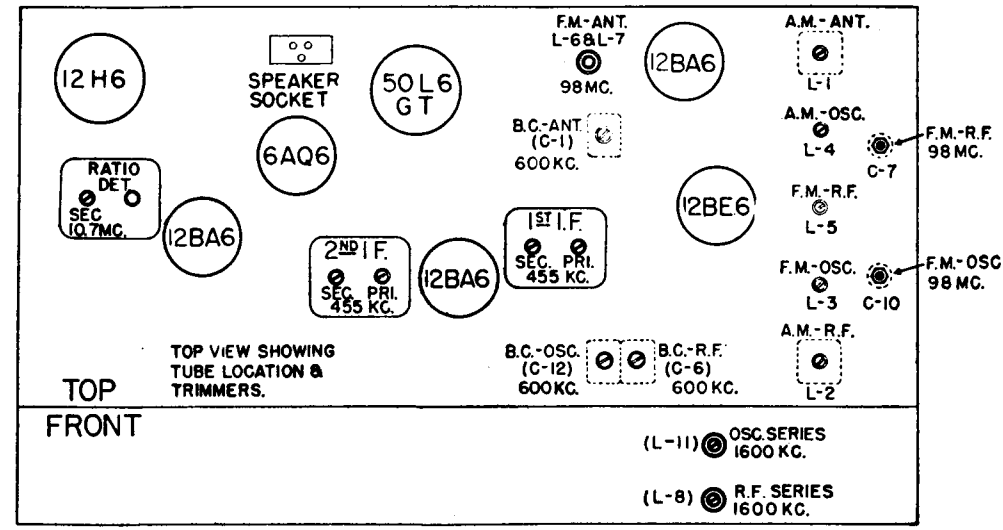
**PARTS LOCATION DATA
ON SHEET 95**

**ALIGNMENT DATA
ON SHEET 96**

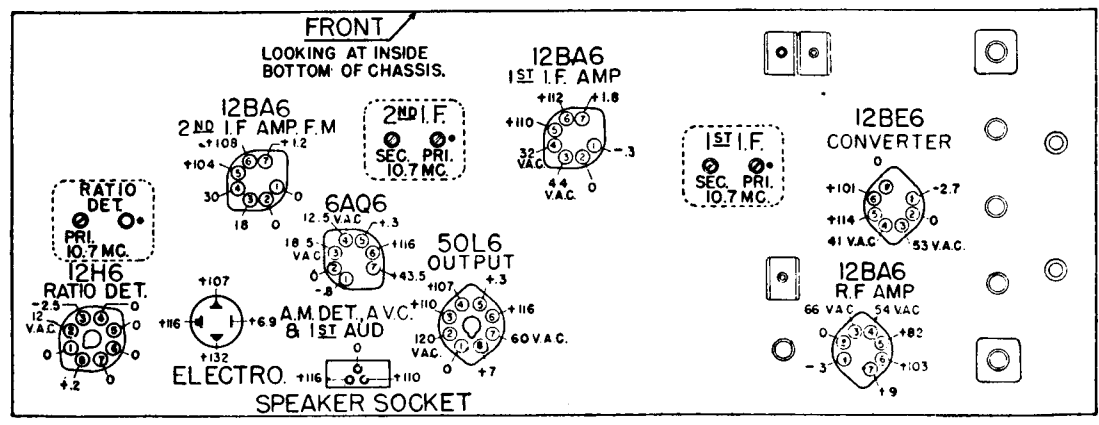
1948-49



**IF = 455 KC
10.7 MC**



AC-DC AM.-FM.-PHONO MODEL 872



1948-49

STROMBERG-CARLSON DATA SHEET 94

ALIGNMENT PROCEDURE 872

Band and Pointer Setting	Generator Setting	Input and Dummy	Meter Connection	Trimmer Adjustment and Notes
--------------------------	-------------------	-----------------	------------------	------------------------------

A.M. I.F. ALIGNMENT

(1) AM Pointer near middle of dial	455 Kc. 30% modulated	.1 mfd. pin #7 of 12BE6 tube	Output meter across voice coil	Adjust iron cores on top side of chassis in I.F. transformers for maximum output. (As aligning adjustments are made, the input must be reduced to keep output at approximately 50 milliwatts).
------------------------------------	-----------------------	------------------------------	--------------------------------	--

FM ALIGNMENT RATIO DETECTOR

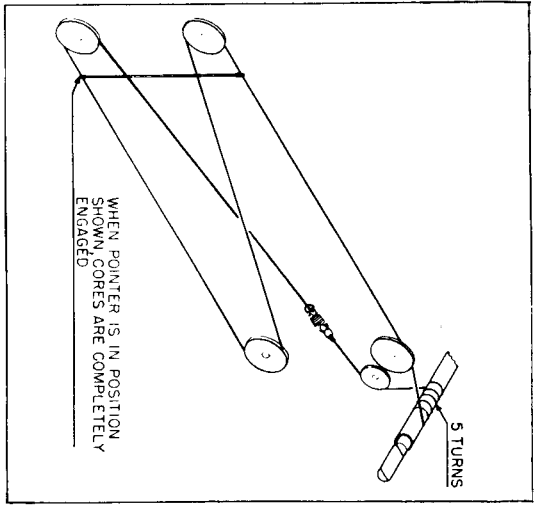
(1) FM Pointer near middle of dial	10.7 Mc. unmodulated at .1 volts	5000 mmfd. pin #1 12BA6 of ratio det driver	V.T.V.M. to junction C47 and R27	Adjust core on underside of ratio detector transformer for maximum output.
(2) " "	" "	" "	V.T.V.M. to junction of C46 and R26	Adjust core on top side of ratio detector transformer for zero reading, making sure further adjustment increases voltage positively or negatively.

(3) Repeat steps (1) and (2) for improvement on readings.

FM I.F. ALIGNMENT

(1) FM Pointer near middle of dial	10.7 Mc. unmodulated	5000 mmfd. pin #7 of 12BE6	V.T.V.M. to junction C47 and R27	Adjust cores on underside of chassis in I.F. transformers for maximum output. Adjust in this order: Primary of input I.F.; secondary of input I.F.; and primary of secondary I.F. Keep adjusting input to 1.5 to 2 volts of V.T.V.M.
------------------------------------	----------------------	----------------------------	----------------------------------	--

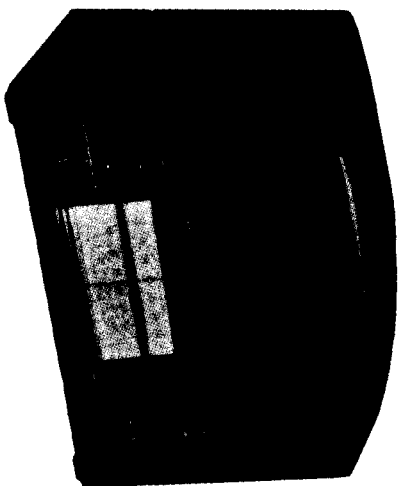
Dial Stringing Chart



SPECIFICATIONS

Voltage Rating 105-125 Volts AC-DC
 Superheterodyne
 Type of Circuit
 Tuning Range A.M.—540 KC.—1600 KC.
 F.M.—88 M.C.—108 M.C.
 Input Power Rating 40 Watts
 Intermediate Frequency A.M. 455 KC. F.M. 10.7 MC.
 Speaker Voice Coil Impedance (PM) 3 Ohms
 Power Output 1.25 Watts at less than 10% distortion

1948-49



CIRCUIT ON SHEET 94
 LOCATION OF PARTS
 ON DATA SHEET 95

ALIGNMENT PROCEDURE 872 Cont'd.

Band and Pointer Setting	Generator Input and Setting	Dummy	Meter Connection	Trimmer Adj. and Notes
--------------------------	-----------------------------	-------	------------------	------------------------

AM R.F. ALIGNMENT

(1) AM 600 Kc. calibration mark	200 mmfd. antenna terminal (loop or substitute must be attached)	Output Meter to voice coil (Set pointer to marker on left end of scale with tuner to extreme low frequency position) Adjust C12, C6 and C1 for maximum output.
---------------------------------	--	--

(2) AM 1600 Kc. calibration mark	" "	Adjust L11 and L8 for maximum output.
----------------------------------	-----	---------------------------------------

(3) AM 1000 Kc. calibration mark	" "	Adjust permeability tuning oscillator coil by means of second screw from front in tuner carriage to bring in signal at 1000 Kc.
----------------------------------	-----	---

(4) " " " "	" "	Adjust RF and antenna permeability tuning cores by means of 1st and 5th screws from front of carriage for maximum output.
-------------	-----	---

FM R.F. ALIGNMENT

FM 99 Mc. 99 Mc. 150 ohm re-Output calibration modulated oscillator each meter across adjust C7 for maximum output, mark 22.5 Kc. terminal voice coil for oscillator pulling. Adjust core of L6 and L7 for maximum output.

- (1) Set underside of inductive tuner carriage to 0.7 inches above the top surface of the inductive tuner mounting bracket.
- (2) Adjust the three broadcast band cores by means of the screw adjustment until the wire end of each core is coincident with the end of its coil form.
- (3) Gyphal adjusting screws to prevent movement.

IF=455 KC. 10.7 MC.

AC

AM-FM-PIONO

MODEL

872

STROMBERG-CARLSON

DATA SHEET

96