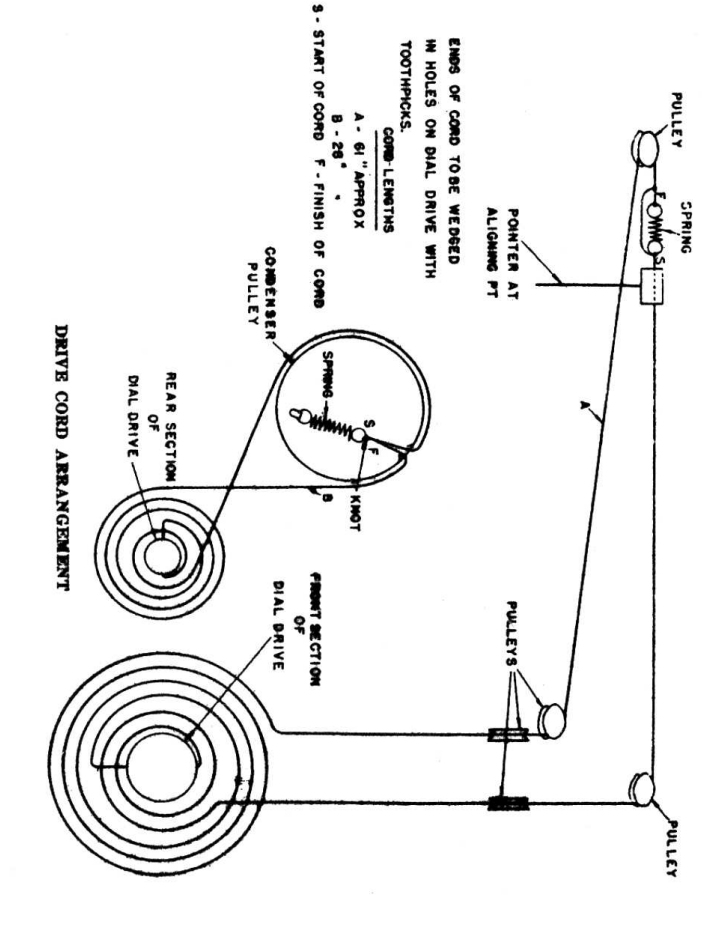
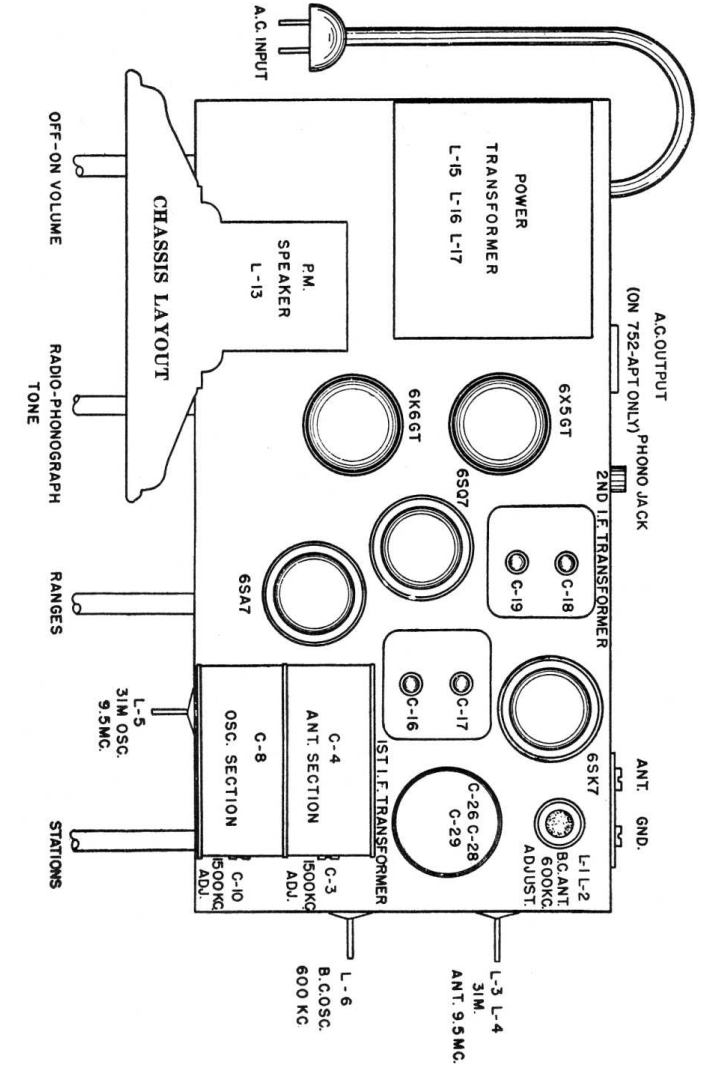


NOTE -
(1) THE AC OUTPUT SOCKET IS USED ON THE 752-APT REC. ONLY.

STROMBERG-CARLSON 752



STROMBERG-CARLSON MODEL 752 ALIGNMENT

Never re-align unless absolutely necessary.

Use a good modulated signal generator (test oscillator with variable output voltage) and a sensitive output meter across the voice coil of the speaker.

Always align using the smallest possible input from the signal generator, as a strong signal makes adjustments inaccurate. Always turn the receiver volume control "full on".

Aligning Procedure (Follow this order exactly):

1. Dial Pointer Adjustment.

With the plates of the gang condenser fully engaged, check to be sure that the dial pointer is in a vertical position directly on the calibration mark located at the low frequency end of the dial scale. It appears as a small gold dot just below the center gold line and the word "Short Wave". Adjust if necessary.

2. Intermediate Frequency Adjustments.

- 2.1 Set the range switch to "BC" broadcast position.
- 2.2 Set the pointer to the extreme low frequency end of the dial.
- 2.3 Connect the ground terminal of the signal generator to the chassis ground terminal.
- 2.4 Introduce a modulated 460 kilocycle signal to the grid of the 6SA7 modulator tube (No. 8 terminal or C) using a .1 mfd. capacitor in series with the output lead of the signal generator.
- 2.5 Adjust the I.F. 460 kc trimmers for maximum output in the following order:
 - A. Secondary of 2nd I.F. transformer C19
 - B. Primary of 2nd I.F. transformer C18
 - C. Secondary of 1st I.F. transformer C17
 - D. Primary of 1st I.F. transformer C16

3. Radio Frequency Adjustments Broadcast Range

- 3.1 Set the range switch to Broadcast "BC".
 - 3.2 Set the signal generator frequency and the receiver tuning dial to 1500 Kc.
 - 3.3 Connect a 200 mmfd. capacitor in series with the antenna lead from the signal generator to the "Ant." terminal on the set, replacing the .1 mfd. capacitor.
 - 3.4 Adjust the "BC" band oscillator trimmer C10 for maximum signal and correct calibration.
 - 3.5 Adjust antenna trimmer C₂ for maximum output. "Rock" the gang to obtain maximum peak.
 - 3.6 Adjust L6 "BC Oscillator 600 kc adjust" for correct calibration and L1, L2 "BC Ant. 600 kc adjust" for maximum sensitivity.
 - 3.7 Repeat 3.4, 3.5, 3.6 until no further improvement of calibration or sensitivity is obtained.
- ## 4. 31 Meter Spreadband Range.
- 4.1 Set the range switch to Shortwave "SW".
 - 4.2 Set the Signal Generator frequency and the receiver tuning dial to 9.500 megacycles.
 - 4.3 Connect a 400 ohm carbon resistor in series with the antenna lead from the Signal Generator to the "Ant." terminal on the set, replacing the 200 mmfd. capacitor.
 - 4.4 Adjust the "31 M Osc. 9.5 mc." adjusting screw L5 for maximum signal and correct calibration.
 - 4.5 Adjust the "31 M Ant. 9.5 mc." adjusting screw L3L4 for maximum output "Rock" the gang to obtain maximum peak.
 - 4.6 Check sensitivity at 9.250 mcs. and 9.750 mcs.

