

MusicParts.Com

Technical Document Distribution

Brand:	Soundcraftsman
Model	PCR-800
Product:	Power Amplifier
Description:	Schematic

Musicparts Document Number: 44711	TechTips: No	Pages: 4	Dated: 1984
-----------------------------------	--------------	----------	-------------

Hello,

Welcome to MusicParts.Com, Inc. your online resource for technical documents and service information. This PDF package may contain information, schematics, parts lists, images, engineering changes, previous versions, circuit descriptions, and many other unique features about the product you have chosen. This document was assembled from a variety of sources and is the result of our many years in the music repair business.

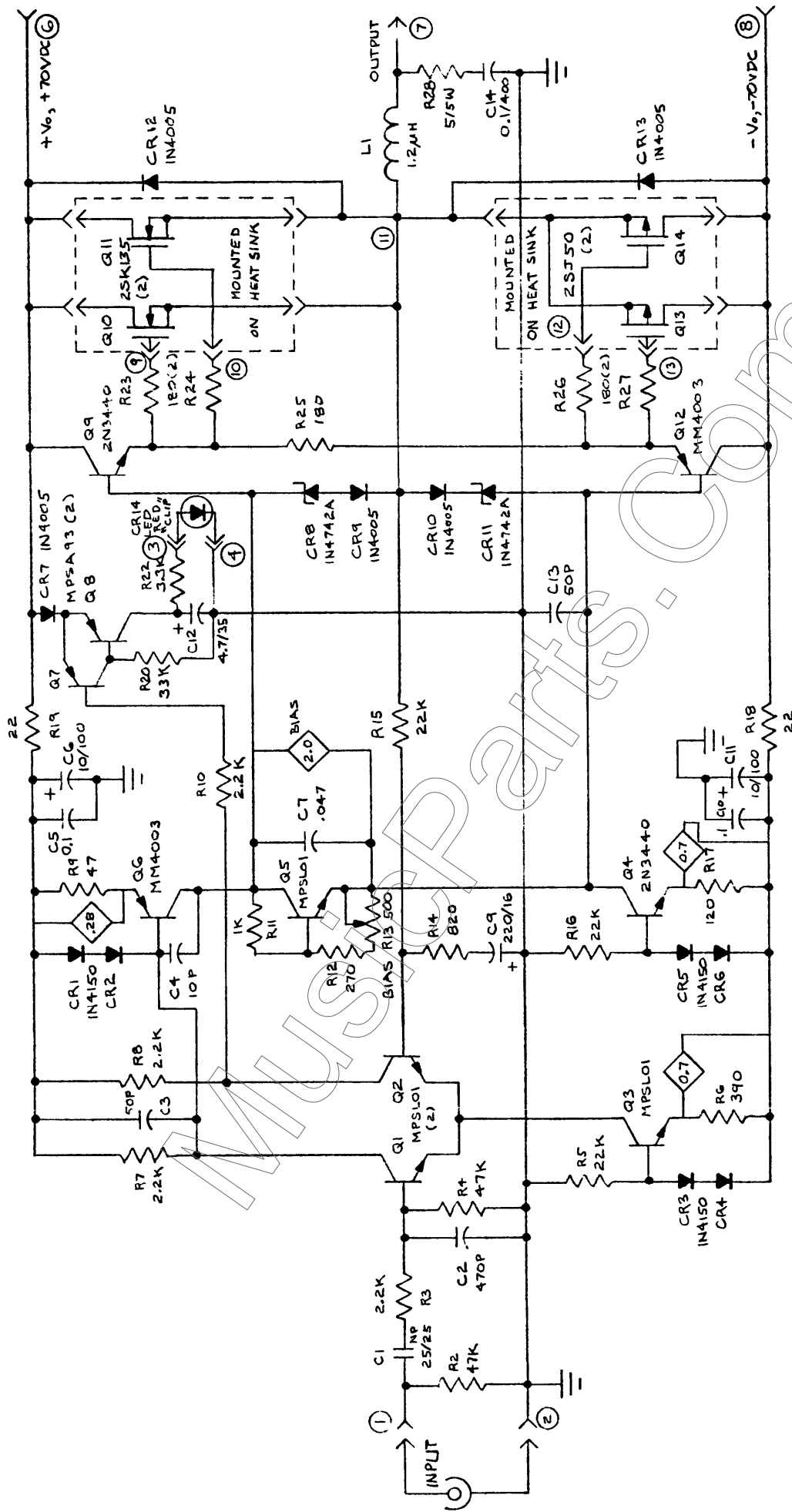
TECHTIPS: Unique to Musicparts documents are **TECHTIPS** located in critical areas on the schematics. They contain useful information about that area of the schematic such as common problems that we have found and recommended changes. Not all documents will have TechTips.

NOTE: Large original over-sized drawings will need to be taped together. We feel this is better than reducing them and losing fine details.

VIEWING: This document is utilizing PAGE-ON-DEMAND downloading. This will let you navigate to any page without waiting for the entire file to download.

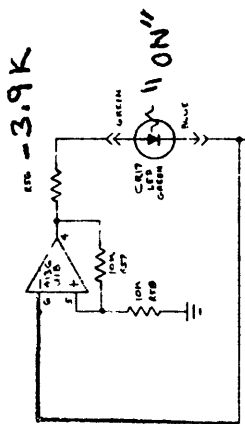
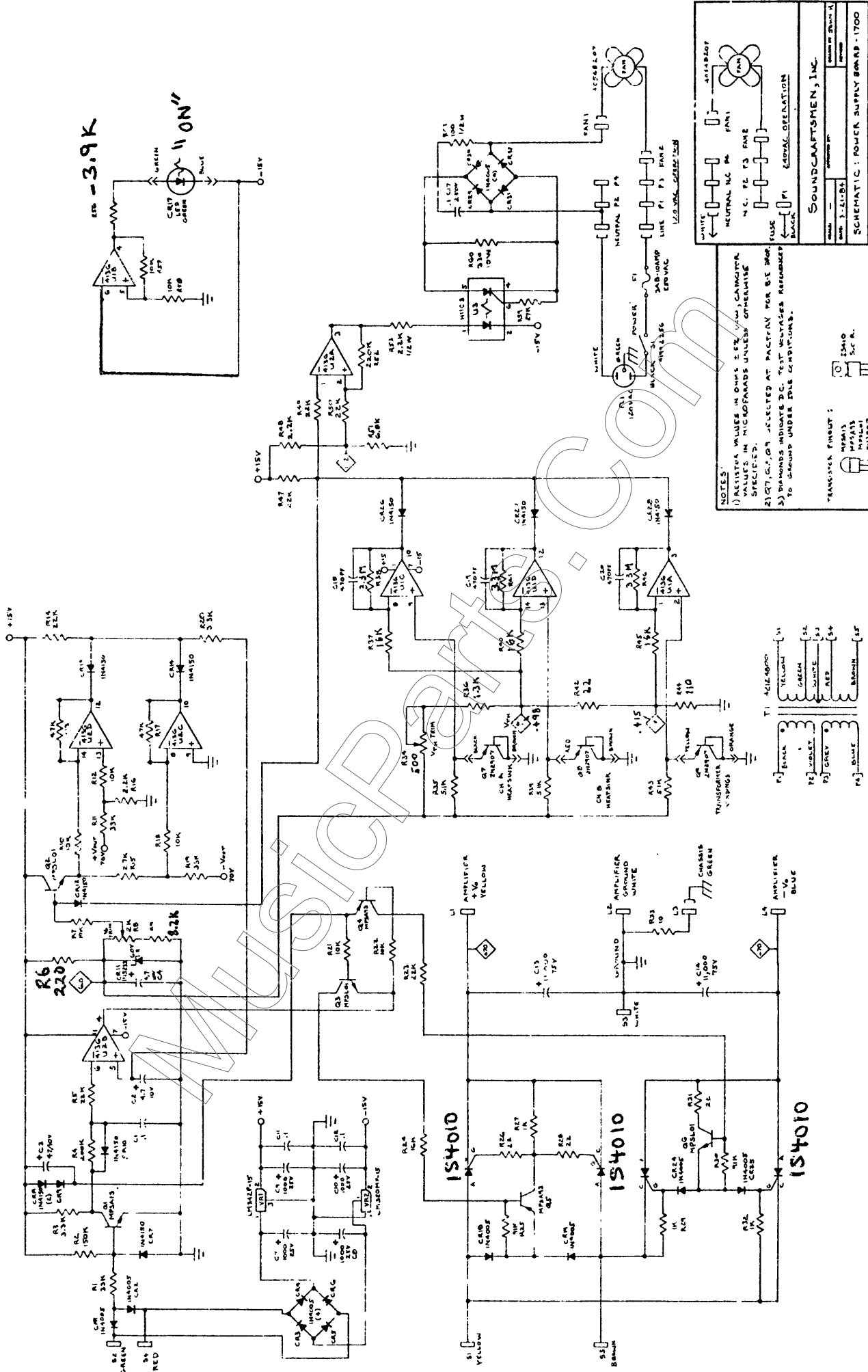
PRINTING: For the best quality, we highly recommend that when the print dialog appears, please **make sure "SHRINK OVERSIZED PAGES " is checked.**, otherwise you may cut off the edge of the page. Also please stay online while printing this document to make sure you get all the pages.

Visit us on the web at: <http://www.musicparts.com/>
Email us at: customerservice@musicparts.com



SOUNDCRAFTSMEN, INC.	
SCALE: —	APPROVED BY: _____
DATE: 3-22-64	DRAWN BY: JOHN J. _____
REVIS	
SCHEMATIC: AMPLIFIER BOARD - 1699	
MODEL: PCR800	
DRAWING NUMBER: 1755	

- 3) ONLY ONE CHANNEL SHOWN.
 2) CAPACITOR VALUES IN MICROFARADS.
 1) RESISTOR VALUES IN OHMS ±5% 1/2W.
 NOTES: UNLESS OTHERWISE SPECIFIED



NOTES:
 1) RESISTOR VALUES IN OHMS UNLESS OTHERWISE SPECIFIED.
 2) Q1, Q2, Q3 SELECTED AT FACTORY FOR BEST PERFORMANCE.
 3) DIODES INDICATE D.C. TEST VALUES REFERENCED TO GROUND UNDER IDLE CONDITIONS.

TRANSFORMER PARTS:
 T1 154010
 T2 110V
 T3 110V
 T4 110V
 T5 110V
 T6 110V
 T7 110V
 T8 110V
 T9 110V
 T10 110V
 T11 110V
 T12 110V
 T13 110V
 T14 110V
 T15 110V
 T16 110V
 T17 110V
 T18 110V
 T19 110V
 T20 110V
 T21 110V
 T22 110V
 T23 110V
 T24 110V
 T25 110V
 T26 110V
 T27 110V
 T28 110V
 T29 110V
 T30 110V
 T31 110V
 T32 110V
 T33 110V
 T34 110V
 T35 110V
 T36 110V
 T37 110V
 T38 110V
 T39 110V
 T40 110V
 T41 110V
 T42 110V
 T43 110V
 T44 110V
 T45 110V
 T46 110V
 T47 110V
 T48 110V
 T49 110V
 T50 110V
 T51 110V
 T52 110V
 T53 110V
 T54 110V
 T55 110V
 T56 110V
 T57 110V
 T58 110V
 T59 110V
 T60 110V
 T61 110V
 T62 110V
 T63 110V
 T64 110V
 T65 110V
 T66 110V
 T67 110V
 T68 110V
 T69 110V
 T70 110V
 T71 110V
 T72 110V
 T73 110V
 T74 110V
 T75 110V
 T76 110V
 T77 110V
 T78 110V
 T79 110V
 T80 110V
 T81 110V
 T82 110V
 T83 110V
 T84 110V
 T85 110V
 T86 110V
 T87 110V
 T88 110V
 T89 110V
 T90 110V
 T91 110V
 T92 110V
 T93 110V
 T94 110V
 T95 110V
 T96 110V
 T97 110V
 T98 110V
 T99 110V
 T100 110V

SOUND CRAFTSMEN, INC.
 MODEL: PCR800 AMPLIFIER
 SERIAL: 1774
 SCHEMATIC: POWER SUPPLY BOARD - 1700
 PARTS LIST: SEE PARTS LIST
 DATE: 3-21-68
 DRAWN BY: [Name]
 CHECKED BY: [Name]
 APPROVED BY: [Name]

PCR800-Serial # R546608 & above

